



This document is brought to you through the kind services of

Kevin Wright

krwright@wankel.net

<http://www.wankel.net/~krwright>

who laboriously scanned, post-processed, Distilled, and organized the original 1984 (October 1983 printing) wiring diagram provided by Dave Bruce from the Early Mazda Rotaries (AKA SA22C, neé FB) email list. (Thanks, Dave!)

There are several ways to get around in the document. I have provided Bookmarks to all the sections and subsections, and the Table of Contents is hot-linked as well. Thumbnails are also provided in the Thumbnails side bar.

Several of the pages in the original document were of the fold-out variety. These pages have been provided in full sheet and segmented versions, as indicated in the Bookmarks. These pages probably should be printed out on 11" x 17" paper if available (some of them were actually *longer* than 17"!), but most are still readable on 8.5" x 11" paper. You could also print out the segmented versions and attach them together, if so desired (or not.)

I have also included a label for the spine of a binder, for those who wish to print out all 70-odd pages and keep a dead-tree edition handy. ☺

The original document is © 1984 Toyo Kogyo Co., Ltd., and remains so. This version is provided as a service for owners of first generation Mazda RX-7s who are having a devil of a time locating the factory wiring guide for a reasonable price.

Subscribe to the Early Mazda Rotaries email list:
Send an email with "subscribe" (without the quotes) to list-request@sa22c.org

See <http://www.dfw-rx7.com> for information on the DFW-RX7 email list.

05/09/02

Mazda RX-7

1984
Wiring Diagram

mazda

Mazda RX-7

1984

Wiring Diagram

FOREWORD

This wiring diagram incorporates the wiring schematic for the basic vehicle and its available optional equipment. Actual vehicle wiring may vary slightly depending upon optional equipment and/or local specifications. All information contained in this booklet is based on the latest information available at the time of printing. Toyo Kogyo reserves the right to make changes without previous notice.

Toyo Kogyo Co., Ltd.
HIROSHIMA, JAPAN

This manual is applicable from the following chassis number.

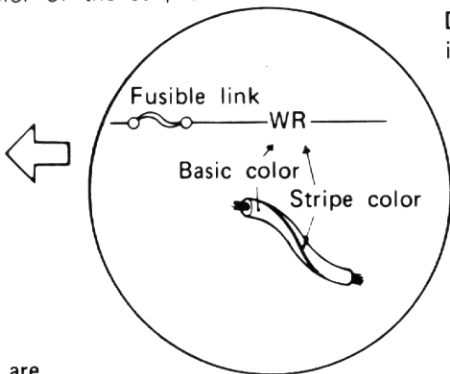
JM1FB331 * EO-800001

SECTION INDEX	
Name	Section
<ul style="list-style-type: none"> ■ How to use this wiring diagram ■ Symbol in this wiring diagram 	O
<ul style="list-style-type: none"> ■ Component list 	CL
<ul style="list-style-type: none"> ■ Electrical wiring schematic [For 12A Engine] 	W-1
<ul style="list-style-type: none"> ■ Electrical wiring schematic [For 13B Engine] 	W-2
<ul style="list-style-type: none"> ■ Starting system ■ Sub-zero motor ■ Over drive system (For A/T) ■ Kick down solenoid (For A/T) [For 12A Engine] ■ Charging system ■ Hot start motor 	A-1
<ul style="list-style-type: none"> ■ Starting system ■ Sub-zero motor [For 13B Engine] ■ Charging system 	A-2
<ul style="list-style-type: none"> ■ Emission control system ■ Ignition system ■ Fuel pump [For 12A Engine] 	B-1
<ul style="list-style-type: none"> ■ E.G.I. & emission control system ■ Ignition system ■ Fuel pump [For 13B Engine] 	B-2
<ul style="list-style-type: none"> ■ Meters & warning lights 	C
<ul style="list-style-type: none"> ■ Wiper & washer ■ Rear window defroster 	D
<ul style="list-style-type: none"> ■ Headlights ■ Headlights retractable system ■ Headlights cleaner ■ Illumination lights ■ Front & rear side marker lights ■ Storage box lights ■ Front parking lights ■ Tail lights ■ Glove box light ■ License lights 	E
<ul style="list-style-type: none"> ■ Turn & hazard flasher lights ■ Horn ■ Back-up lights ■ Stop lights 	F
<ul style="list-style-type: none"> ■ Air conditioner 	G-1
<ul style="list-style-type: none"> ■ Air conditioner [For U.S.A. air con] 	G-2
<ul style="list-style-type: none"> ■ Lights off reminder buzzer ■ Door lock cylinder & ignition key cylinder lights ■ Ignition key reminder buzzer ■ Interior & spot lights ■ Luggage compartment light ■ Seat belt warning buzzer ■ Auto clock 	H
<ul style="list-style-type: none"> ■ Glass hatch release solenoid ■ Fuel-door release solenoid ■ Power window ■ Cigarette lighter ■ Remote control mirror 	I
<ul style="list-style-type: none"> ■ Audio system 	J
<ul style="list-style-type: none"> ■ Cruise control system ■ Power steering control solenoid 	K
<ul style="list-style-type: none"> ■ Common connector list 	X

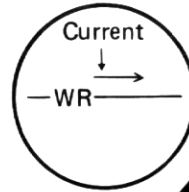
WIRING COLOR CODE

Wiring color code is indicated with alphabetical letter/s. The first letter indicates the basic color of the wire, and second letter (if any) indicates that the color of the stripe.

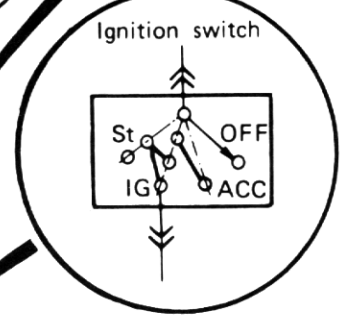
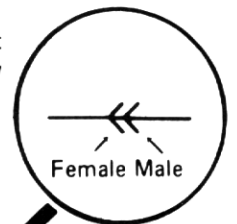
CODE	COLOR	CODE	COLOR
B	Black	Lg	Light green
Br	Brown	O	Orange
G	Green	R	Red
L	Blue	Y	Yellow
Lb	Light blue	W	White



Direction of current is shown by the arrow

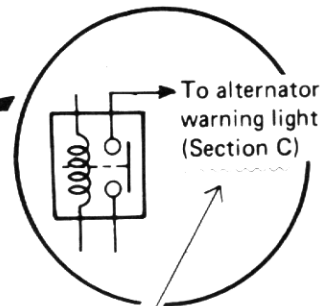
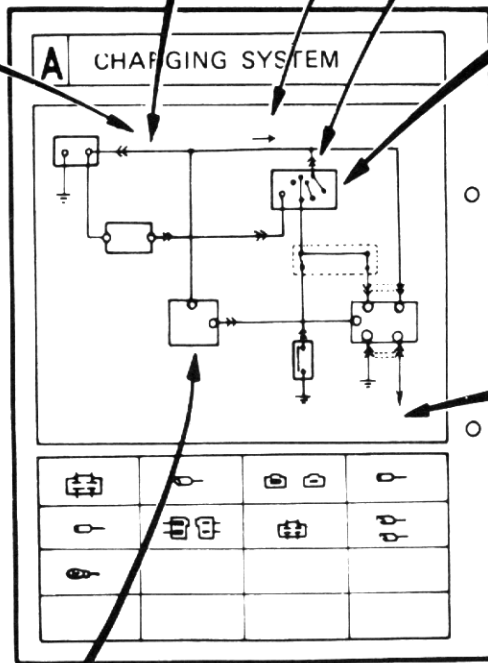
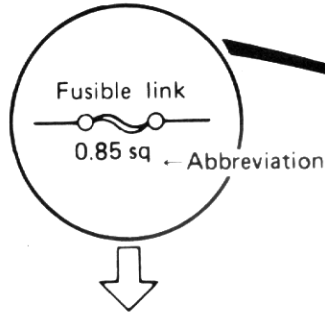


CONNECTOR



Circuit is shown with the ignition switch off.

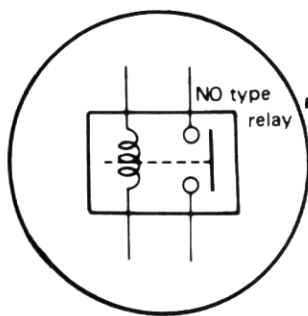
The same fusible link and fuses are indicated on each page.



Legend in the parenthesis () indicates the reference section.

ABBREVIATIONS USED IN THIS BOOKLET

Abbr.	Term	Abbr.	Term
St	Start	A	Ampere
IG	Ignition	W	Watt
ACC	Accessory	R	Resistance
AS	Auto stop	Tr	Transistor
INT	Intermittent	M	Motor
Lo	Low	SW	Switch
Mi	Middle	Sq	Square per millimeter
Hi	High		
R.H.	Right hand	A/T	Automatic transmission
L.H.	Left hand		
F.R	Front right	M/T	Manual transmission
F.L	Front left		
R.R	Rear right	NO	Normal opened
R.L	Rear left	NC	Normal closed
V	Volt		



The relays and switches are identified as NC (normal closed), or NO (normal opened), to indicate their normal position when they are not in operation.

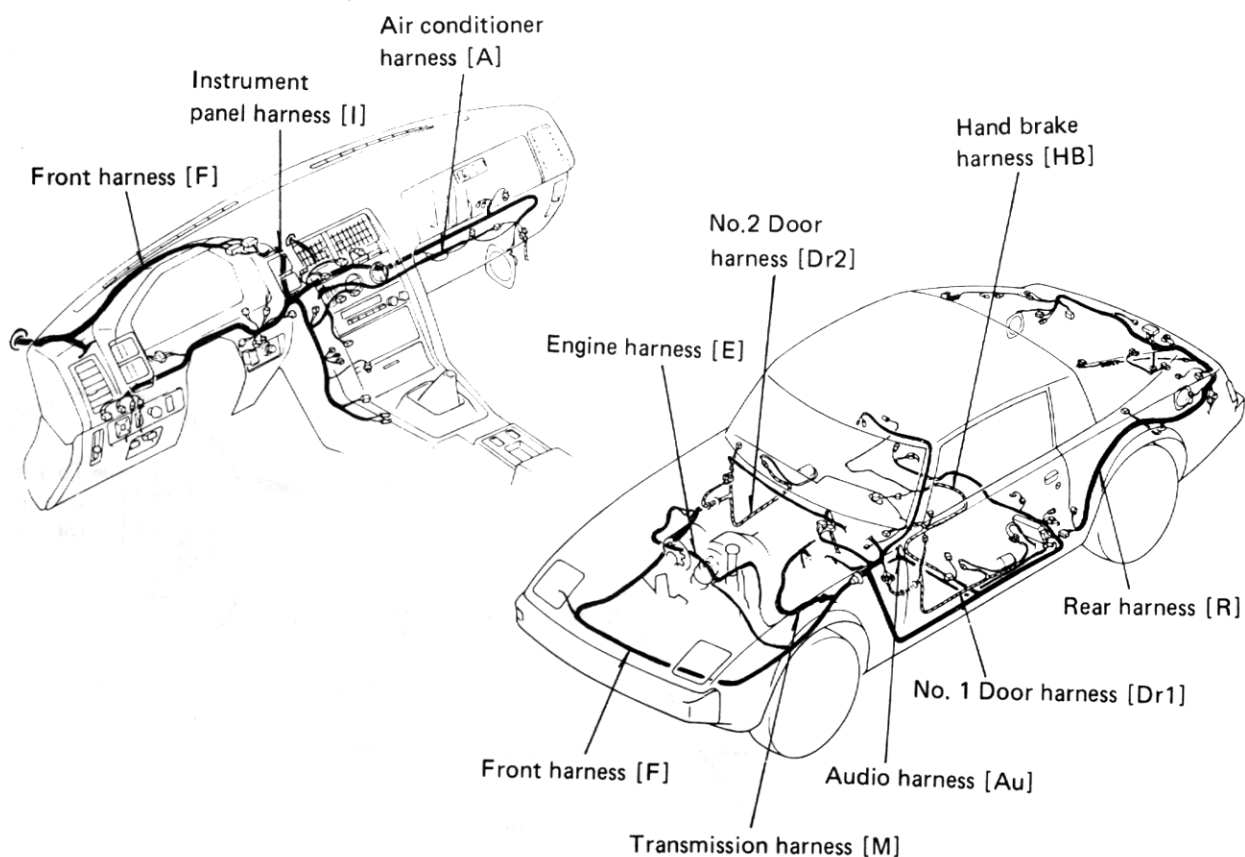
	Relay		Switch	
	NO type relay	NC type relay	NO switch	NC switch
Not in operation				
In operation				

0 HOW TO USE THIS WIRING DIAGRAM

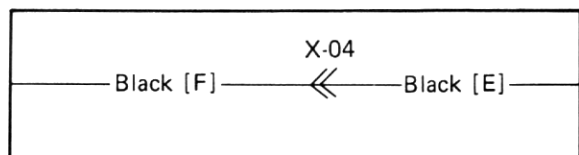
HARNESS SYMBOLS

Each harness is distinguished by a symbol to indicate to which harness belong a wiring and connector in circuit diagrams and connector charts.

DESCRIPTION OF HARNESS	SYMBOL	DESCRIPTION OF HARNESS	SYMBOL
Front harness	[F]	Hand brake harness	[HB]
Engine harness	[E]	No. 1 Door harness	[Dr1]
Instrument panel harness	[I]	No. 2 Door harness	[Dr2]
Rear harness	[R]	Audio harness	[Au]
Transmission harness	[M]	Air conditioner harness	[A]



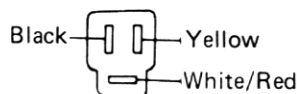
EXAMPLE OF CIRCUIT DIAGRAM



- * It is seen from the above that the male-side black line of the X-04 shows the engine harness and the female-side black line shows the front harness.
- * It is seen from the above that the X-04 connector is a connector connecting the engine and the front.

EXAMPLE OF CONNECTOR

C-03 Fuel Tank Gauge unit [R]

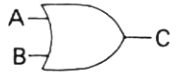
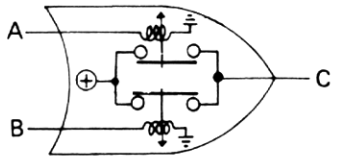
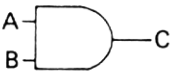
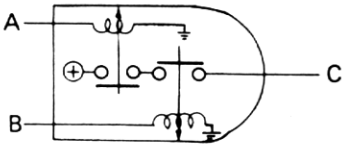
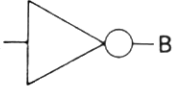
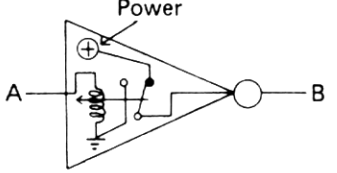

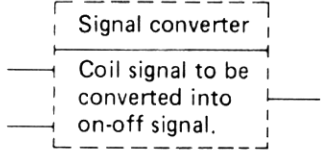


- * It is seen from the above that this connector (C-03) is on the Rear harness.

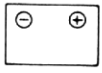
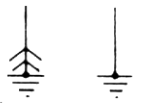
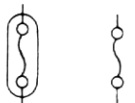




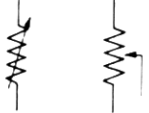



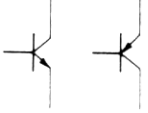
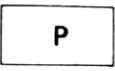

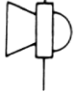
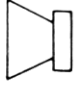


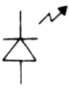

SYMBOLS IN THIS WIRING DIAGRAM

LOGICAL SYMBOLS

The logical symbols are of four kinds : OR, AND, INV. (Inverter), PROCESS.
The circuit operation can be easily read by understanding these symbols.

<p>OR</p> 	<p>In case of input to either A or B, an output comes out from C. When A and B are in a low voltage (0V), no output comes from C (0V). When either A or B is in a high voltage (12V), an output comes out from C (12V). This can be simply shown in the relay circuit on the right-hand side.</p>	
<p>AND</p> 	<p>In case of input to both A and B, an output comes out from C. When A and B are in a high voltage (12V), an output comes from C (12V). When either A or B is in a low voltage (0V), no output comes from C (0V). This can be simply shown in the relay circuit on the right-hand side.</p>	
<p>INV. (Inverter)</p> 	<p>In case of input to A, B is grounded. When A is in a low voltage (0V), B is in a high voltage (12V). When A is in a high voltage (12V), B is grounded. This can be simply shown in the relay circuit on the right-hand side.</p>	
<p>PROCESS</p> 	<p>PROCESS makes a simplified representation of complicated functions in the circuit. Functions mainly used: 1. Detection of signals 2. Conversion of signals The process of the full transistor ignition control unit is as shown in the right-hand figure.</p>	

GRAPHIC SYMBOLS

				
<p>Battery</p>	<p>Ground</p>	<p>Fuse</p>	<p>Fusible link</p>	<p>Motor</p>
				
<p>Coil solenoid</p>	<p>Resistance</p>	<p>Variable resistance</p>	<p>Thermister</p>	<p>Diode</p>
				
<p>Condenser</p>	<p>Transistor</p>	<p>Pump</p>	<p>Lamp</p>	<p>Horn</p>
				
<p>Speaker</p>	<p>Cigar lighter</p>	<p>Heater</p>	<p>Illuminated Diode</p>	<p>Zener Diode</p>

COMPONENT LIST

COMPONENT	SECTION	COMPONENT	SECTION
Actuator solenoid valve	K	Front amp.	I
A.C.V.	B-2	Front combination light	E, F
A.C.V. relay	B-2	Front side marker light	E
Air con. solenoid valve	B-1, B-2	Front speaker	J
Air con. switch	G-1, G-2	Front warning temp. switch	G-1, G-2
Air flow meter	B-2	Fuel-door release solenoid	I
Air temp. sensor	B-2	Fuel-door release switch	I
Air vent solenoid valve	B-1	Fuel gauge tank unit	C
Alternator	A-1, A-2	Fuel pump	B-1, B-2
A.P.L. solenoid valve	B-1	Fuel pump cut relay	B-1
A/T control unit	A-1	Fusible link	A-1 ~ K
Auto clock	H		
		Glass hatch release solenoid	I
Back-up light switch	F	Glass hatch release switch	I
Battery	A-1 ~ K	Glove box light	E
Blower control switch	G-1, G-2	Glove box light switch	E
Blower motor	G-1, G-2		
Brake fluid level switch	C	Headlight	E
Brake light warning checker	C	Headlight cleaner motor	E
		Heat hazard sensor	B-1, B-2
Carburetor heater	B-1	Horn	F
Central processing unit	D, F, H	Horn relay	F
Check connector	B-1	Horn switch	F
Choke & check relay	A-1, A-2	Hot start motor	A-1
Choke switch & magnet	B-1	Hot start relay	A-1
Cigarette lighter	I		
Circuit opening relay	B-2	ID. richer solenoid valve	B-1
Cluster switch	D, E, F	Ignitier	B-1, B-2
Clutch switch	B-1, B-2	Ignition coil	B-1, B-2
Combination meter	C	Ignition key cylinder light	H
Combination switch		Ignition key reminder switch	H
Coast switch	K	Ignition switch	A-1, K
Light switch	E	Illumination light	
Resume switch	K	Ashtray	E
Waher switch	D	Bower fan switch	E
Wiper switch	D	Cigarette lighter	E
Condenser	B-1, B-2	Select lever	E
Control unit	B-2	Temp. control switch	E
Coolant level sensor	C	Inhibitor switch	A-1, F
Coolant level unit	C	Injector	B-2
Cruise control main switch	K	Instrument panel light control	E
Cruise control unit	K	Interior & spot light	H
Diode	A-1, E, G-1, G-2, K	Kick down relay	A-1
Door lock cylinder light	H	Kick down solenoid	A-1
Door switch	H	Kick down switch	A-1
Door handle switch	H		
		License light	E
E.G.I. & emission control unit	B-2	Luggage compartment light	H
Electric tuner & stereo deck	J	Luggage compartment light switch	H
Emission control unit	B-1		
Equalizer	J	Magnet clutch	G-1, G-2
		Main relay	B-2
Fail check connector	B-2	Mode control motor	G-1, G-2
Fresh-Rec control motor	G-1, G-2	Mode control unit	G-1, G-2

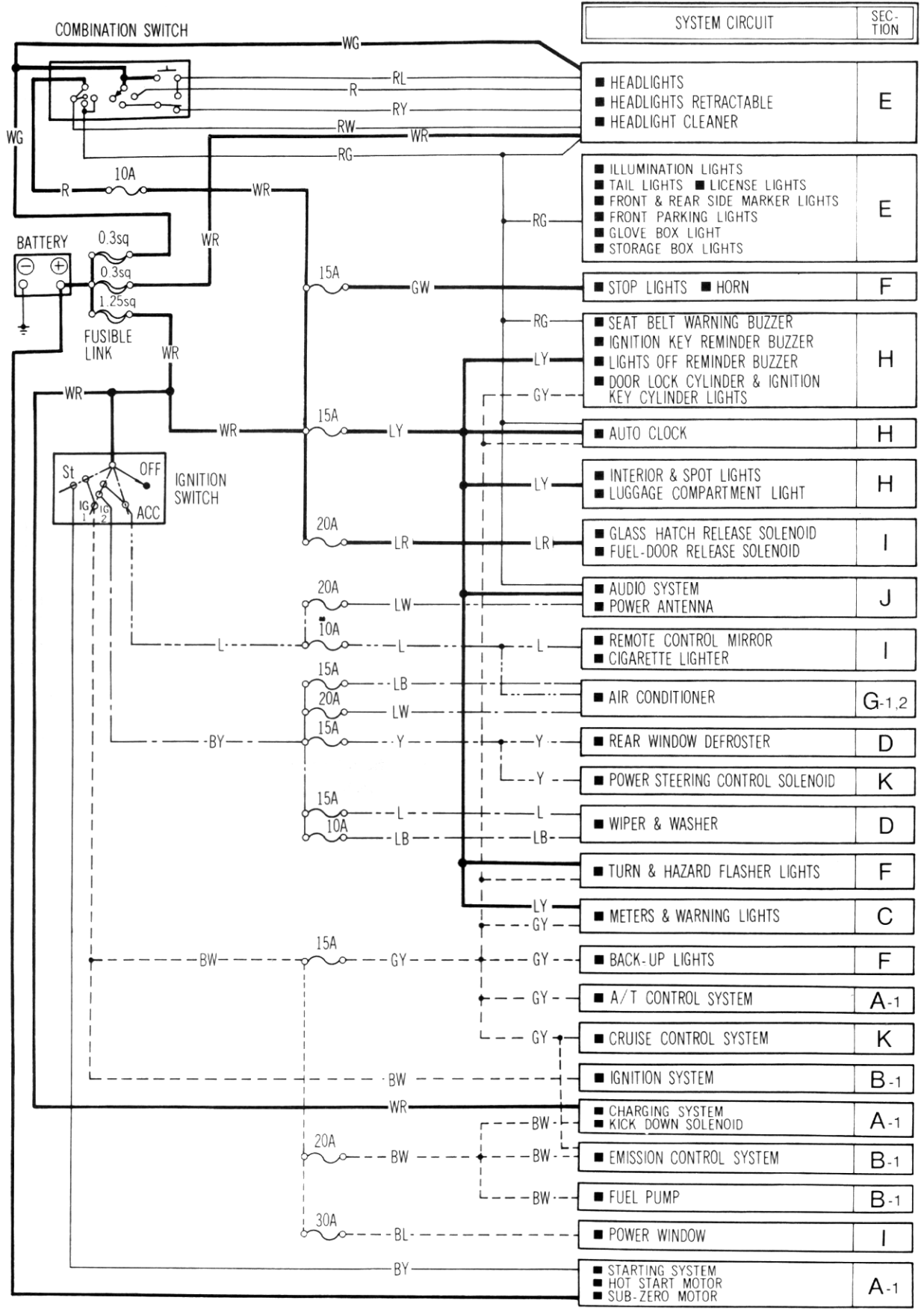
COMPONENT LIST

CL

COMPONENT	SECTION	COMPONENT	SECTION
Neutral switch	B-1, B-2	Short connector	B-1
No. 1 air con. relay	G-1, G-2	Short connector of fuel pump	B-2
No. 2 air con. relay	G-1, G-2	Shutter solenoid valve	B-1
No. 2 M.A.B. valve.	B-1	Side marker light.	E
No. 1 water temp. switch	B-1	Speaker cord	J
No. 2 water temp. switch	B-1	Starting motor	A-1, A-2
Oil level sensor	C	Stereo deck	J
Oil pressure gauge unit	C	Stop light.	F
Oscillator.	C	Stop light checker	F
O ₂ sensor.	B-1, B-2	Stop light switch	F
O ₂ sensor check connector	B-2	Stop switch	K
Over drive cancel solenoid.	A-1	Storage box light.	E
Over drive switch.	A-1	Storage box light switch	E
Over top switch.	B-2	Sub-zero motor.	A-1, A-2
Parking brake switch	C	Sub-zero sensor.	A-1, A-2
Power antenna motor.	J	Switching solenoid valve	B-1, B-2
Power antenna relay.	J	Tail light	E
Power steering control solenoid	K	Thermo sensor	B-1
Power steering control unit	K	Throttle sensor	B-1, B-2
Power steering oil pressure switch.	G-1, G-2	Transmission oil pressure switch.	C
Power window motor.	I	Turn & hazard flasher light	F
Power window switch.	I	Turn switch	F
P.R.C.	B-2	Vacuum control solenoid valve.	B-1, B-2
Rear amp.	J	Vacuum pressure sensor	B-2
Rear combiantion light.	F, E	Vacuum switch	B-1, B-2
Rear side marker light	E	Vacuum switch solenoid.	B-2
Rear speaker.	J	Variable resistor	B-2
Rear washer motor	D	V.S.V.	B-2
Rear wiper motor	D	Washer fluid level sensor	C
Rear window defroster	D	Washer motor	D
Refrigerant pressure switch	G-1, G-2	Water temp. sensor	B-2
Relief solenoid valve	B-1, B-2	Water temp. switch	B-2
Remote control mirror	I	Water temp. gauge unit.	C
Remote control mirror switch	I	Wiper motor.	D
Resistor.	G-1, G-2		
Retractable headlight motor	E		
Seat belt switch.	H		
Setting connector	B-2		

ELECTRICAL WIRING SCHEMATIC

- CURRENT FROM BATTERY
- - - - CURRENT FROM IG TERMINAL OF IGNITION SWITCH
- · - · - · CURRENT FROM ACC TERMINAL OF IGNITION SWITCH
- · — · — OTHERS



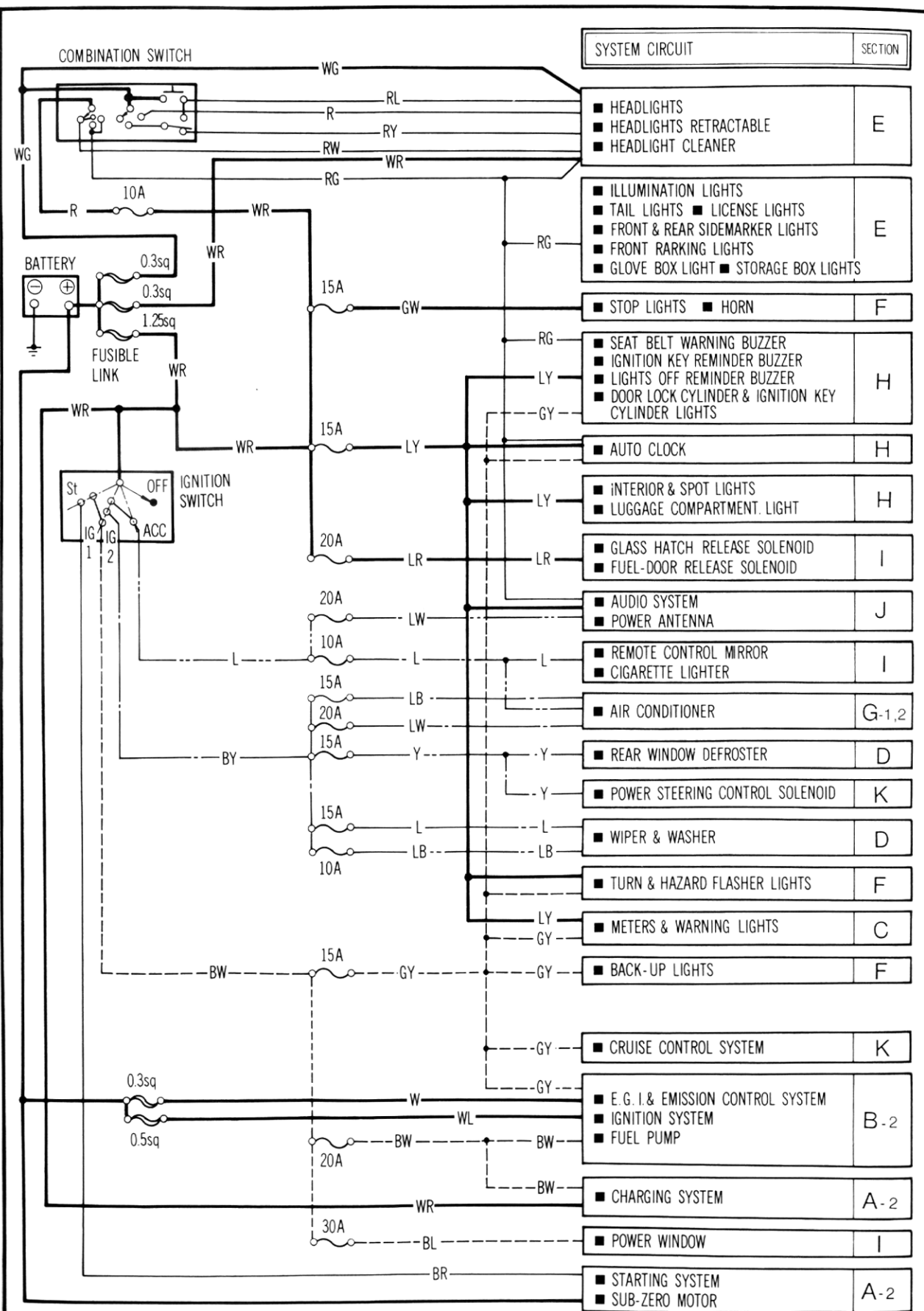
SYSTEM CIRCUIT	SECTION
<ul style="list-style-type: none"> ■ HEADLIGHTS ■ HEADLIGHTS RETRACTABLE ■ HEADLIGHT CLEANER 	E
<ul style="list-style-type: none"> ■ ILLUMINATION LIGHTS ■ TAIL LIGHTS ■ LICENSE LIGHTS ■ FRONT & REAR SIDE MARKER LIGHTS ■ FRONT PARKING LIGHTS ■ GLOVE BOX LIGHT ■ STORAGE BOX LIGHTS 	E
<ul style="list-style-type: none"> ■ STOP LIGHTS ■ HORN 	F
<ul style="list-style-type: none"> ■ SEAT BELT WARNING BUZZER ■ IGNITION KEY REMINDER BUZZER ■ LIGHTS OFF REMINDER BUZZER ■ DOOR LOCK CYLINDER & IGNITION KEY CYLINDER LIGHTS 	H
<ul style="list-style-type: none"> ■ AUTO CLOCK 	H
<ul style="list-style-type: none"> ■ INTERIOR & SPOT LIGHTS ■ LUGGAGE COMPARTMENT LIGHT 	H
<ul style="list-style-type: none"> ■ GLASS HATCH RELEASE SOLENOID ■ FUEL-DOOR RELEASE SOLENOID 	I
<ul style="list-style-type: none"> ■ AUDIO SYSTEM ■ POWER ANTENNA 	J
<ul style="list-style-type: none"> ■ REMOTE CONTROL MIRROR ■ CIGARETTE LIGHTER 	I
<ul style="list-style-type: none"> ■ AIR CONDITIONER 	G-1,2
<ul style="list-style-type: none"> ■ REAR WINDOW DEFROSTER 	D
<ul style="list-style-type: none"> ■ POWER STEERING CONTROL SOLENOID 	K
<ul style="list-style-type: none"> ■ WIPER & WASHER 	D
<ul style="list-style-type: none"> ■ TURN & HAZARD FLASHER LIGHTS 	F
<ul style="list-style-type: none"> ■ METERS & WARNING LIGHTS 	C
<ul style="list-style-type: none"> ■ BACK-UP LIGHTS 	F
<ul style="list-style-type: none"> ■ A/T CONTROL SYSTEM 	A-1
<ul style="list-style-type: none"> ■ CRUISE CONTROL SYSTEM 	K
<ul style="list-style-type: none"> ■ IGNITION SYSTEM 	B-1
<ul style="list-style-type: none"> ■ CHARGING SYSTEM ■ KICK DOWN SOLENOID 	A-1
<ul style="list-style-type: none"> ■ EMISSION CONTROL SYSTEM 	B-1
<ul style="list-style-type: none"> ■ FUEL PUMP 	B-1
<ul style="list-style-type: none"> ■ POWER WINDOW 	I
<ul style="list-style-type: none"> ■ STARTING SYSTEM ■ HOT START MOTOR ■ SUB-ZERO MOTOR 	A-1

For 13B Engine

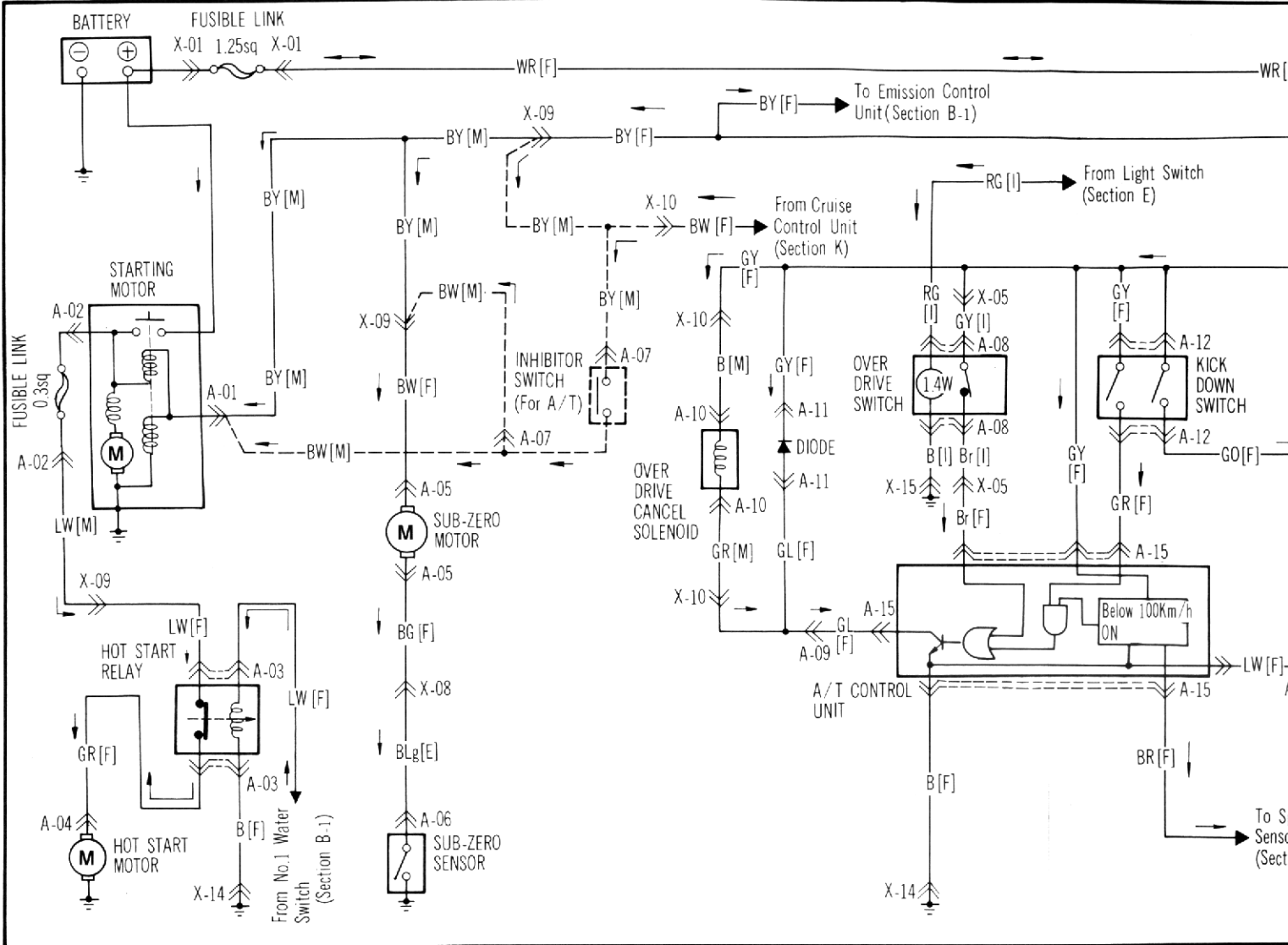
ELECTRICAL WIRING SCHEMATIC

- CURRENT FROM BATTERY
- - - CURRENT FROM IG TERMINAL OF IGNITION SWITCH
- · · CURRENT FROM ACC TERMINAL OF IGNITION SWITCH
- OTHERS

W-2



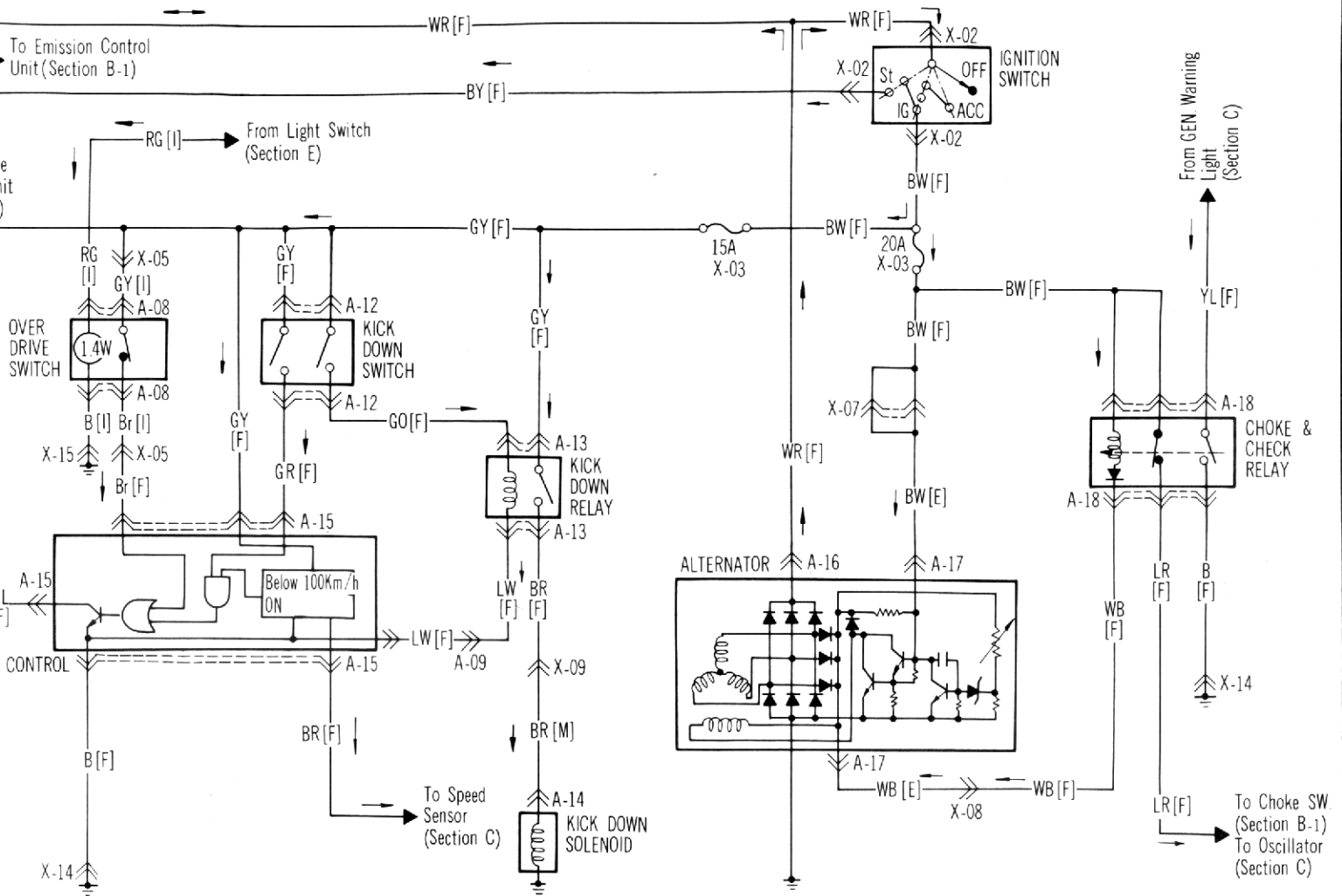
SYSTEM CIRCUIT	SECTION
<ul style="list-style-type: none"> ■ HEADLIGHTS ■ HEADLIGHTS RETRACTABLE ■ HEADLIGHT CLEANER 	E
<ul style="list-style-type: none"> ■ ILLUMINATION LIGHTS ■ TAIL LIGHTS ■ LICENSE LIGHTS ■ FRONT & REAR SIDEMARKER LIGHTS ■ FRONT PARKING LIGHTS ■ GLOVE BOX LIGHT ■ STORAGE BOX LIGHTS 	E
<ul style="list-style-type: none"> ■ STOP LIGHTS ■ HORN 	F
<ul style="list-style-type: none"> ■ SEAT BELT WARNING BUZZER ■ IGNITION KEY REMINDER BUZZER ■ LIGHTS OFF REMINDER BUZZER ■ DOOR LOCK CYLINDER & IGNITION KEY CYLINDER LIGHTS 	H
<ul style="list-style-type: none"> ■ AUTO LOCK 	H
<ul style="list-style-type: none"> ■ INTERIOR & SPOT LIGHTS ■ LUGGAGE COMPARTMENT LIGHT 	H
<ul style="list-style-type: none"> ■ GLASS HATCH RELEASE SOLENOID ■ FUEL-DOOR RELEASE SOLENOID 	I
<ul style="list-style-type: none"> ■ AUDIO SYSTEM ■ POWER ANTENNA 	J
<ul style="list-style-type: none"> ■ REMOTE CONTROL MIRROR ■ CIGARETTE LIGHTER 	I
<ul style="list-style-type: none"> ■ AIR CONDITIONER 	G-1,2
<ul style="list-style-type: none"> ■ REAR WINDOW DEFROSTER 	D
<ul style="list-style-type: none"> ■ POWER STEERING CONTROL SOLENOID 	K
<ul style="list-style-type: none"> ■ WIPER & WASHER 	D
<ul style="list-style-type: none"> ■ TURN & HAZARD FLASHER LIGHTS 	F
<ul style="list-style-type: none"> ■ METERS & WARNING LIGHTS 	C
<ul style="list-style-type: none"> ■ BACK-UP LIGHTS 	F
<ul style="list-style-type: none"> ■ CRUISE CONTROL SYSTEM 	K
<ul style="list-style-type: none"> ■ E.G. I. & EMISSION CONTROL SYSTEM ■ IGNITION SYSTEM ■ FUEL PUMP 	B-2
<ul style="list-style-type: none"> ■ CHARGING SYSTEM 	A-2
<ul style="list-style-type: none"> ■ POWER WINDOW 	I
<ul style="list-style-type: none"> ■ STARTING SYSTEM ■ SUB-ZERO MOTOR 	A-2



<p>A-01 Starting Motor [M]</p>	<p>A-02 Fusible Link [M]</p>	<p>A-03 Hot Start Relay [F]</p>	<p>A-04 Hot Start Motor [F]</p>	<p>A-05 Sub-Zero Motor [F]</p>
<p>A-09 Joint Connector [F]</p>	<p>A-10 Over Drive Release Solenoid [M] (For A/T)</p>	<p>A-11 Diode [F]</p>	<p>A-12 Kick Down Switch [F] (For A/T)</p>	
<p>A-16 Alternator [F]</p>	<p>A-17 Alternator [E]</p>	<p>A-18 Choke & Check Relay [F]</p>		
<p>Note ✕ ... Not Used</p>				

CHARGING SYSTEM HOT START MOTOR

(For A/T) ■ KICK DOWN SOLENOID (For A/T)



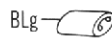
A-04 Hot Start Motor[F]



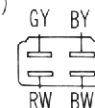
A-05 Sub-Zero Motor[F]



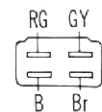
A-06 Sub-Zero Sensor[E]



A-07 Inhibitor Switch[M]
(For A/T)



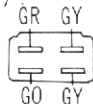
A-08 Over Drive Switch[I] (For A/T)



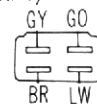
A-09 Diode[F]



A-12 Kick Down Switch[F]
(For A/T)



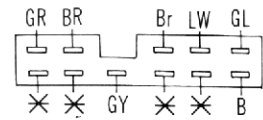
A-13 Kick Down Relay[F]
(For A/T)



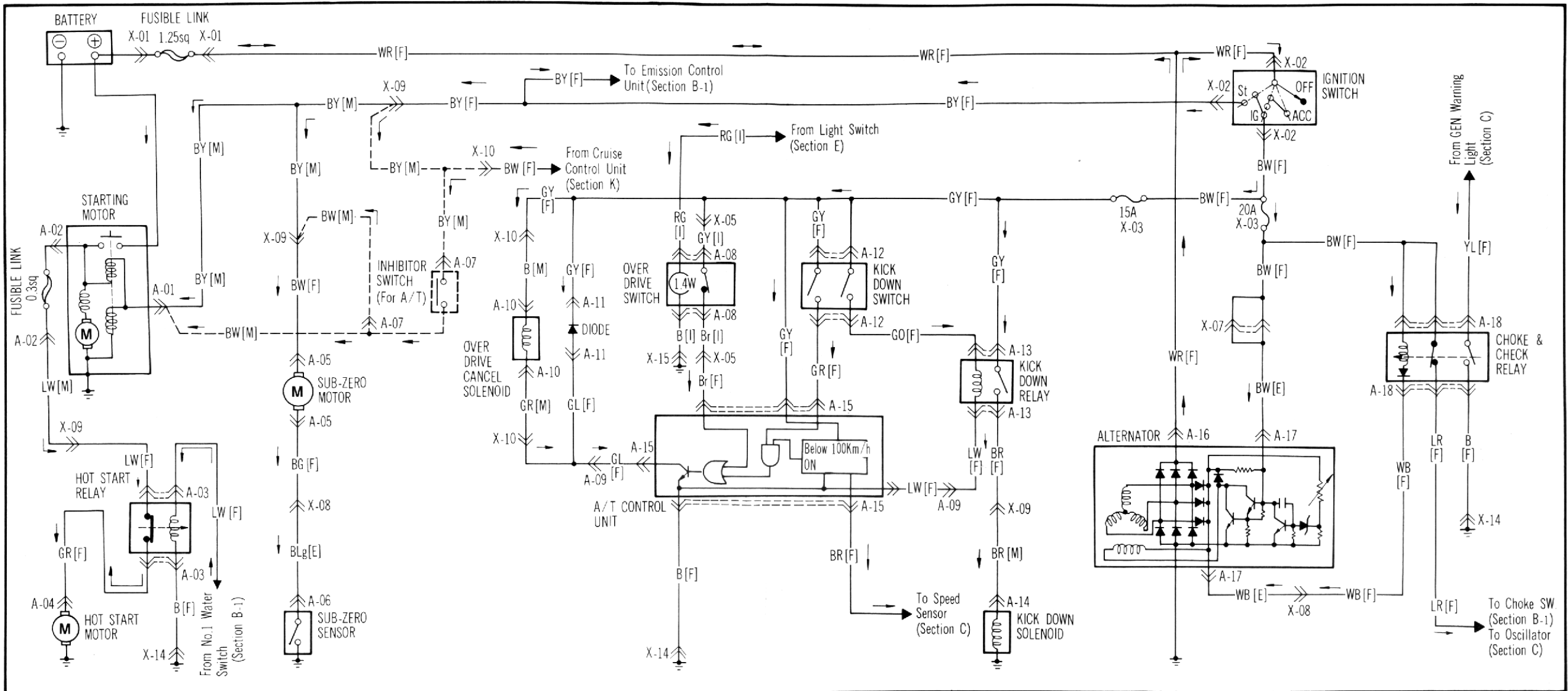
A-14 Kick Down Solenoid[M]
(For A/T)



A-15 A/T Control Unit[F] (For A/T)

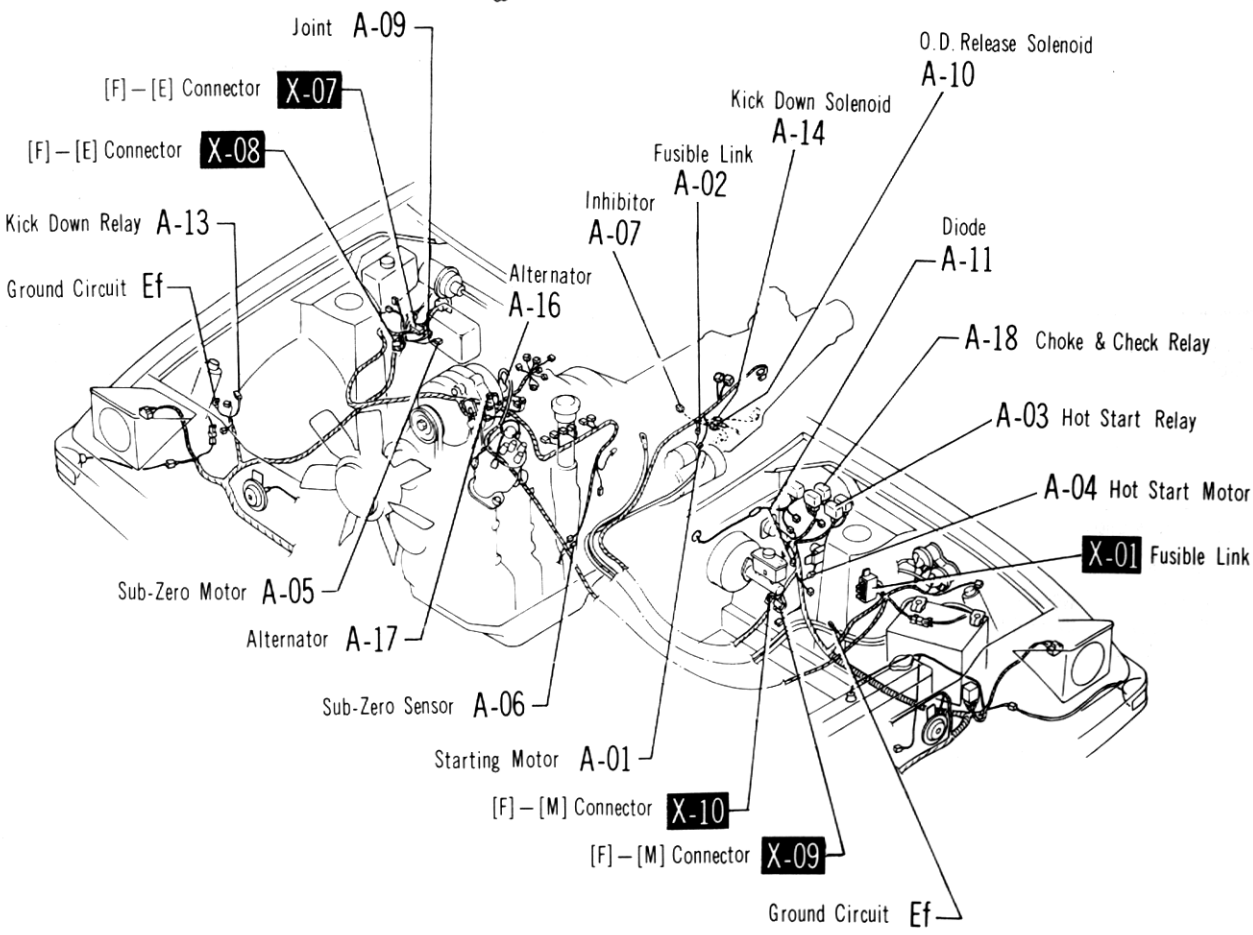
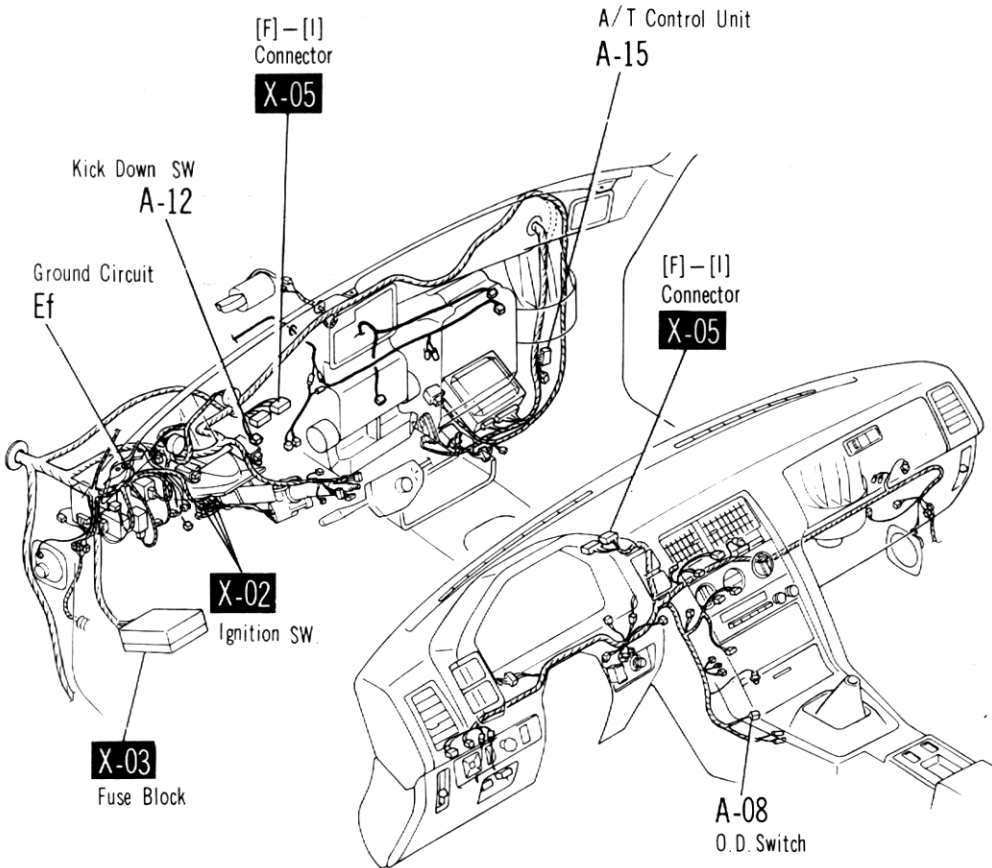


- STARTING SYSTEM
- CHARGING SYSTEM
- SUB-ZERO MOTOR
- HOT START MOTOR
- A/T CONTROL SYSTEM (For A/T)
- KICK DOWN SOLENOID (For A/T)

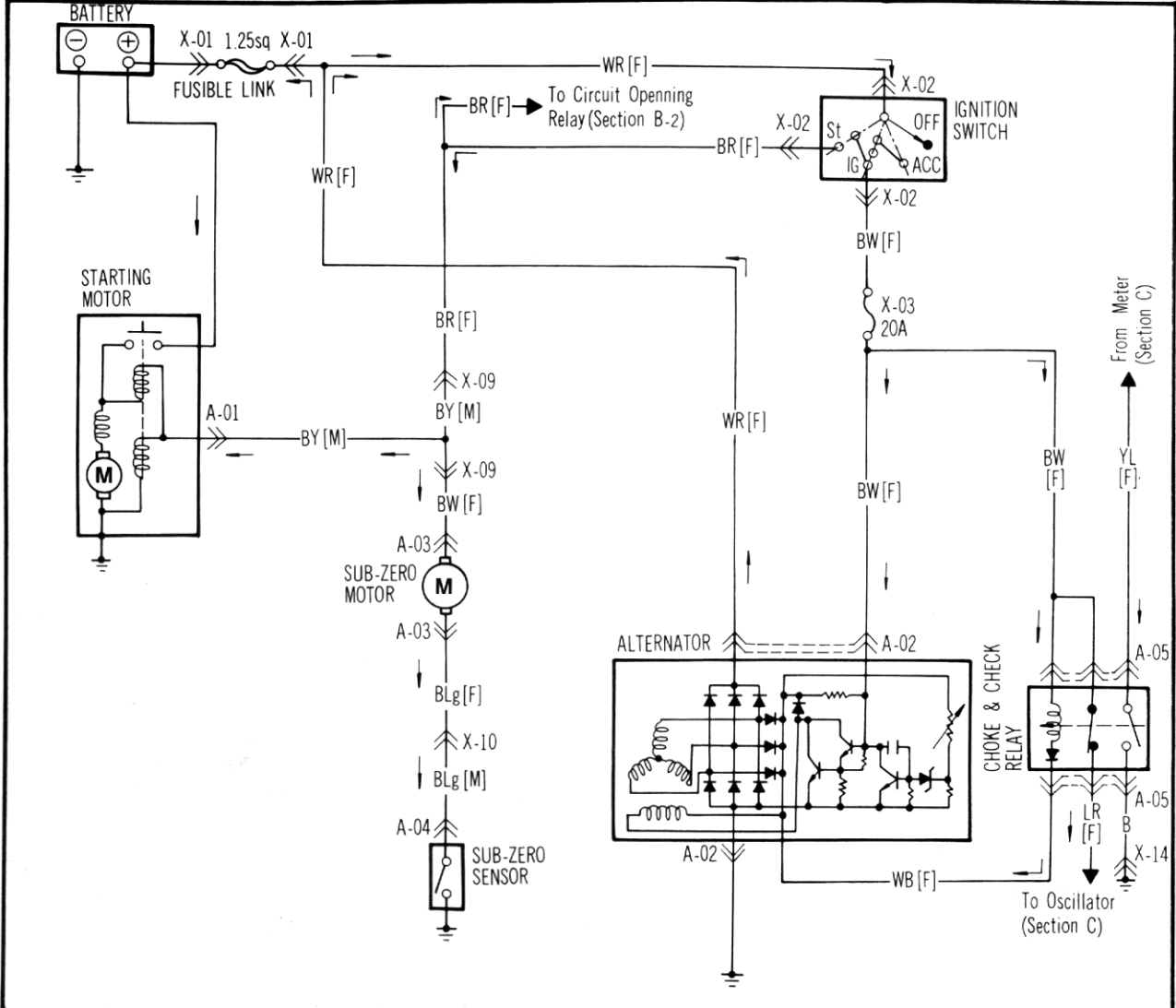


A-01 Starting Motor [M] 	A-02 Fusible Link [M] 	A-03 Hot Start Relay [F] 	A-04 Hot Start Motor [F] 	A-05 Sub-Zero Motor [F] 	A-06 Sub-Zero Sensor [E] 	A-07 Inhibitor Switch [M] (For A/T) 	A-08 Over Drive Switch [I] (For A/T)
A-09 Joint Connector [F] 	A-10 Over Drive Release Solenoid [M] (For A/T) 	A-11 Diode [F] 	A-12 Kick Down Switch [F] (For A/T) 	A-13 Kick Down Relay [F] (For A/T) 	A-14 Kick Down Solenoid [M] (For A/T) 	A-15 A/T Control Unit [F] (For A/T) 	
A-16 Alternator [F] 	A-17 Alternator [E] 	A-18 Choke & Check Relay [F] 					

Note ✕ ... Not Used

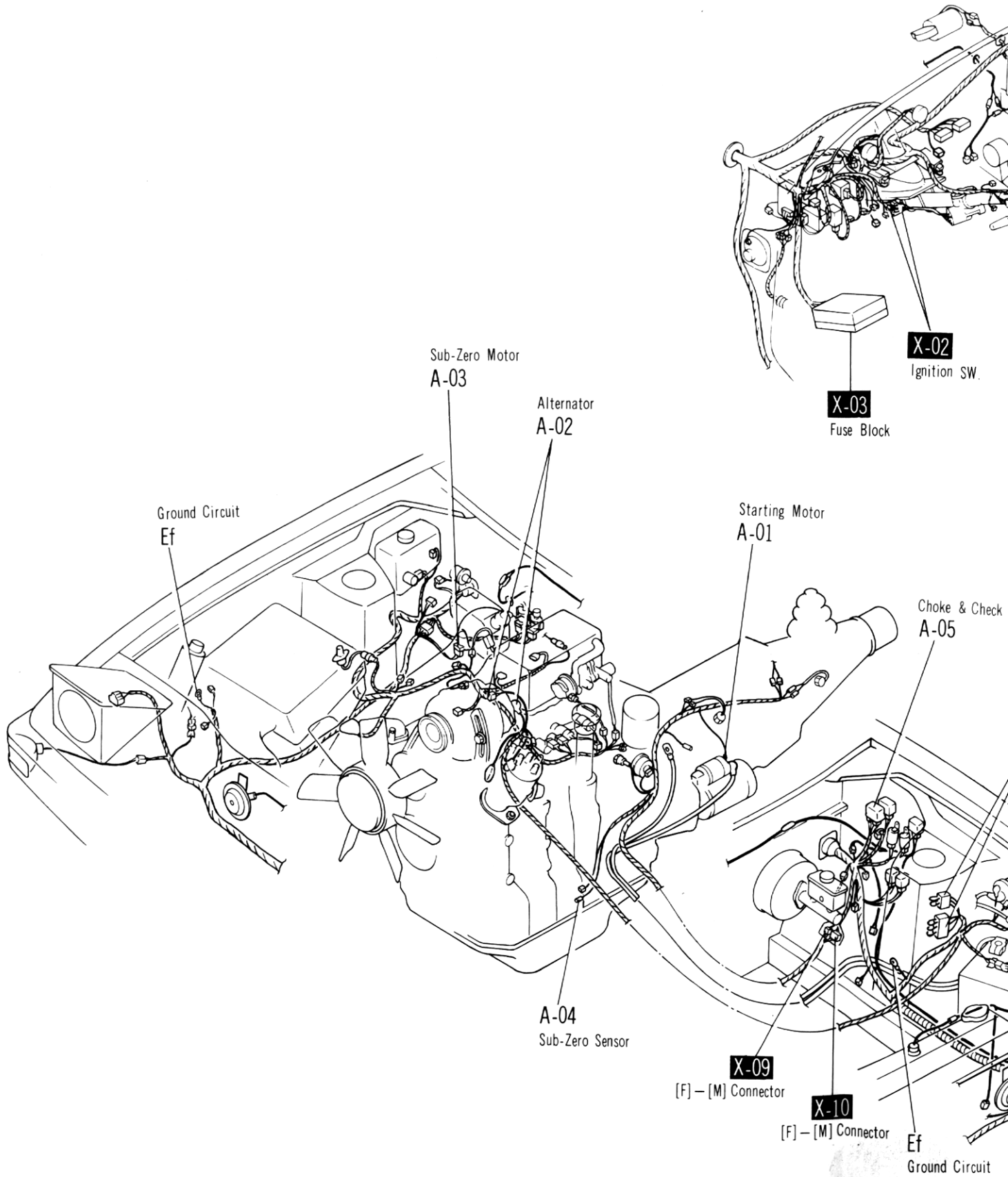


- STARTING SYSTEM
- CHARGING SYSTEM
- SUB-ZERO MOTOR



A-01 Starting Motor [M]	A-02 Alternator [F]	A-03 Sub-Zero Motor [F]	A-04 Sub-Zero Sensor [M]

Note: ✕...Not Used



Ground Circuit
Ef

Sub-Zero Motor
A-03

Alternator
A-02

Starting Motor
A-01

Choke & Check
A-05

A-04
Sub-Zero Sensor

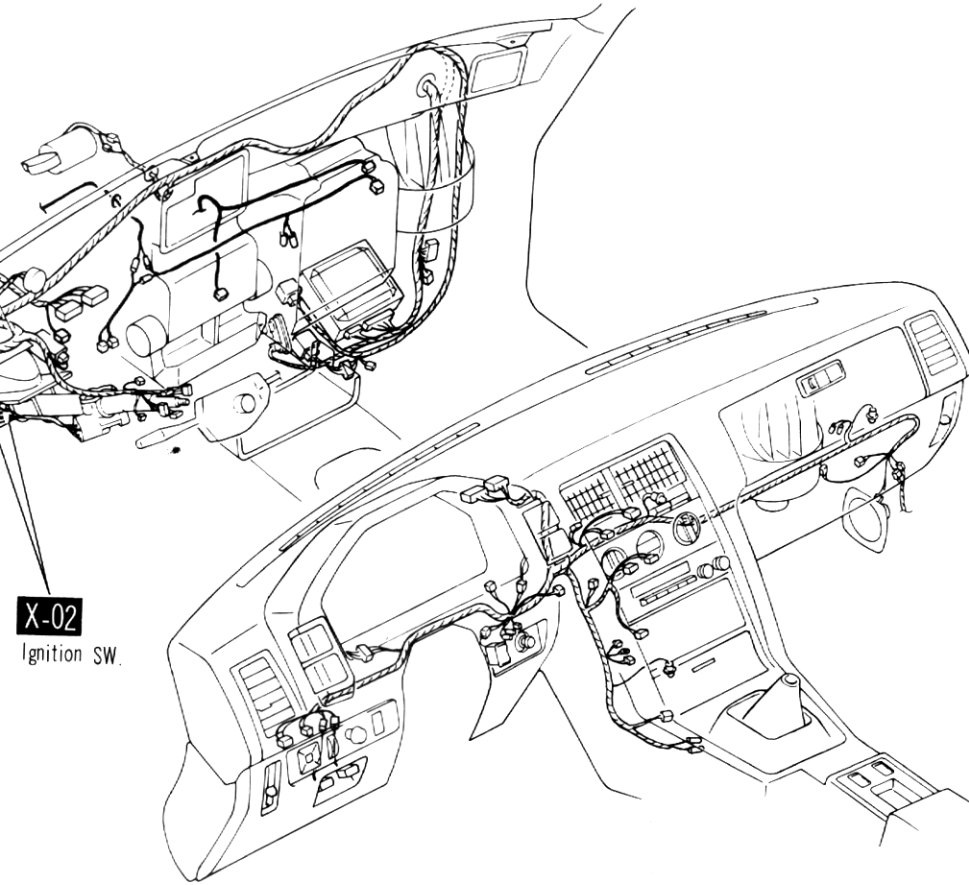
X-02
Ignition SW.

X-03
Fuse Block

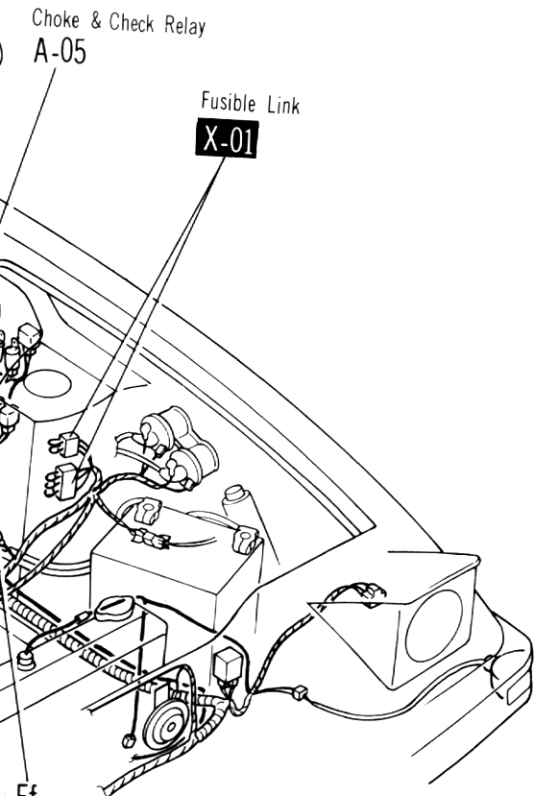
X-09
[F] - [M] Connector

X-10
[F] - [M] Connector

Ef
Ground Circuit



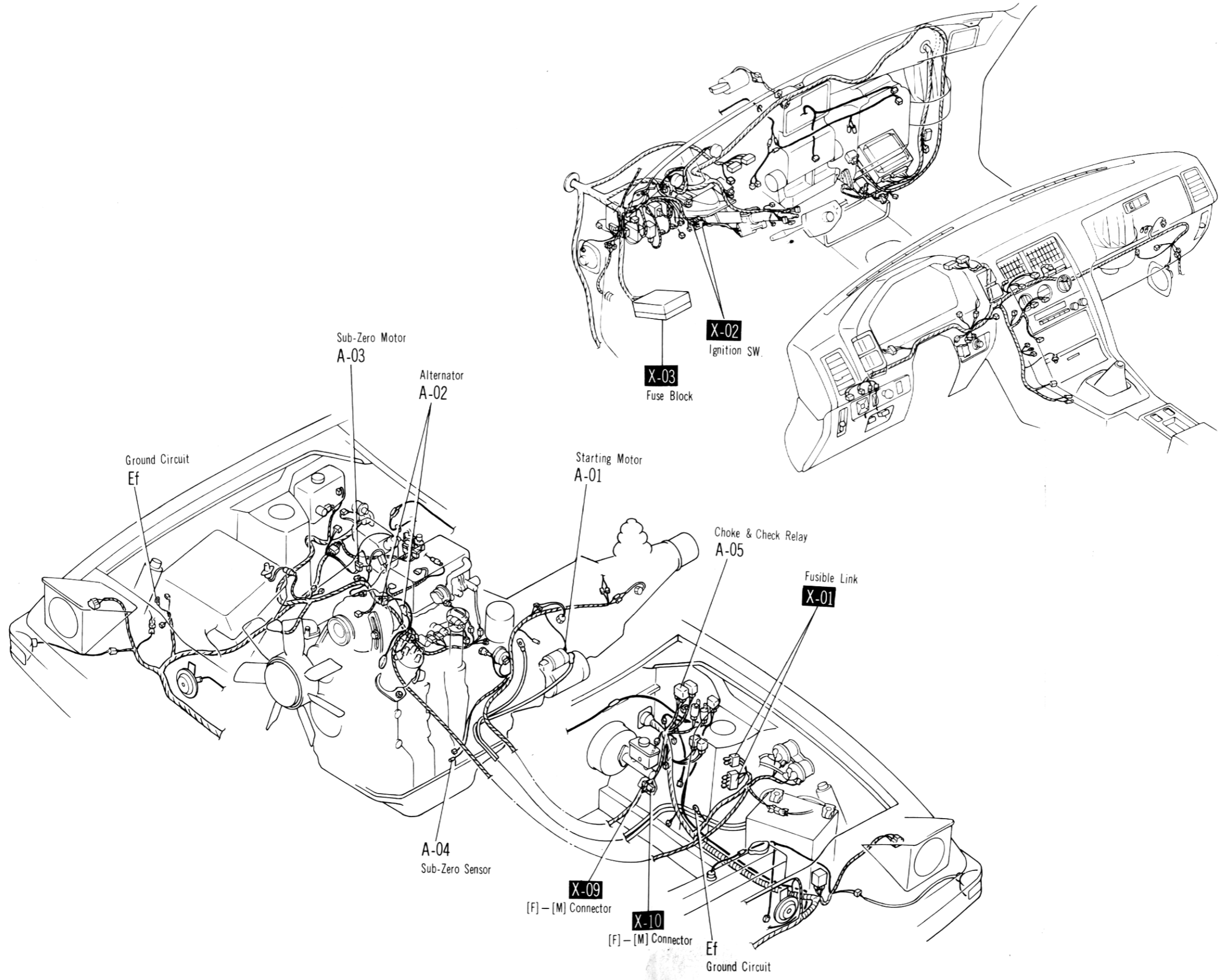
X-02
Ignition SW

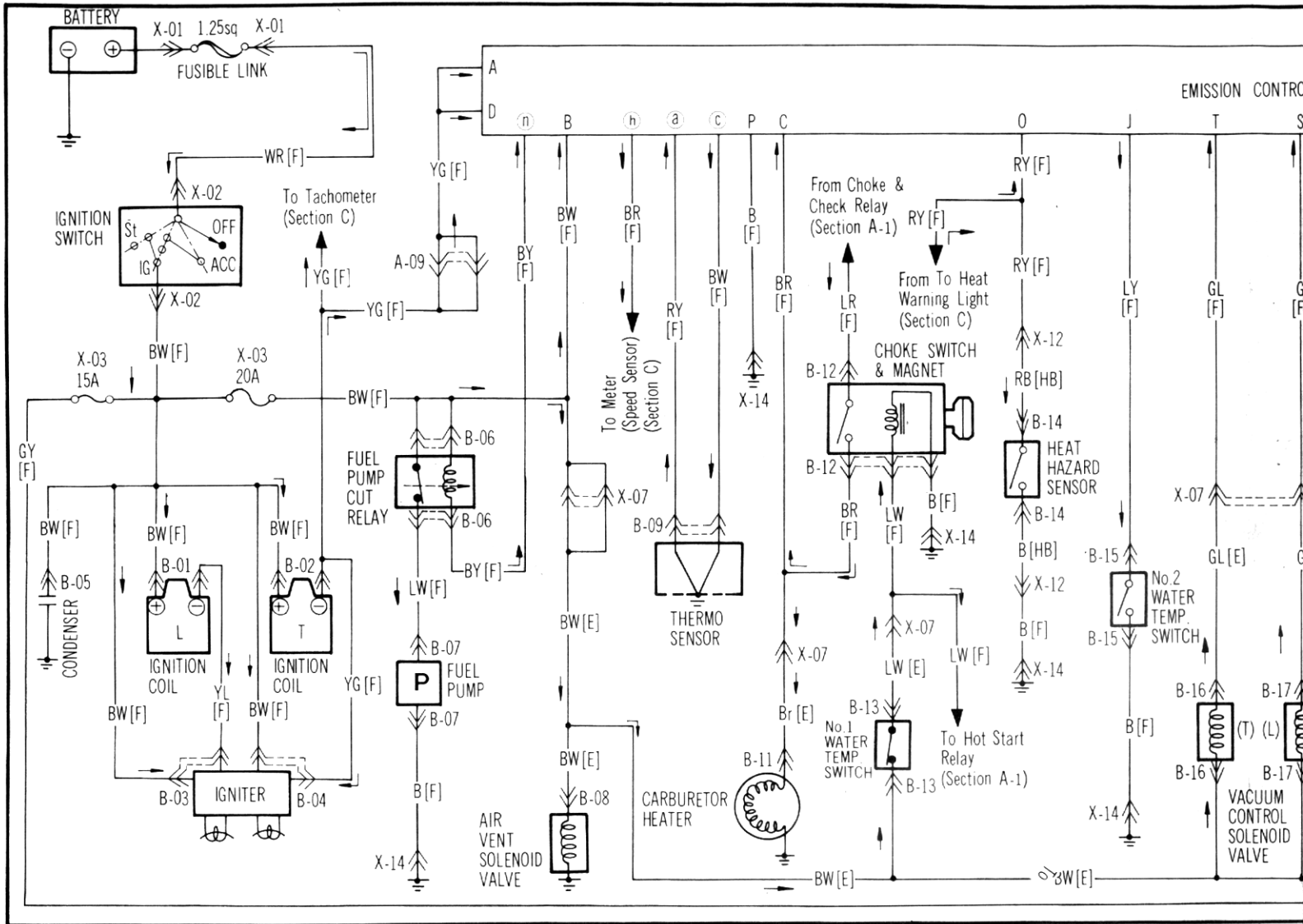


Choke & Check Relay
A-05

Fusible Link
X-01

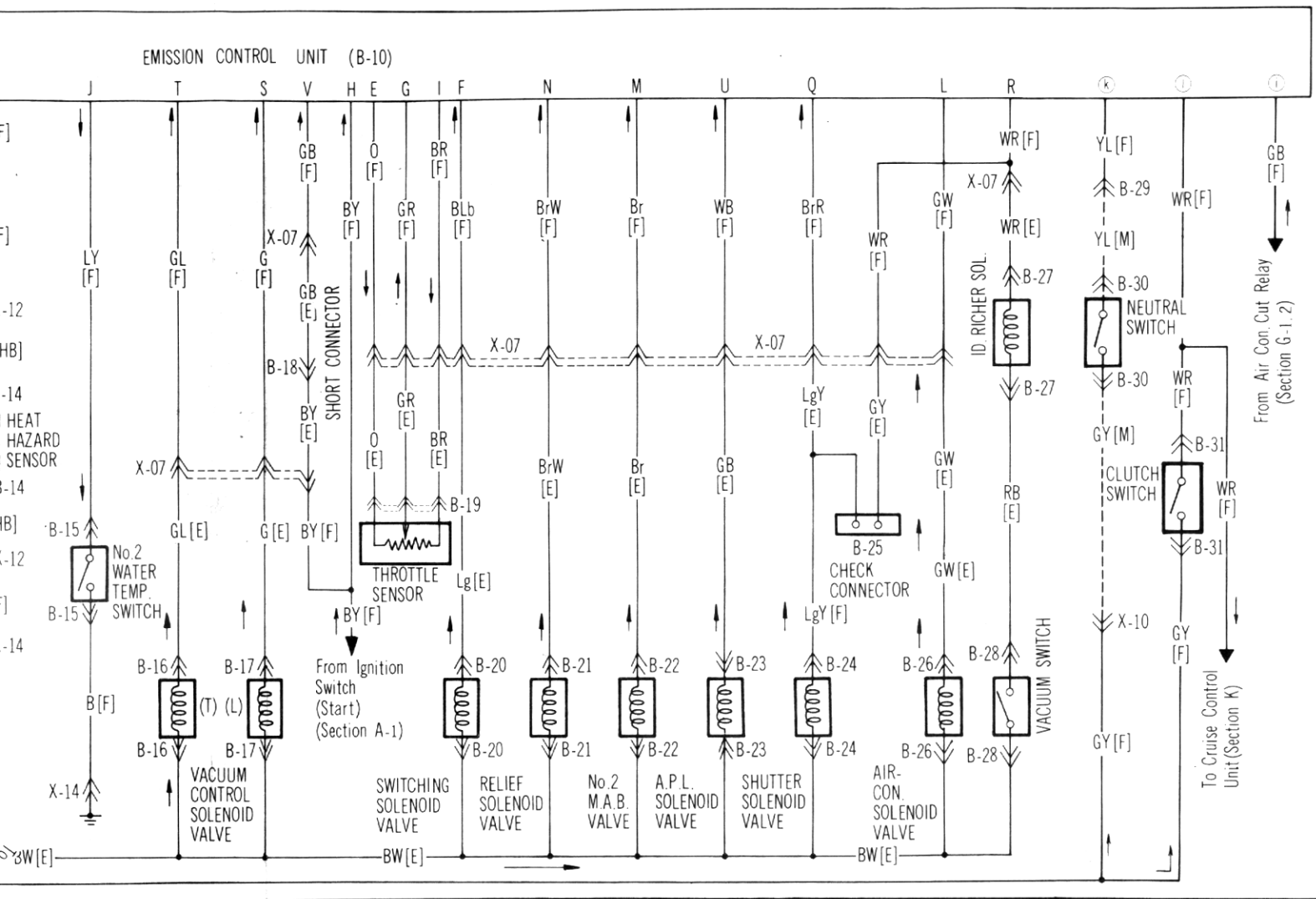
Ef
Ground Circuit



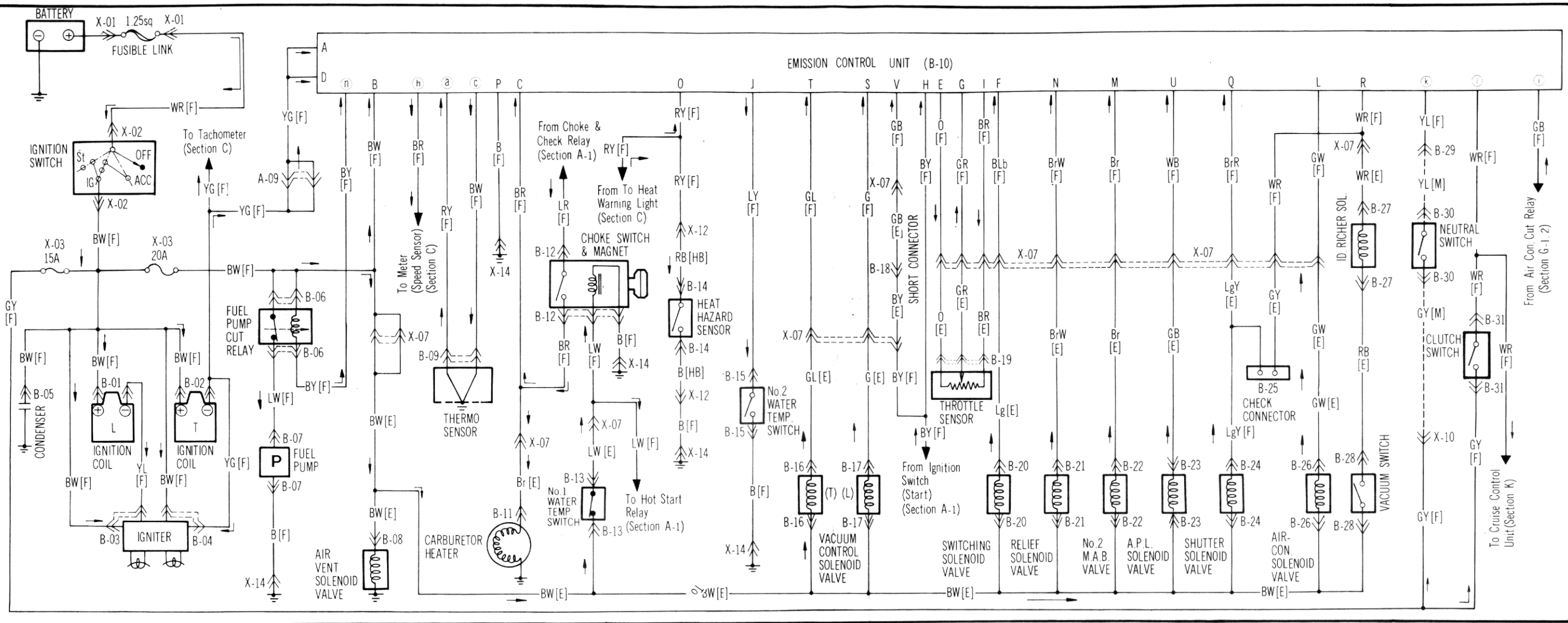


<p>B-01 Ignition Coil (L) [F]</p>	<p>B-02 Ignition Coil (T) [F]</p>	<p>B-03 Igniter (L) [F]</p>	<p>B-04 Igniter (T) [F]</p>	<p>B-05 Condenser [F]</p>
<p>B-10 Emission Control Unit [F]</p>				
<p>B-17 Vacuum Control Solenoid Valve (L) [E]</p>	<p>B-18 Short Connector [E]</p>	<p>B-19 Throttle Sensor [E]</p>	<p>B-20 Switching Solenoid Valve [E]</p>	<p>B-21 Relief Solenoid Valve [E]</p>
<p>B-26 Air-Con. Solenoid Valve [E]</p>	<p>B-27 I.D. Richer Solenoid Valve [E]</p>	<p>B-28 Vacuum Switch [E]</p>	<p>B-29 Connector Between Front [F] and Mission Harness [M] (For M/T)</p>	<p>B-30 Neutral Switch [M] (For M/T)</p>

Note: ✕ ... Not Used

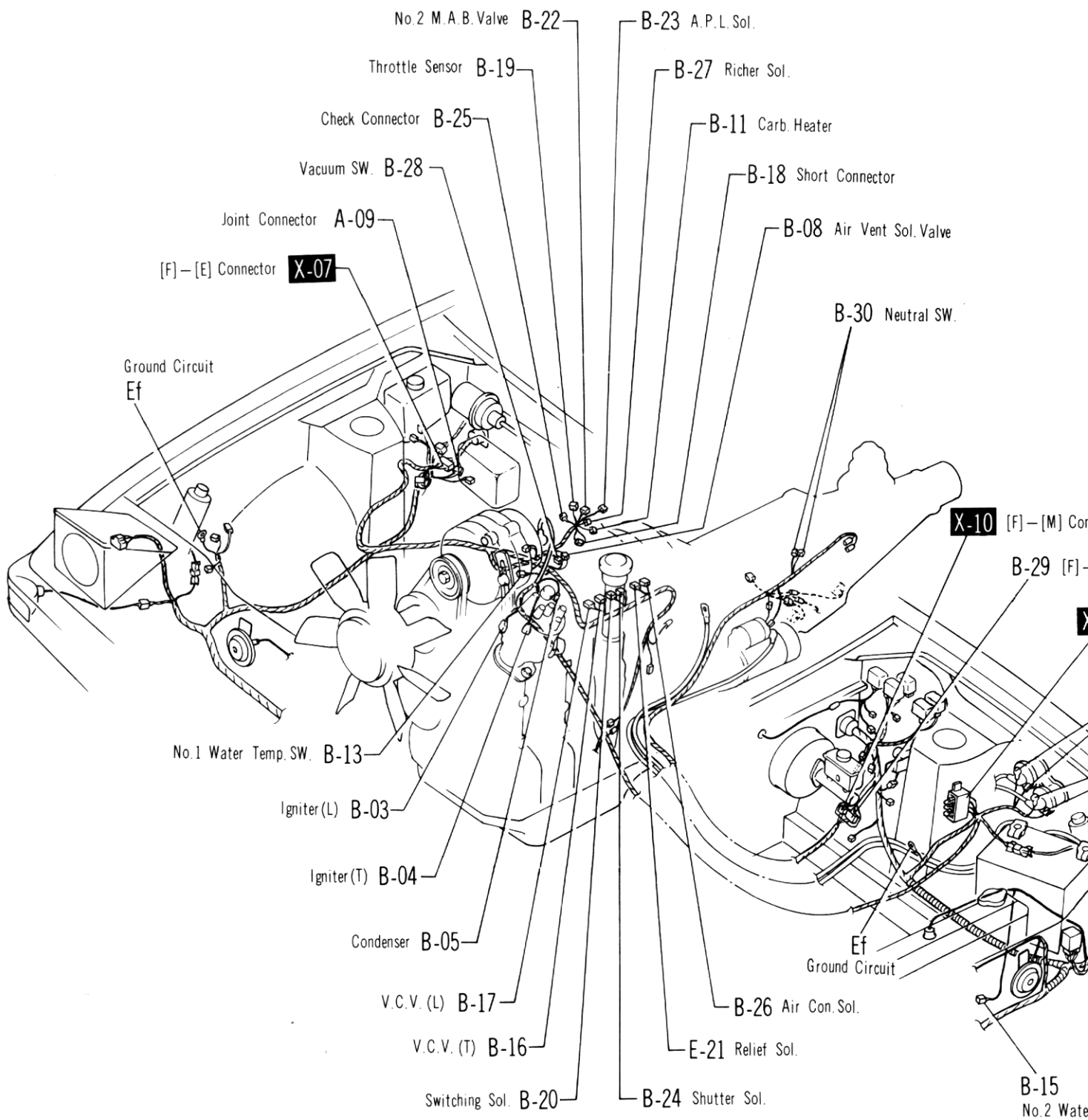


<p>B-05 Condenser [F]</p>	<p>B-06 Fuel Pump Cut Relay [F]</p>	<p>B-07 Fuel Pump [F]</p>	<p>B-08 Air Vent Solenoid Valve [E]</p>	<p>B-09 Thermo Sensor [F]</p>
<p>B-12 Choke Switch & Magnet [F]</p>	<p>B-13 No.1 Water Temp. Switch [E]</p>	<p>B-14 Heat Hazard Sensor [HB]</p>	<p>B-15 No.2 Water Temp. Switch [F]</p>	<p>B-16 Vacuum Control Solenoid Valve (T) [E]</p>
<p>B-21 Relief Solenoid Valve [E]</p>	<p>B-22 No.2 M.A.B. Valve [E] (Orange)</p>	<p>B-23 A.P.L. Solenoid Valve [E]</p>	<p>B-24 Shutter Solenoid Valve [E]</p>	<p>B-25 Check Connector [E]</p>
<p>B-30 Neutral Switch [M] (For M/T)</p>	<p>B-31 Clutch Switch [F] (For M/T)</p>	<p>A-09 Joint Connector [F]</p>		



<p>B-01 Ignition Coil(L)[F]</p>	<p>B-02 Ignition Coil(T)[F]</p>	<p>B-03 Igniter(L)[F]</p>	<p>B-04 Igniter(T)[F]</p>	<p>B-05 Condenser [F]</p>	<p>B-06 Fuel Pump Cut Relay[F]</p>	<p>B-07 Fuel Pump[F]</p>	<p>B-08 Air Vent Solenoid Valve [E]</p>	<p>B-09 Thermo Sensor [F]</p>
<p>B-10 Emission Control Unit [F]</p>		<p>B-11 Carburetor Heater [E]</p>	<p>B-12 Choke Switch & Magnet [F]</p>	<p>B-13 No.1 Water Temp. Switch [E]</p>	<p>B-14 Heat Hazard Sensor [HB]</p>	<p>B-15 No.2 Water Temp. Switch [F]</p>	<p>B-16 Vacuum Control Solenoid Valve (T) [E]</p>	
<p>B-17 Vacuum Control Solenoid Valve (L) [E]</p>	<p>B-18 Short Connector [E]</p>	<p>B-19 Throttle Sensor [E]</p>	<p>B-20 Switching Solenoid Valve [E]</p>	<p>B-21 Relief Solenoid Valve [E]</p>	<p>B-22 No.2 M.A.B. Valve [E] (Orange)</p>	<p>B-23 A.P.L. Solenoid Valve [E]</p>	<p>B-24 Shutter Solenoid Valve [E]</p>	<p>B-25 Check Connector [E]</p>
<p>B-26 Air-Con. Solenoid Valve [E]</p>	<p>B-27 I.D. Richer Solenoid Valve [E]</p>	<p>B-28 Vacuum Switch [E]</p>	<p>B-29 Connector Between Front [F] and Mission Harness [M] (For M/T)</p>	<p>B-30 Neutral Switch [M] (For M/T)</p>	<p>B-31 Clutch Switch [F] (For M/T)</p>	<p>A-09 Joint Connector [F]</p>		

Note: ✕ ... Not Used



No. 2 M.A.B. Valve B-22

B-23 A.P.L. Sol.

Throttle Sensor B-19

B-27 Richer Sol.

Check Connector B-25

B-11 Carb. Heater

Vacuum SW. B-28

B-18 Short Connector

Joint Connector A-09

B-08 Air Vent Sol. Valve

[F]-[E] Connector X-07

B-30 Neutral SW.

Ground Circuit Ef

X-10 [F]-[M] Con.

B-29 [F]-

No. 1 Water Temp. SW. B-13

Igniter (L) B-03

Igniter (T) B-04

Condenser B-05

V.C.V. (L) B-17

V.C.V. (T) B-16

Switching Sol. B-20

B-26 Air Con. Sol.

E-21 Relief Sol.

B-24 Shutter Sol.

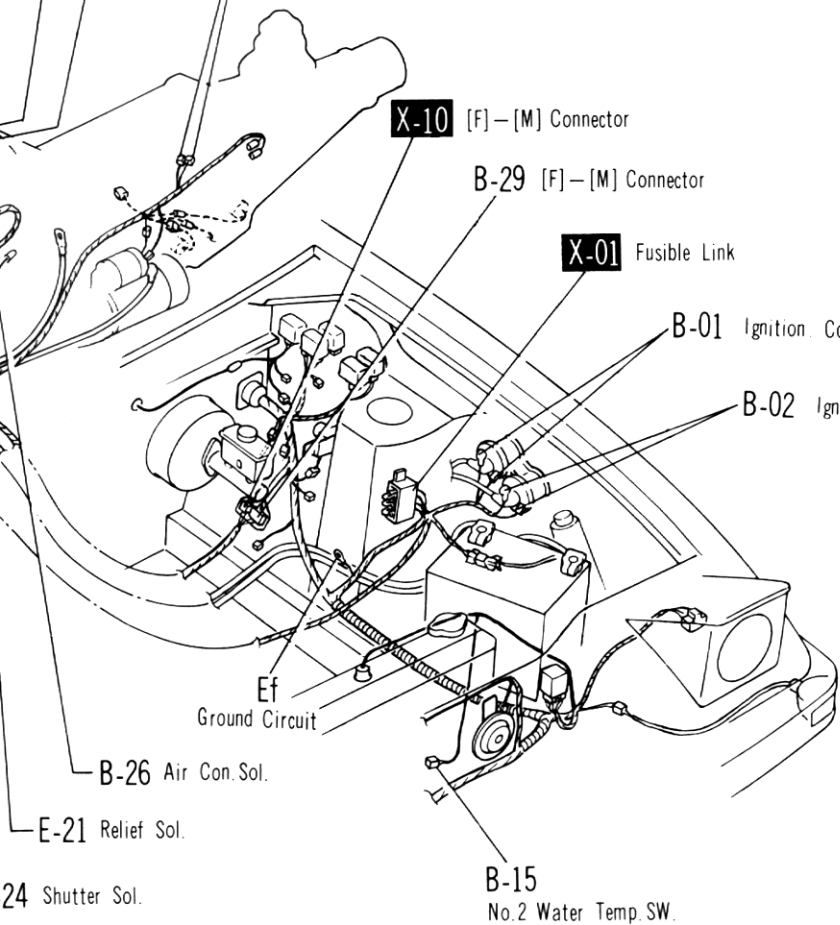
Ground Circuit Ef

B-15 No. 2 Water

23 A.P.L. Sol.

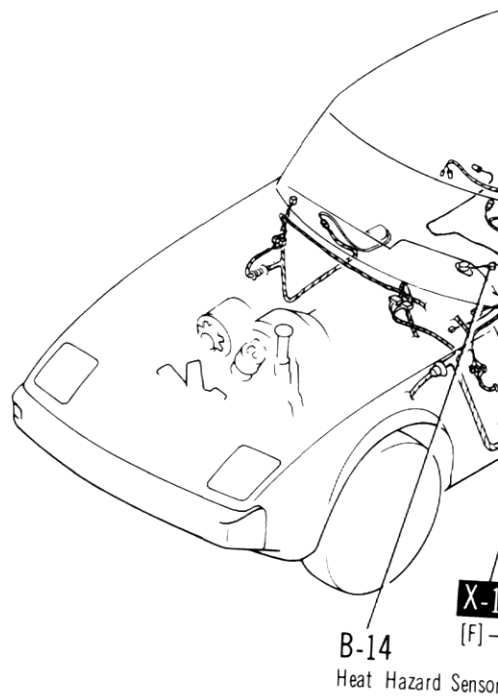
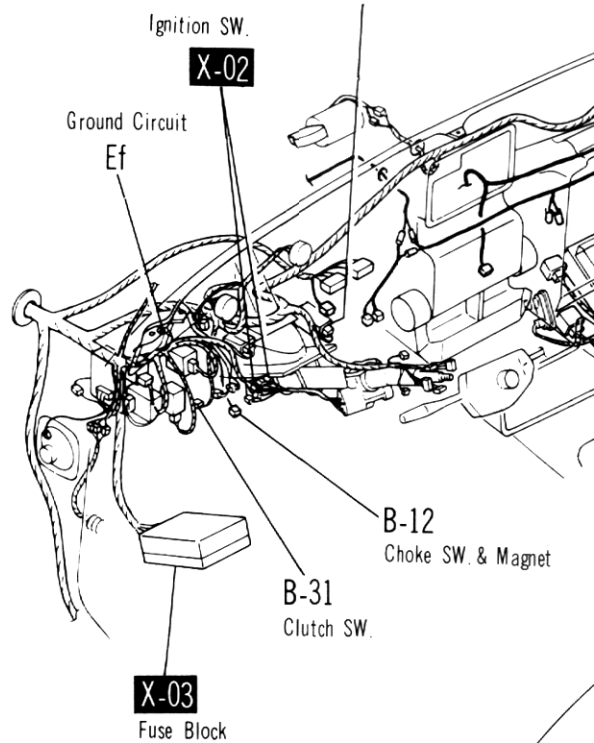
B-27 Richer Sol.

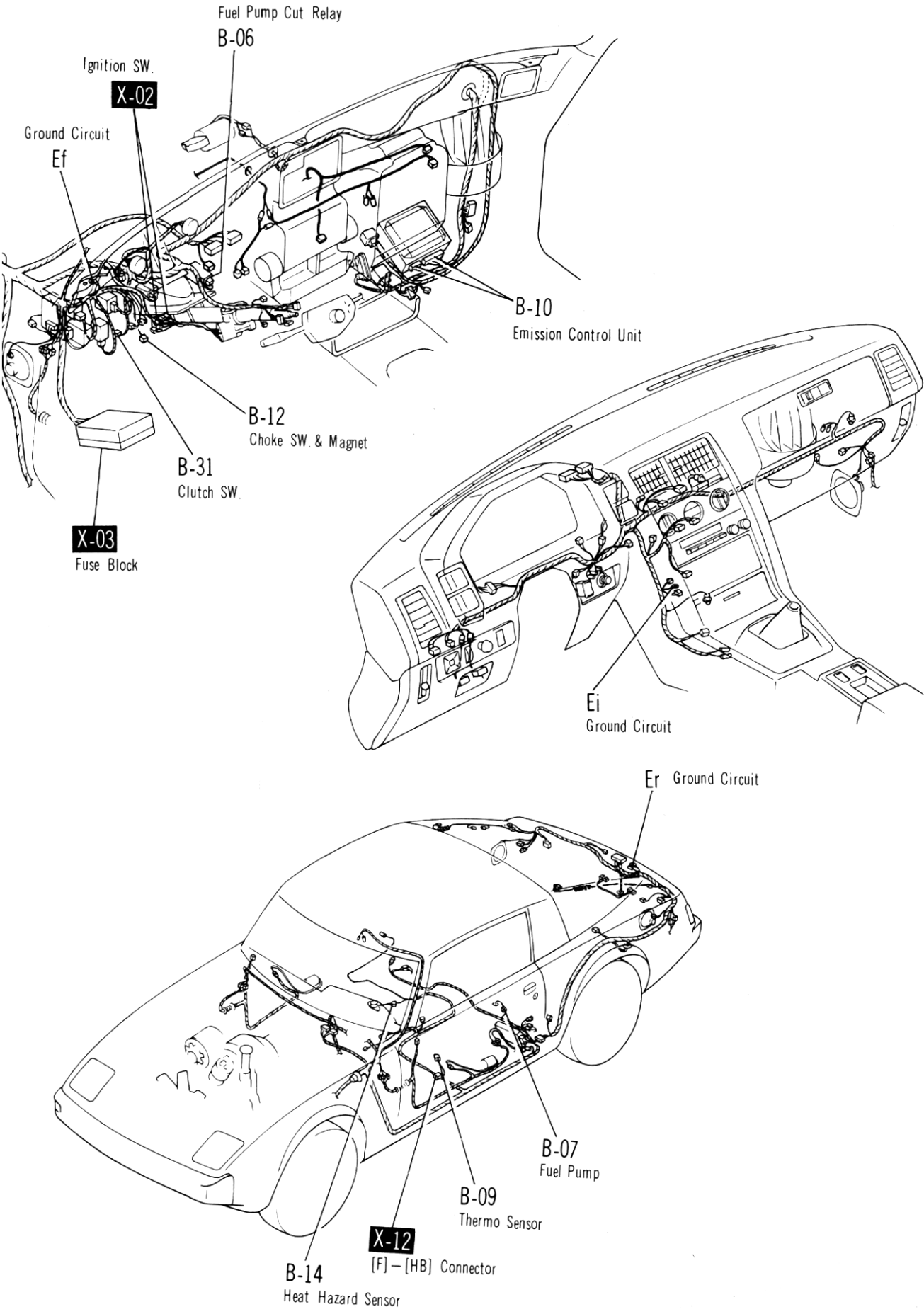
B-11 Carb. Heater
B-18 Short Connector
B-08 Air Vent Sol. Valve
B-30 Neutral SW.

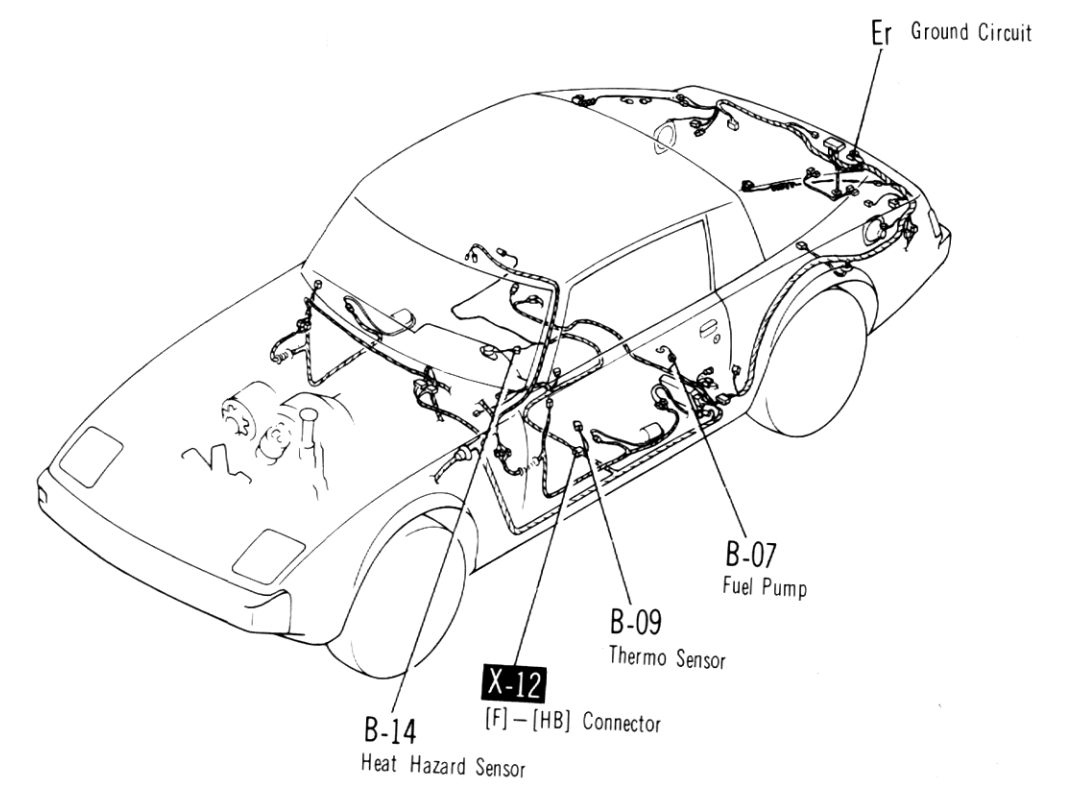
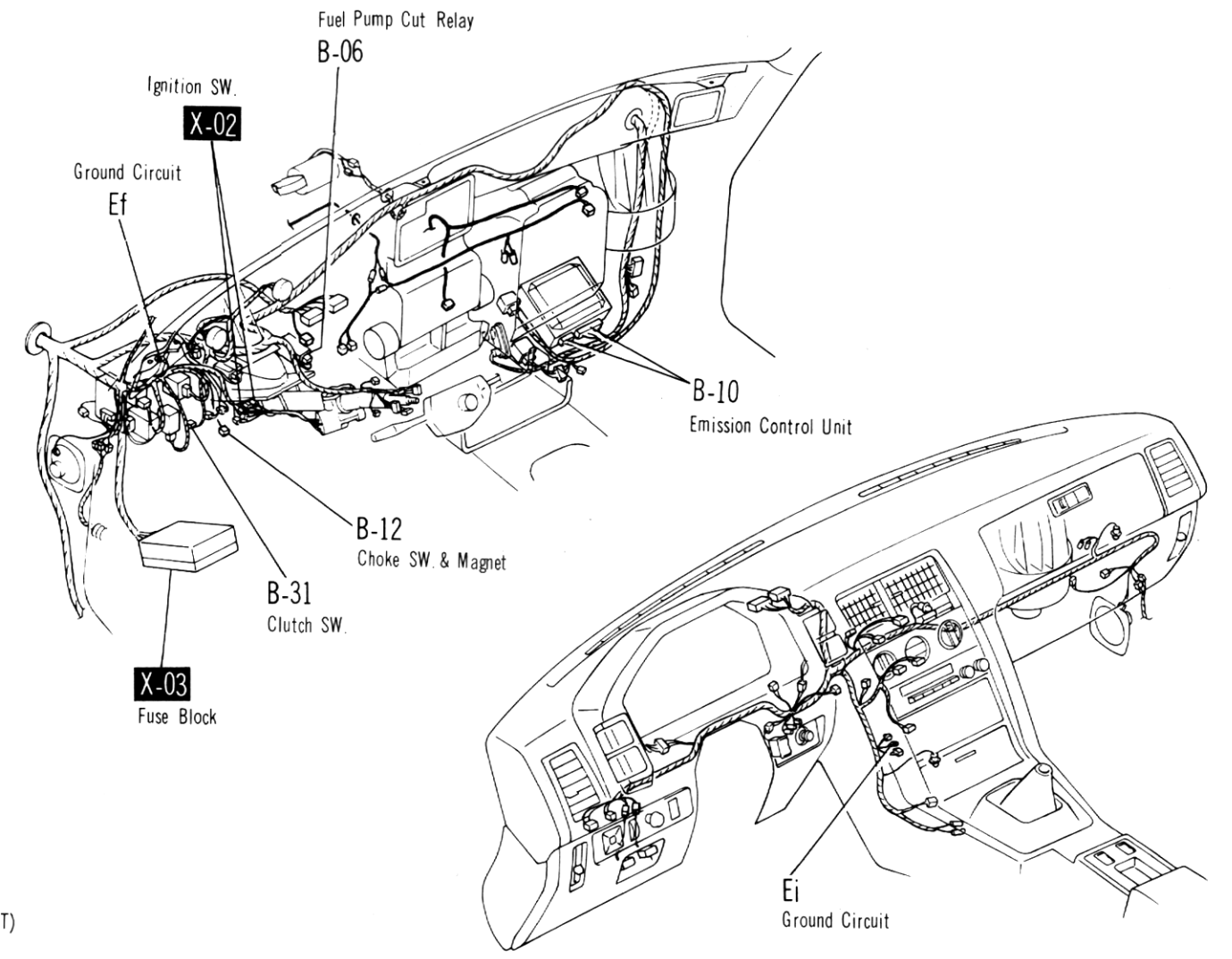
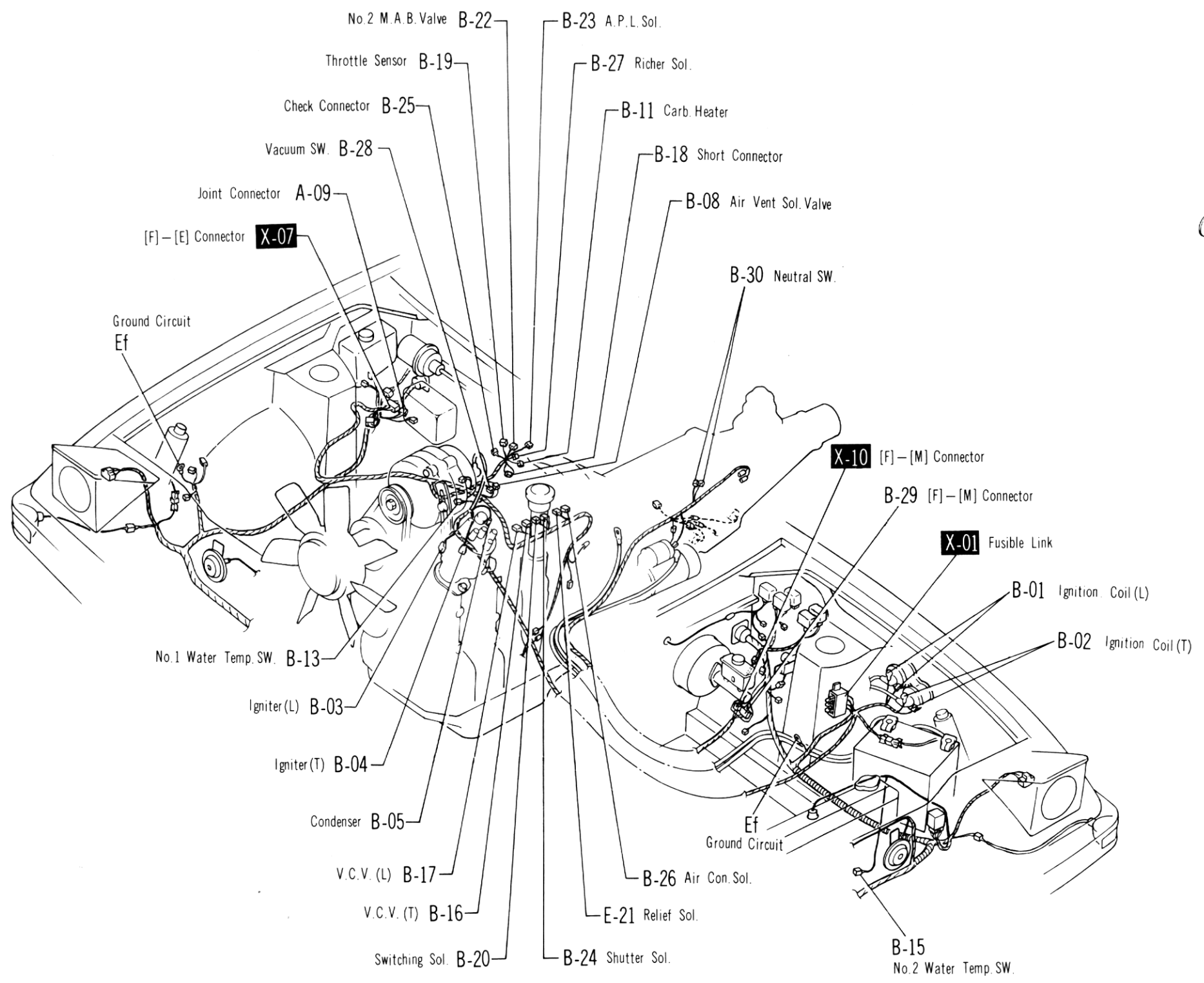


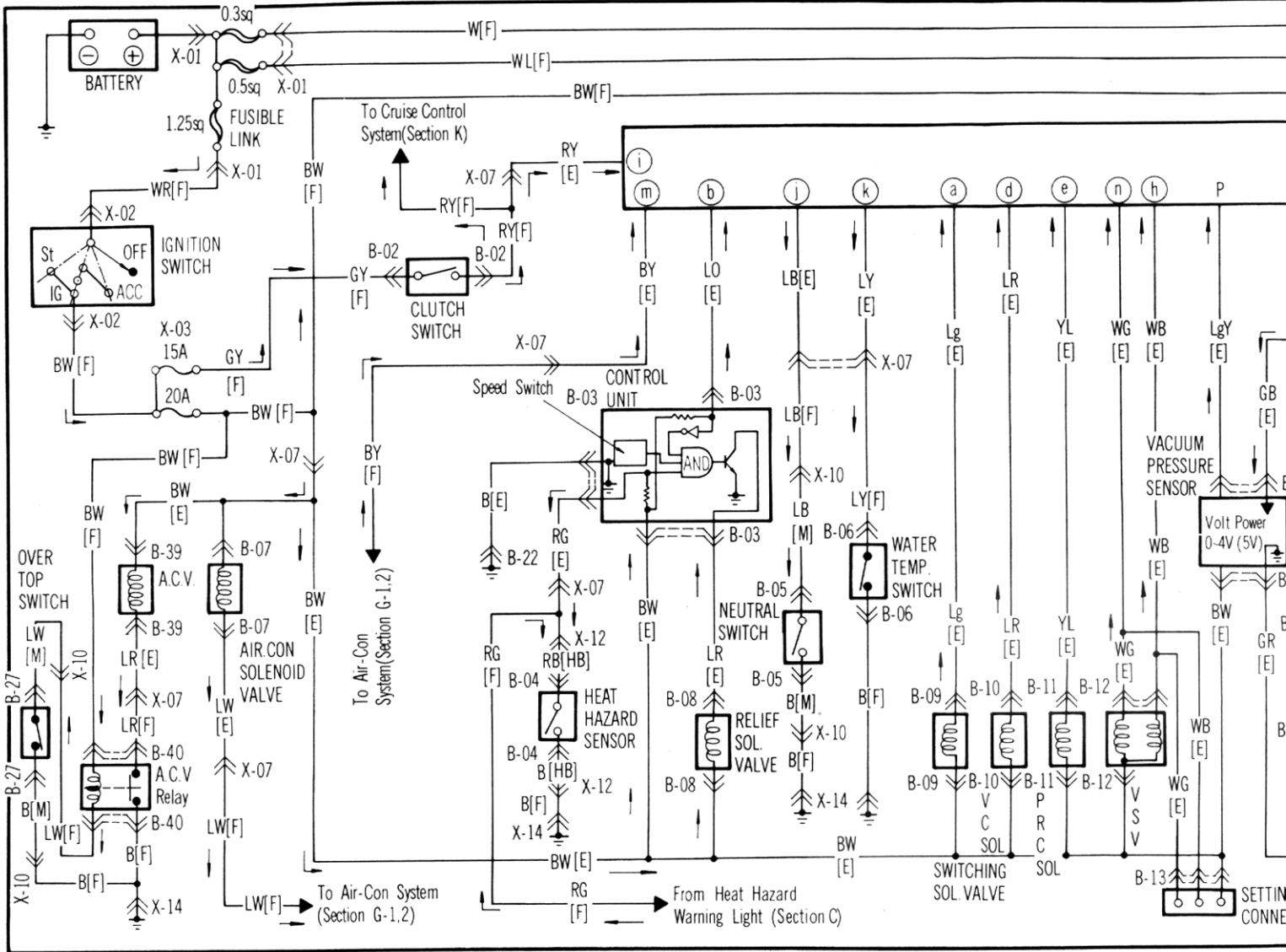
24 Shutter Sol.

Fuel Pump Cut Relay
B-06





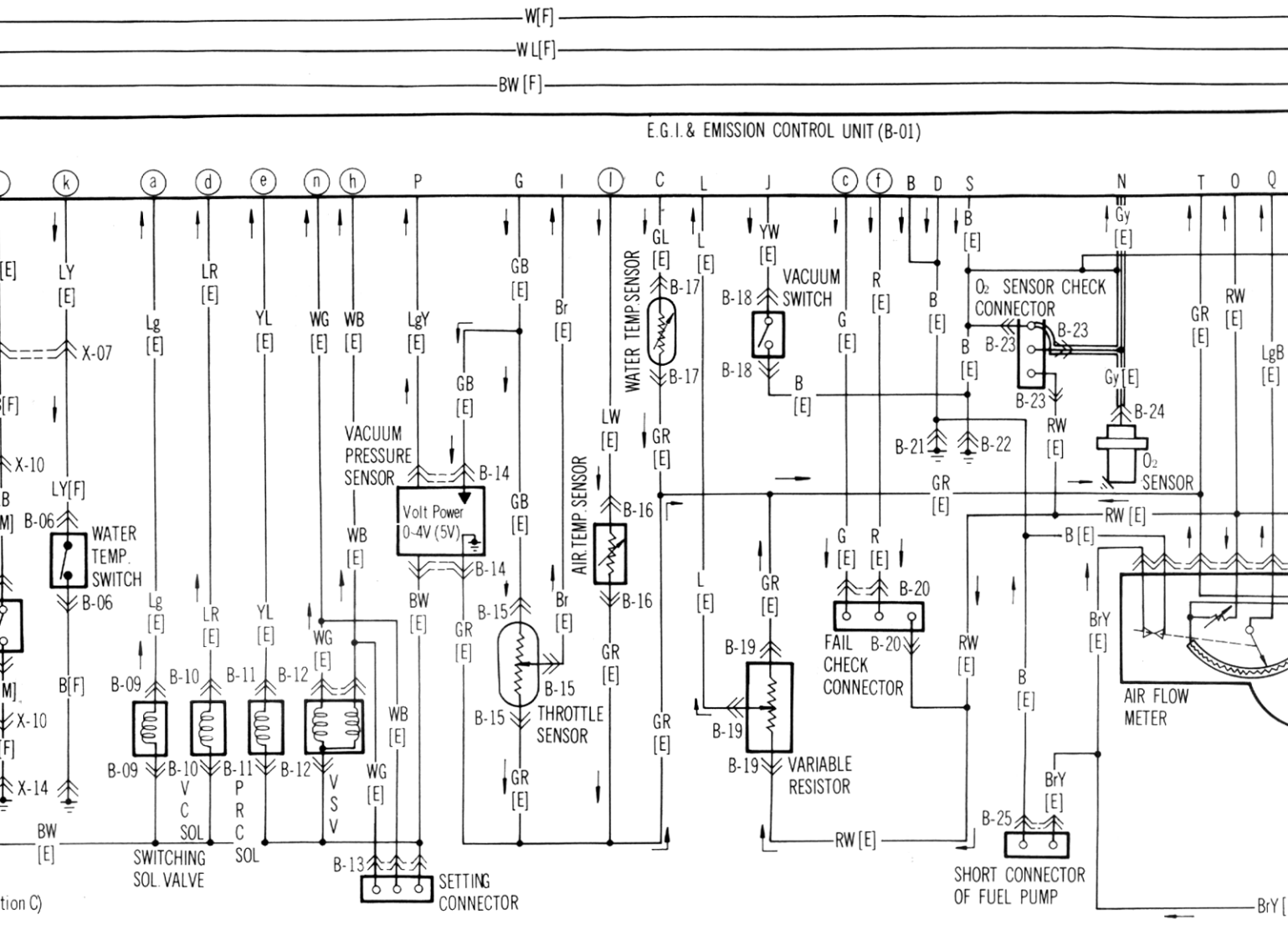




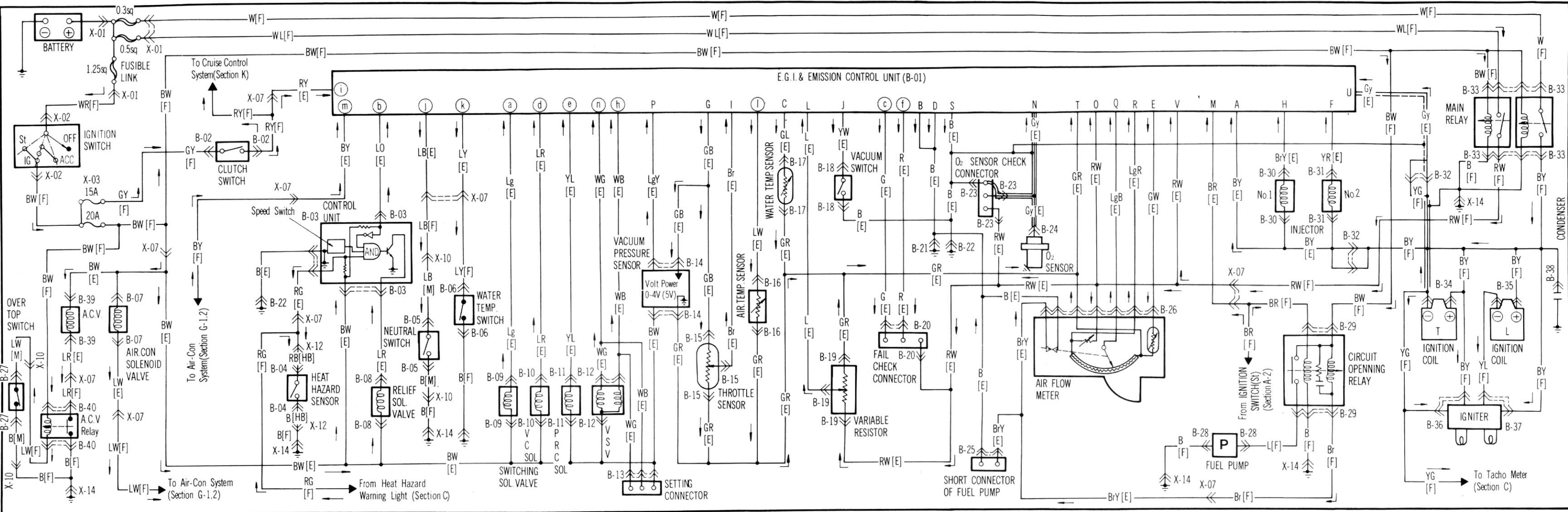
B-01 E.G.I. & Emission Control Unit [E] 		B-02 Clutch Switch [F] 		B-03 Control Unit [E] 	
B-10 Vacuum Control Solenoid Valve [E] (Green) 	B-11 P.R.C.V. [E] (Orange) 	B-12 V.S.V. [E] 	B-13 Setting Connector [E] 	B-14 Vacuum Pressure Sensor [E] 	
B-21 Ground [E] 	B-22 Ground [E] 	B-23 O₂ Sensor Check Connector [E] 	B-24 O₂ Sensor [E] 	B-25 Short Connector of Fuel Pump [E] 	
B-31 Injector No.2 [E] 	B-32 Connector Between Front [F] and Engine Harness [E] 	B-33 Main Relay [F] 	B-34 Igniton Coil (T) [F] 	B-35 Ignition Coil (L) [F] 	

Note: ✕...Not Used

SYSTEM ■ IGNITION SYSTEM ■ FUEL PUMP

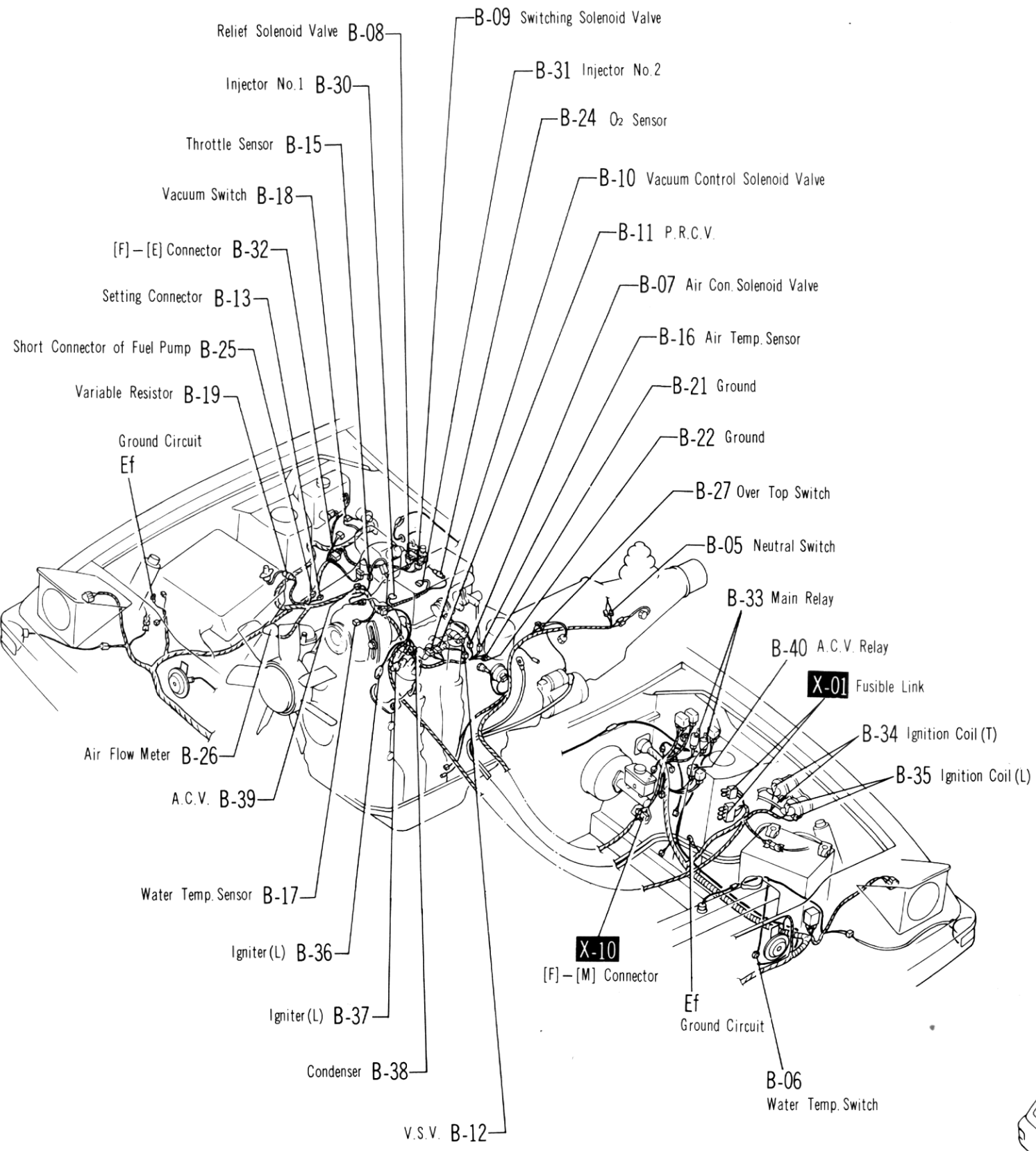


<p>B-02-Clutch Switch [F]</p>	<p>B-03 Control Unit [E]</p>	<p>B-04 Heat Hazard Sensor [HB]</p>	<p>B-05 Neutral Switch [M]</p>	<p>B-06 Water Temp. Switch [F]</p>
<p>B-13 Setting Connector [E]</p>	<p>B-14 Vacuum Pressure Sensor [E]</p>	<p>B-15 Throttle Sensor [E]</p>	<p>B-16 Air Temp. Sensor [E]</p>	<p>B-17 Water Temp. Sensor [E]</p>
<p>B-24 O₂ Sensor [E]</p>	<p>B-25 Short Connector of Fuel Pump [E]</p>	<p>B-26 Air Flow Meter [E]</p>	<p>B-27 Over Top Switch [M]</p>	
<p>B-34 Igniton Coil (T) [F]</p>	<p>B-35 Ignition Coil (L) [F]</p>	<p>B-36 Igniter (T) [F]</p>	<p>B-37 Igniter (L) [F]</p>	<p>B-38 Condenser</p>



<p>B-01 E.G.I. & Emission Control Unit [E]</p>	<p>B-02 Clutch Switch [F]</p>	<p>B-03 Control Unit [E]</p>	<p>B-04 Heat Hazard Sensor [HB]</p>	<p>B-05 Neutral Switch [M]</p>	<p>B-06 Water Temp. Switch [F]</p>	<p>B-07 Air Con. Solenoid Valve [E]</p>	<p>B-08 Relief Solenoid Valve [E] (Blue)</p>	<p>B-09 Switching Solenoid Valve [E] (Gray)</p>		
<p>B-10 Vacuum Control Solenoid Valve [E] (Green)</p>	<p>B-11 P.R.C.V. [E] (Orange)</p>	<p>B-12 V.S.V. [E]</p>	<p>B-13 Setting Connector [E]</p>	<p>B-14 Vacuum Pressure Sensor [E]</p>	<p>B-15 Throttle Sensor [E]</p>	<p>B-16 Air Temp. Sensor [E]</p>	<p>B-17 Water Temp. Sensor [E]</p>	<p>B-18 Vacuum Switch [E]</p>	<p>B-19 Variable Resistor [E]</p>	<p>B-20 Fail check Connector [E]</p>
<p>B-21 Ground [E]</p>	<p>B-22 Ground [E]</p>	<p>B-23 O₂ Sensor Check Connector [E]</p>	<p>B-24 O₂ Sensor [E]</p>	<p>B-25 Short Connector of Fuel Pump [E]</p>	<p>B-26 Air Flow Meter [E]</p>	<p>B-27 Over Top Switch [M]</p>	<p>B-28 Fuel Pump [F]</p>	<p>B-29 Circuit Opening Relay [F]</p>	<p>B-30 Injector No.1 [E]</p>	
<p>B-31 Injector No.2 [E]</p>	<p>B-32 Connector Between Front [F] and Engine Harness [E]</p>	<p>B-33 Main Relay [F]</p>	<p>B-34 Igniton Coil (T) [F]</p>	<p>B-35 Ignition Coil (L) [F]</p>	<p>B-36 Igniter (T) [F]</p>	<p>B-37 Igniter (L) [F]</p>	<p>B-38 Condenser</p>	<p>B-39 A.C.V. [E]</p>	<p>B-40 A.C.V. Relay [F]</p>	

Note: ✕...Not Used



Control Solenoid Valve

V

Con. Solenoid Valve

Air Temp. Sensor

1 Ground

22 Ground

B-27 Over Top Switch

B-05 Neutral Switch

B-33 Main Relay

B-40 A.C.V. Relay

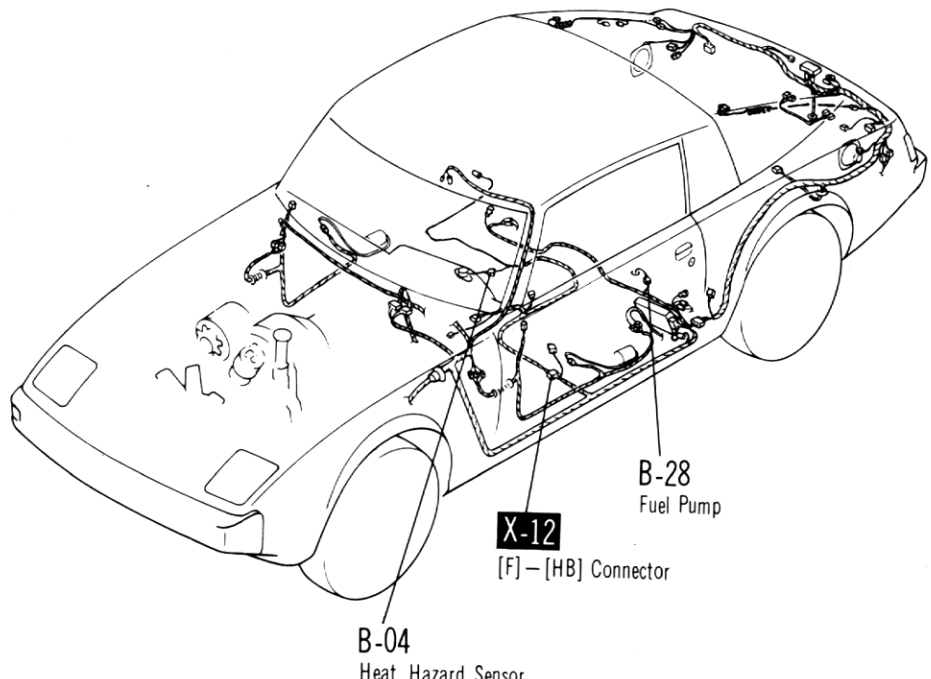
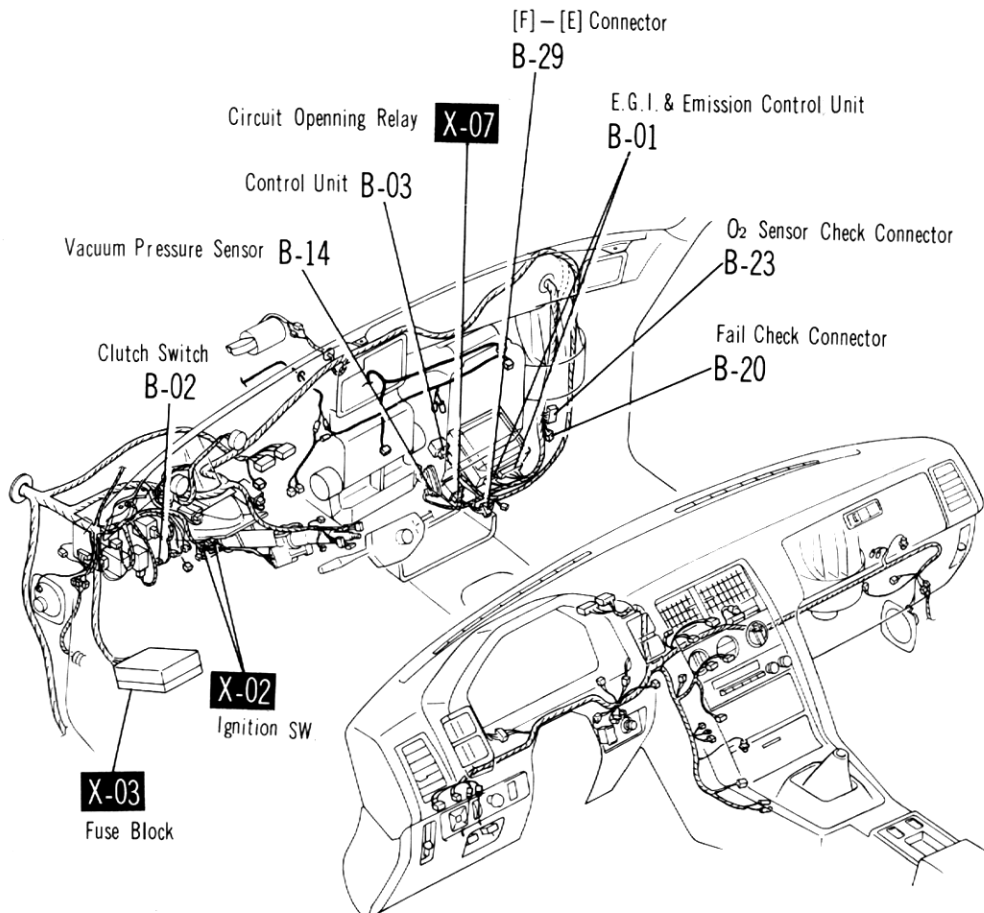
X-01 Fusible Link

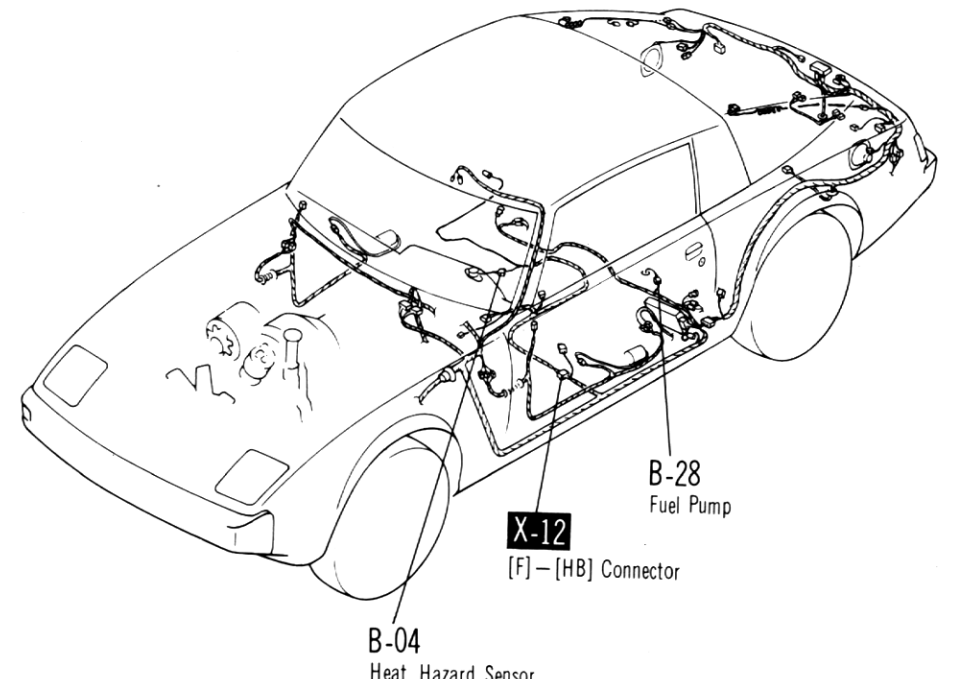
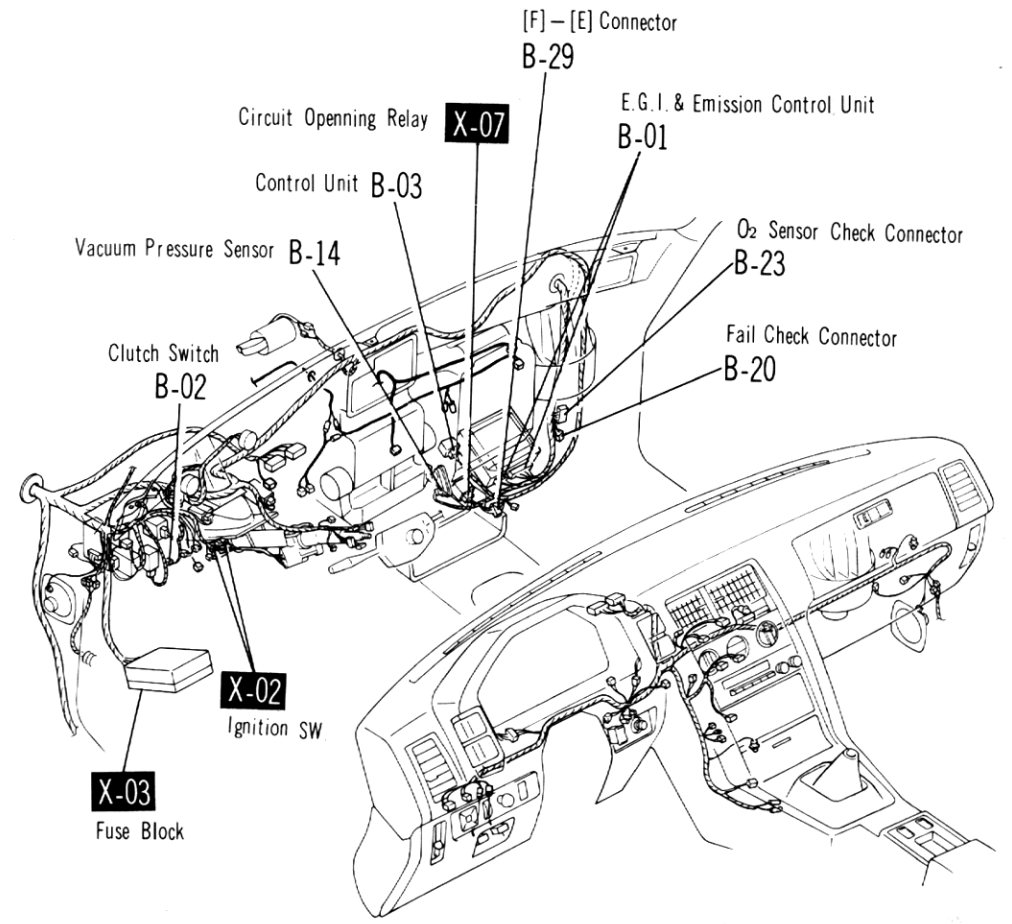
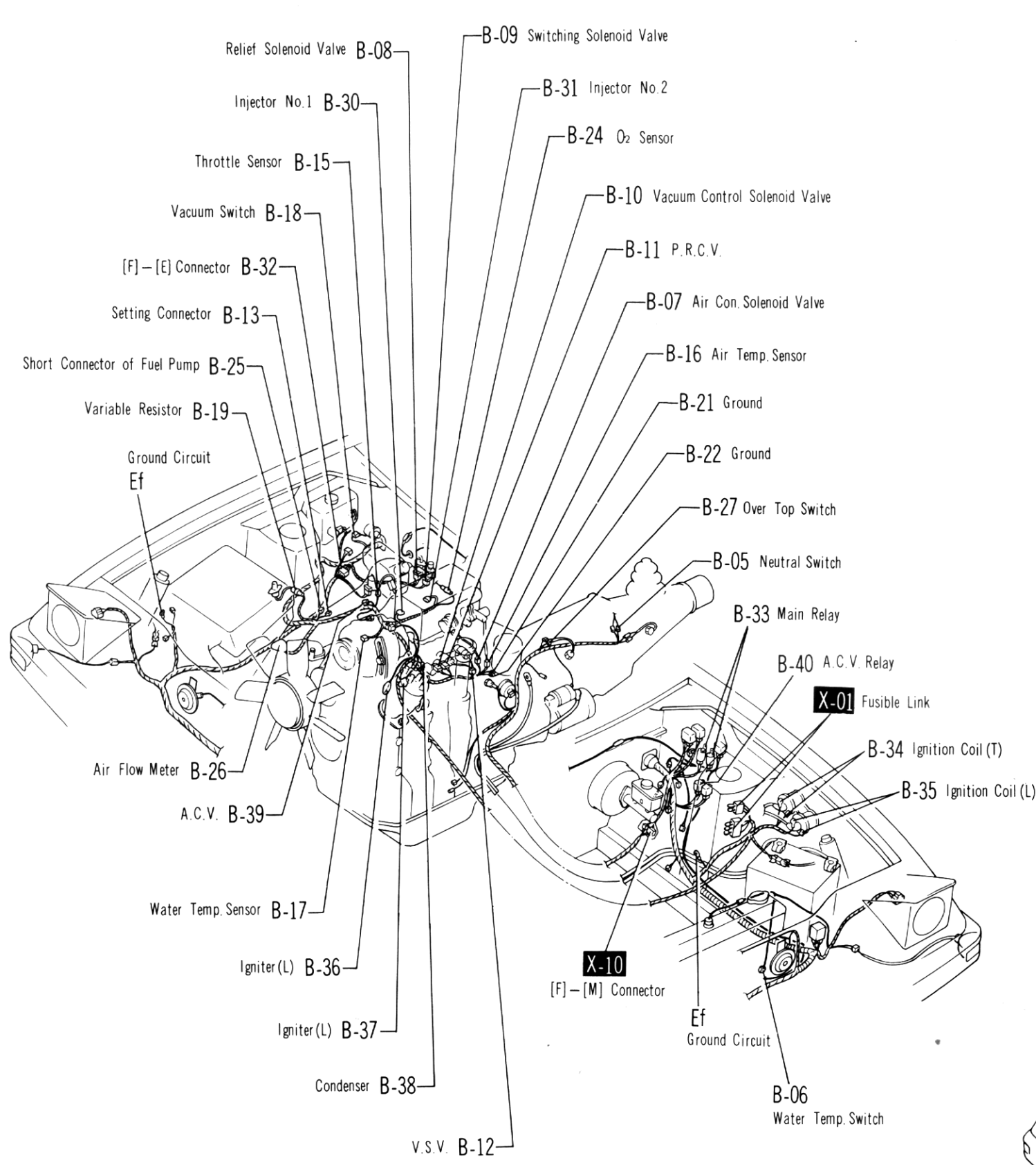
B-34 Ignition Coil (T)

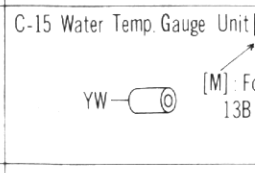
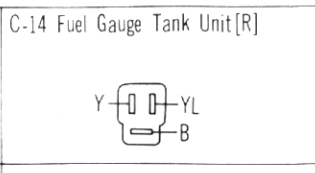
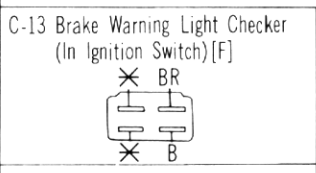
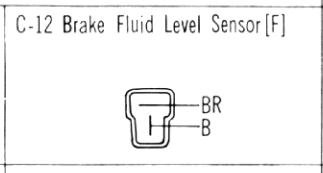
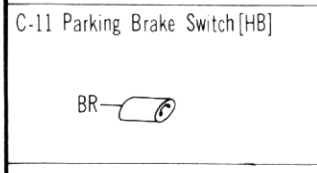
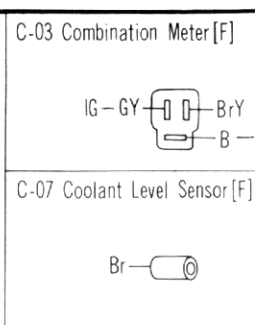
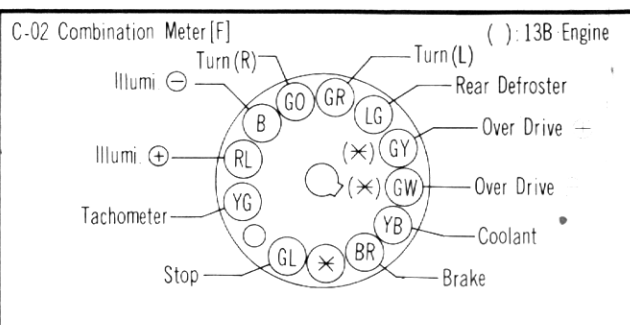
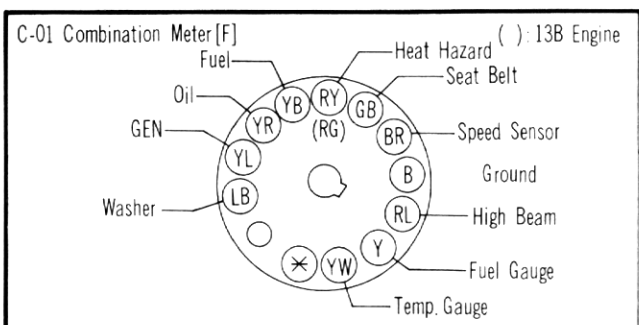
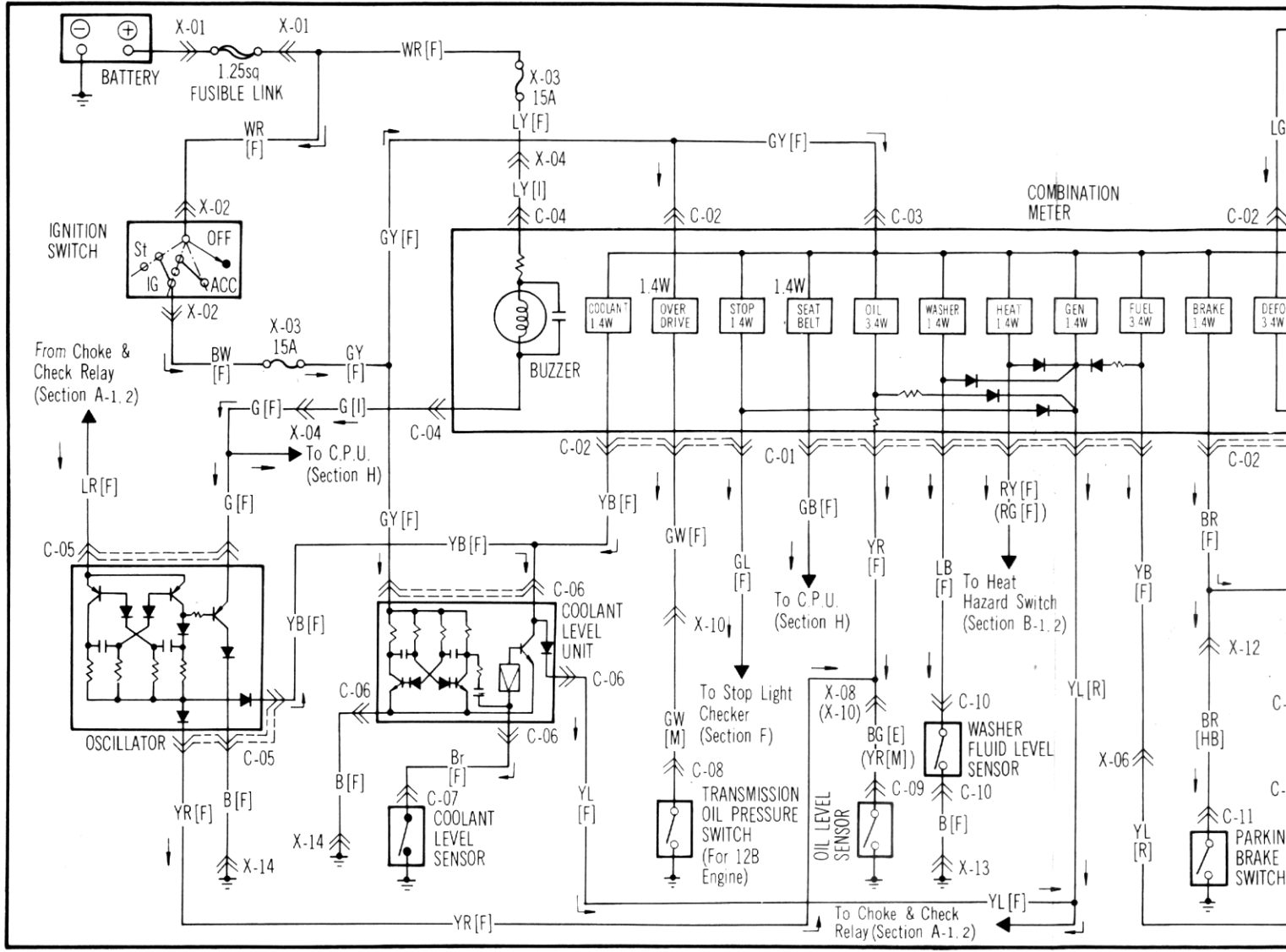
B-35 Ignition Coil (L)

Ground Circuit

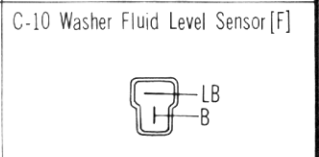
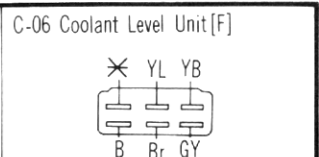
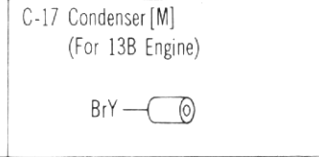
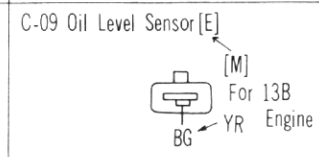
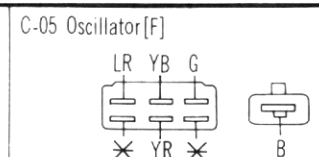
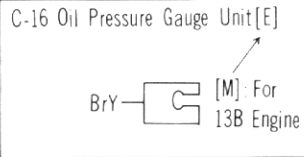
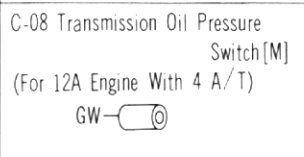
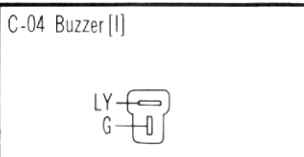
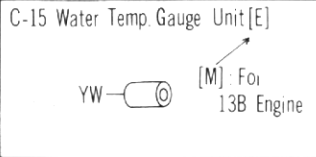
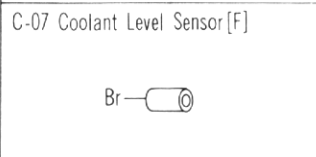
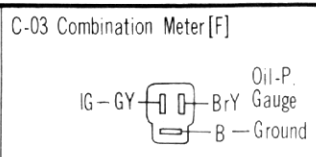
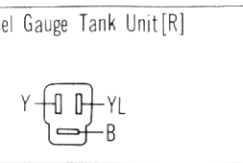
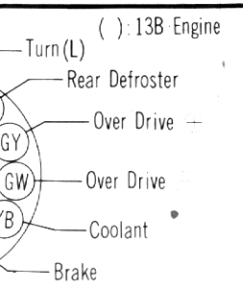
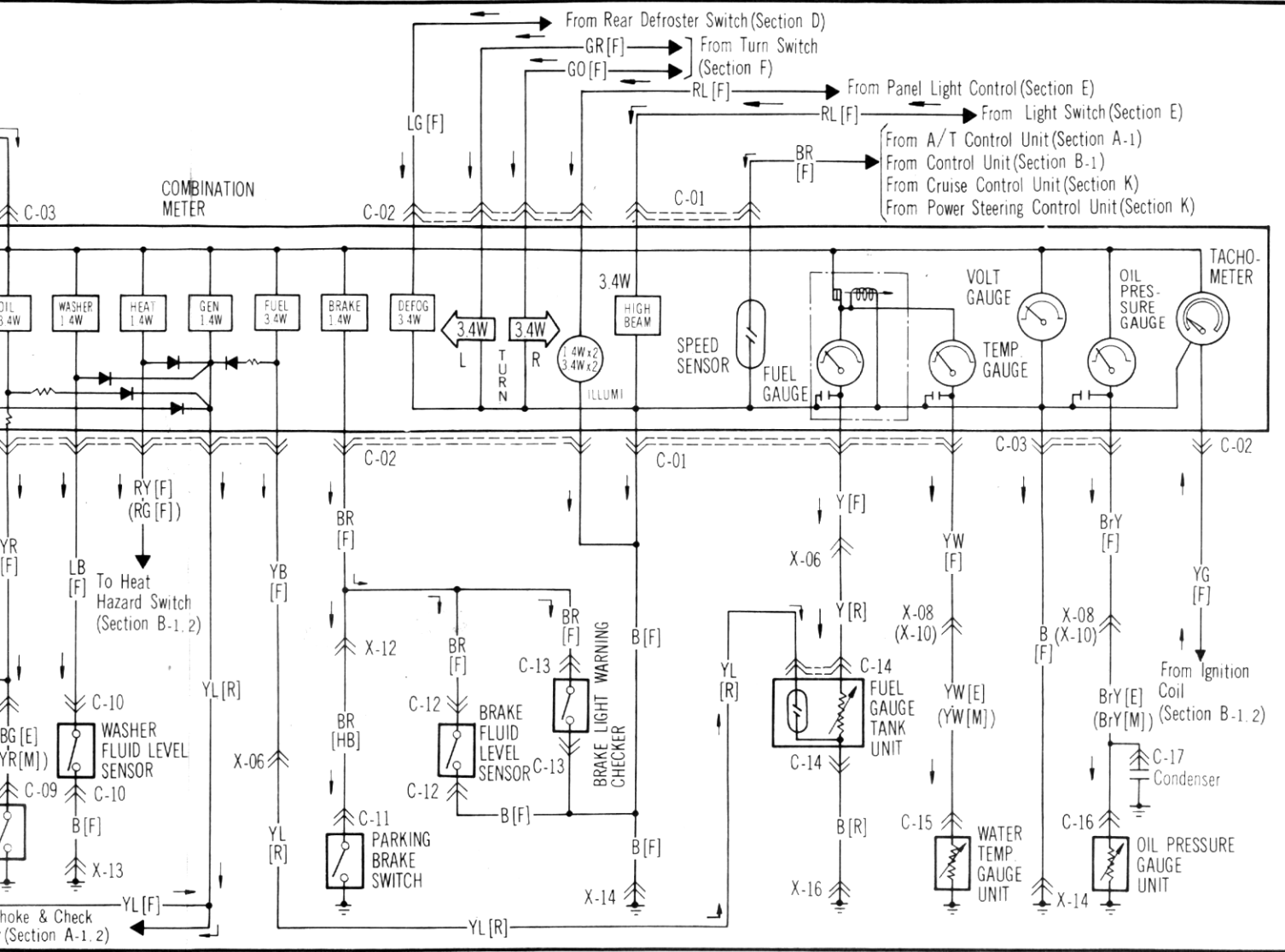
B-06 Water Temp. Switch

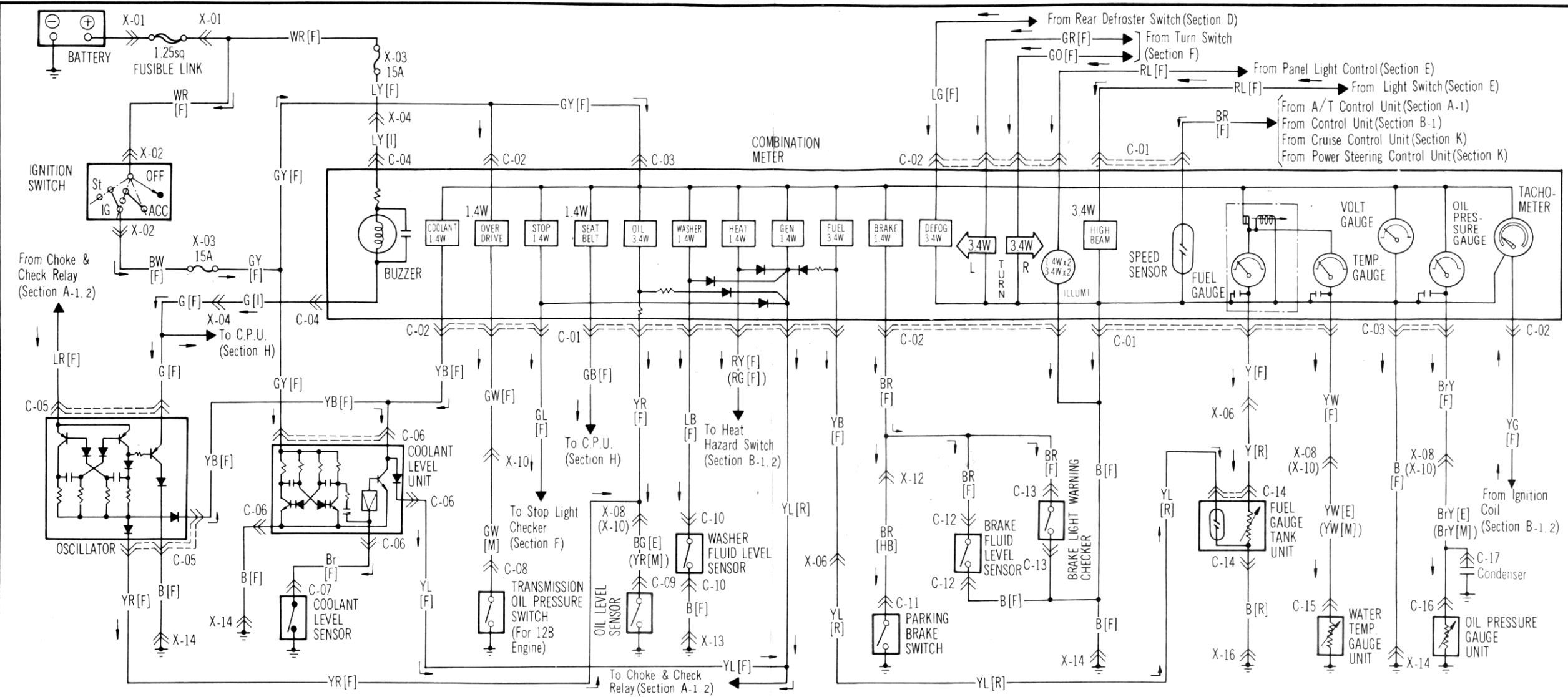






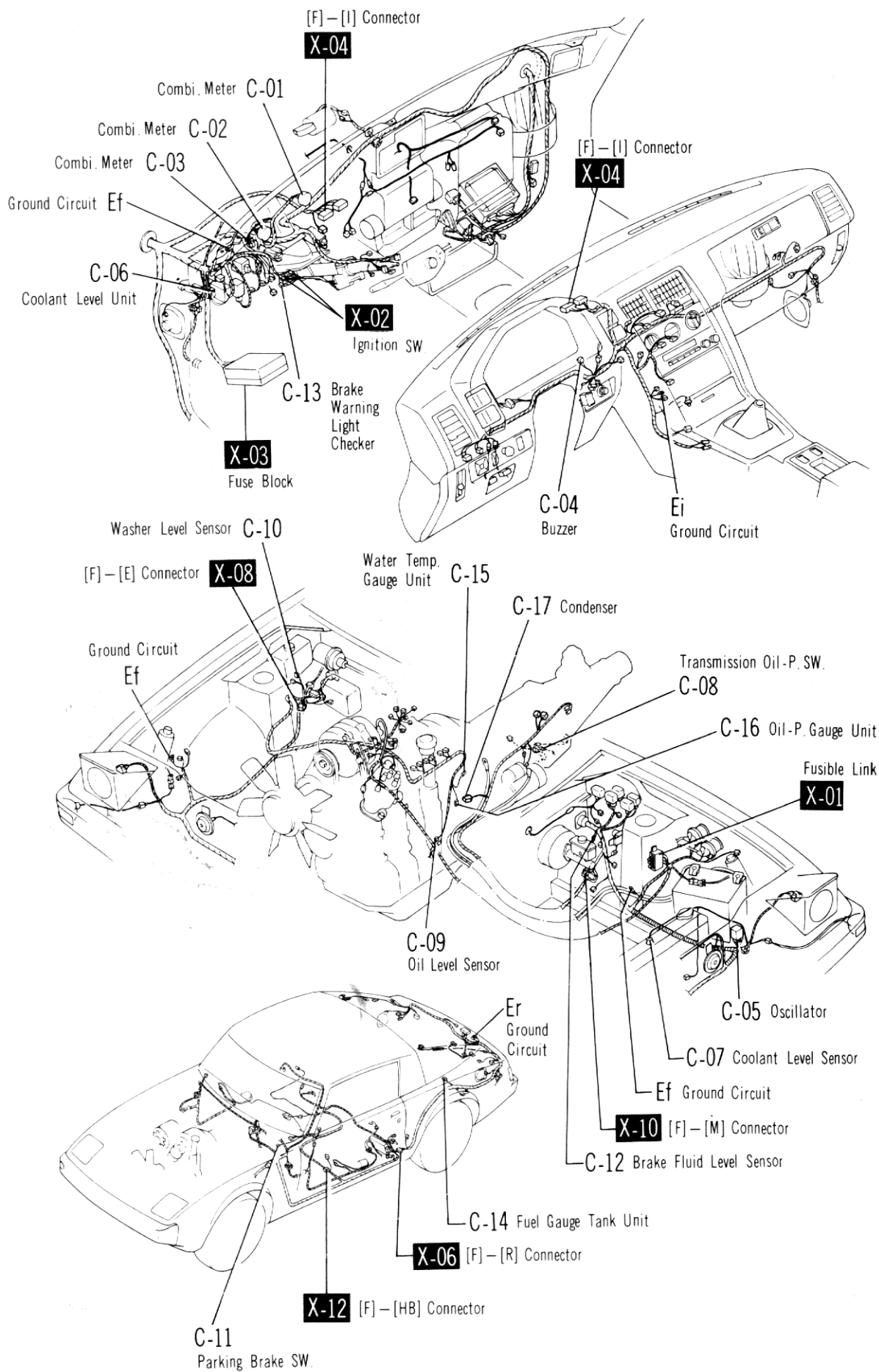
Note: ✕ ... Not Used, () ... For 13B Engine

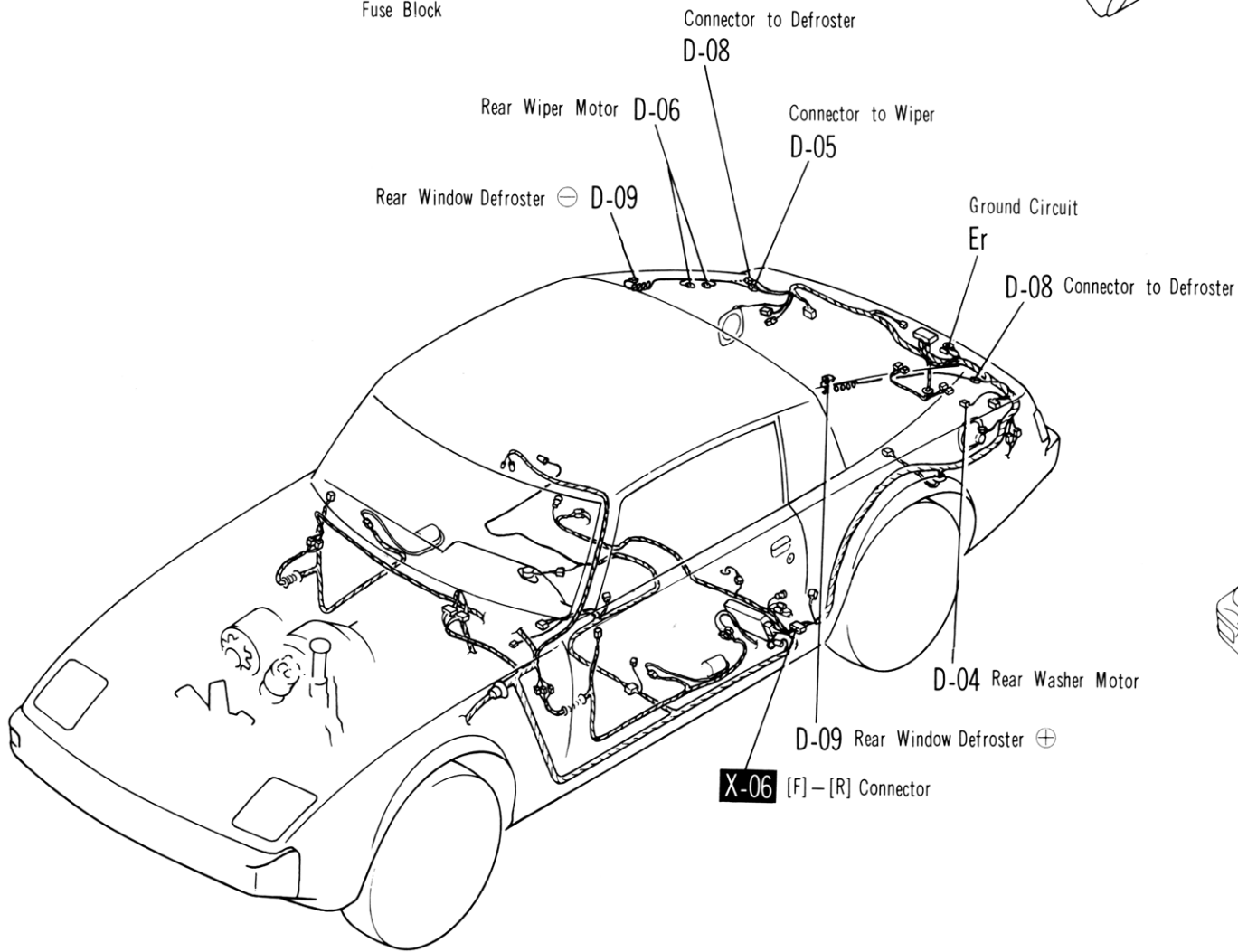
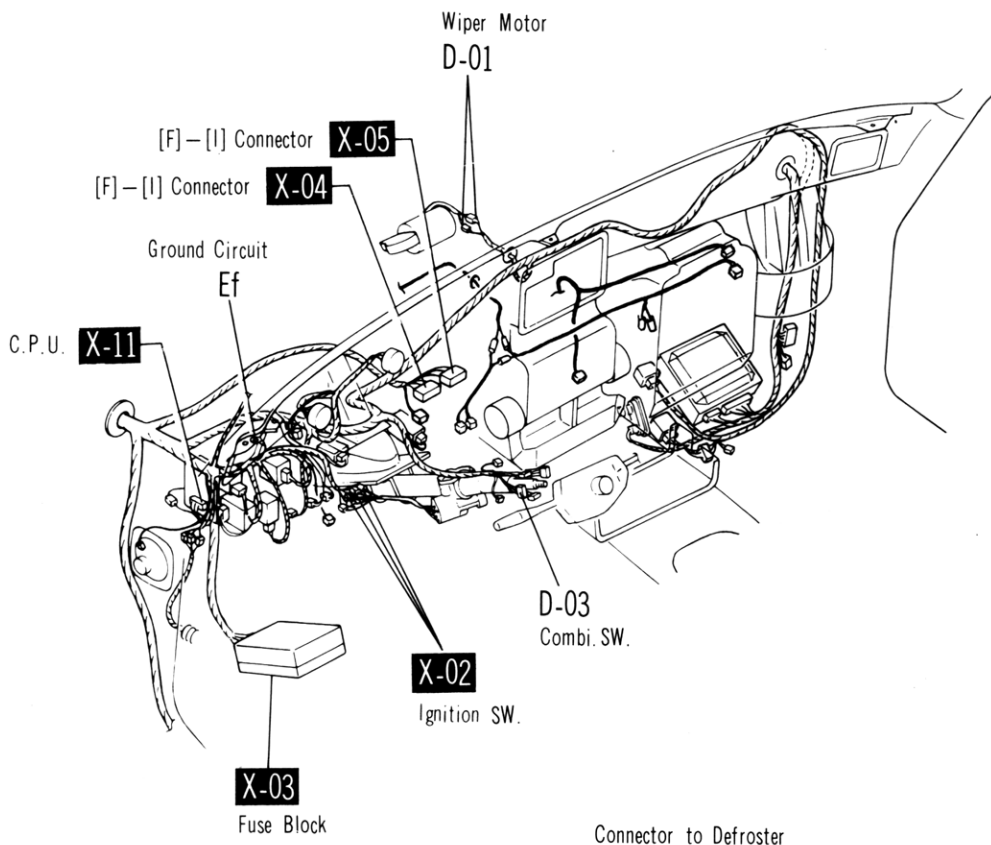


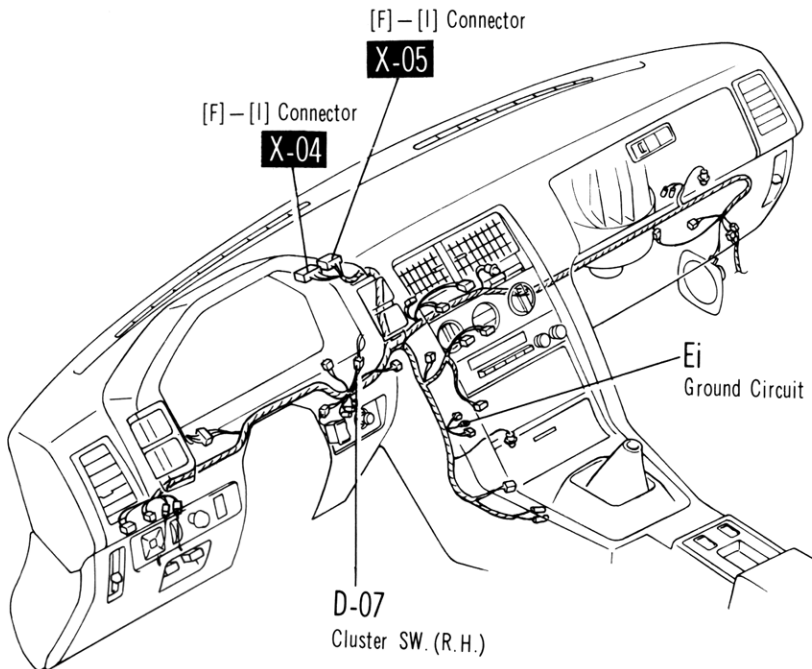
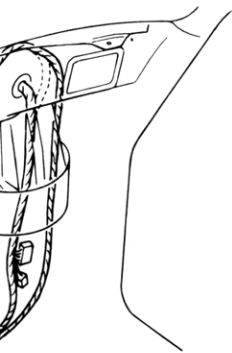


<p>C-01 Combination Meter [F]</p>	<p>C-02 Combination Meter [F]</p>	<p>C-03 Combination Meter [F]</p>	<p>C-04 Buzzer [I]</p>	<p>C-05 Oscillator [F]</p>	<p>C-06 Coolant Level Unit [F]</p>
<p>C-07 Coolant Level Sensor [F]</p>	<p>C-08 Transmission Oil Pressure Switch [M]</p> <p>(For 12A Engine With 4 A/T)</p>	<p>C-09 Oil Level Sensor [E]</p>	<p>C-10 Washer Fluid Level Sensor [F]</p>	<p>C-11 Parking Brake Switch [HB]</p>	<p>C-12 Brake Fluid Level Sensor [F]</p>
<p>C-13 Brake Warning Light Checker (In Ignition Switch) [F]</p>	<p>C-14 Fuel Gauge Tank Unit [R]</p>	<p>C-15 Water Temp. Gauge Unit [E]</p>	<p>C-16 Oil Pressure Gauge Unit [E]</p>	<p>C-17 Condenser [M]</p> <p>(For 13B Engine)</p>	

Note: ✕ ... Not Used, () ... For 13B Engine

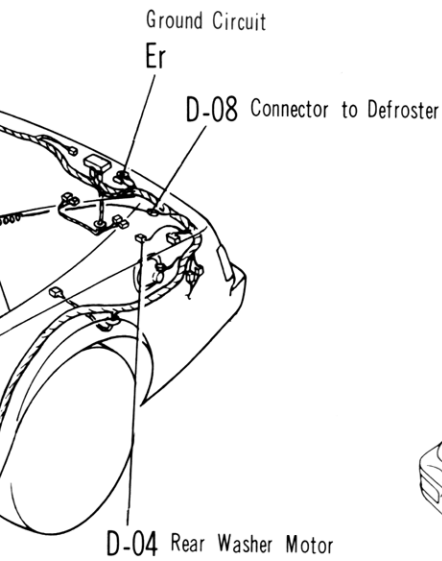






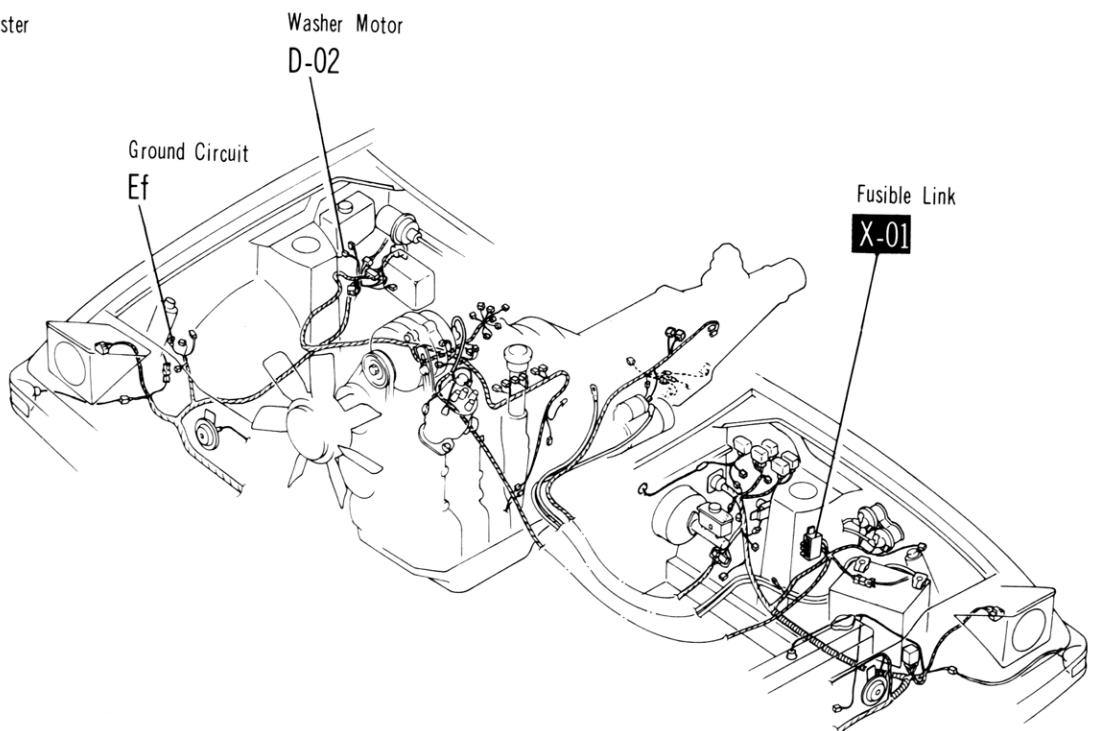
ter

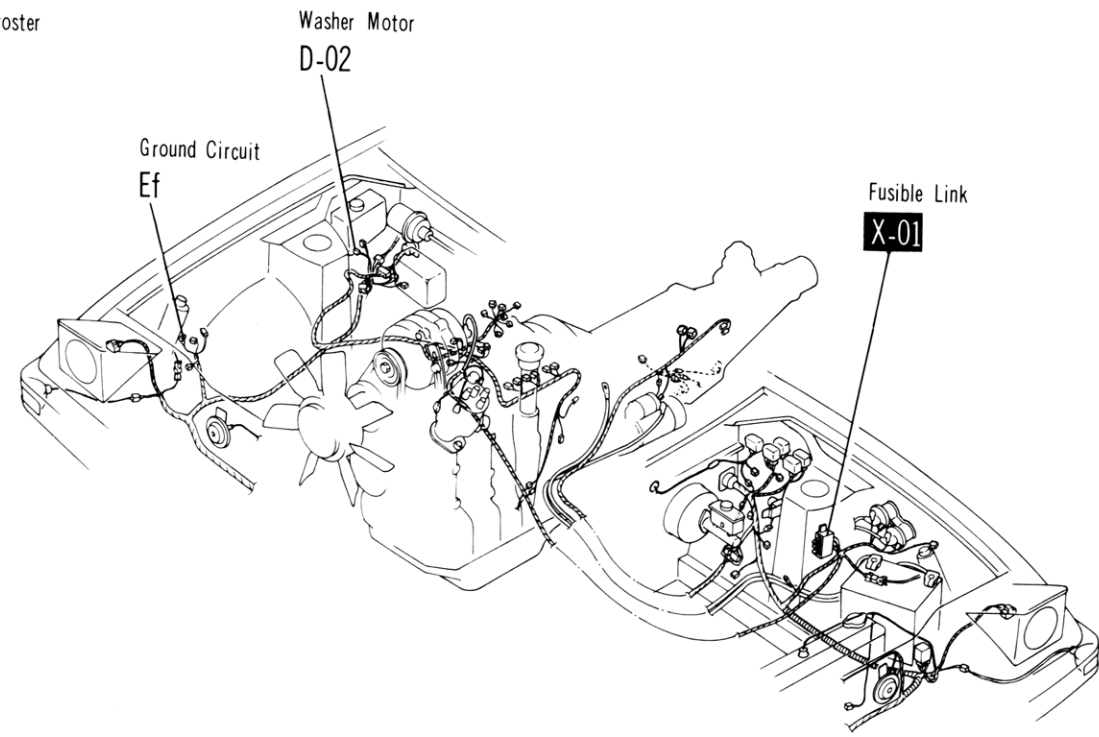
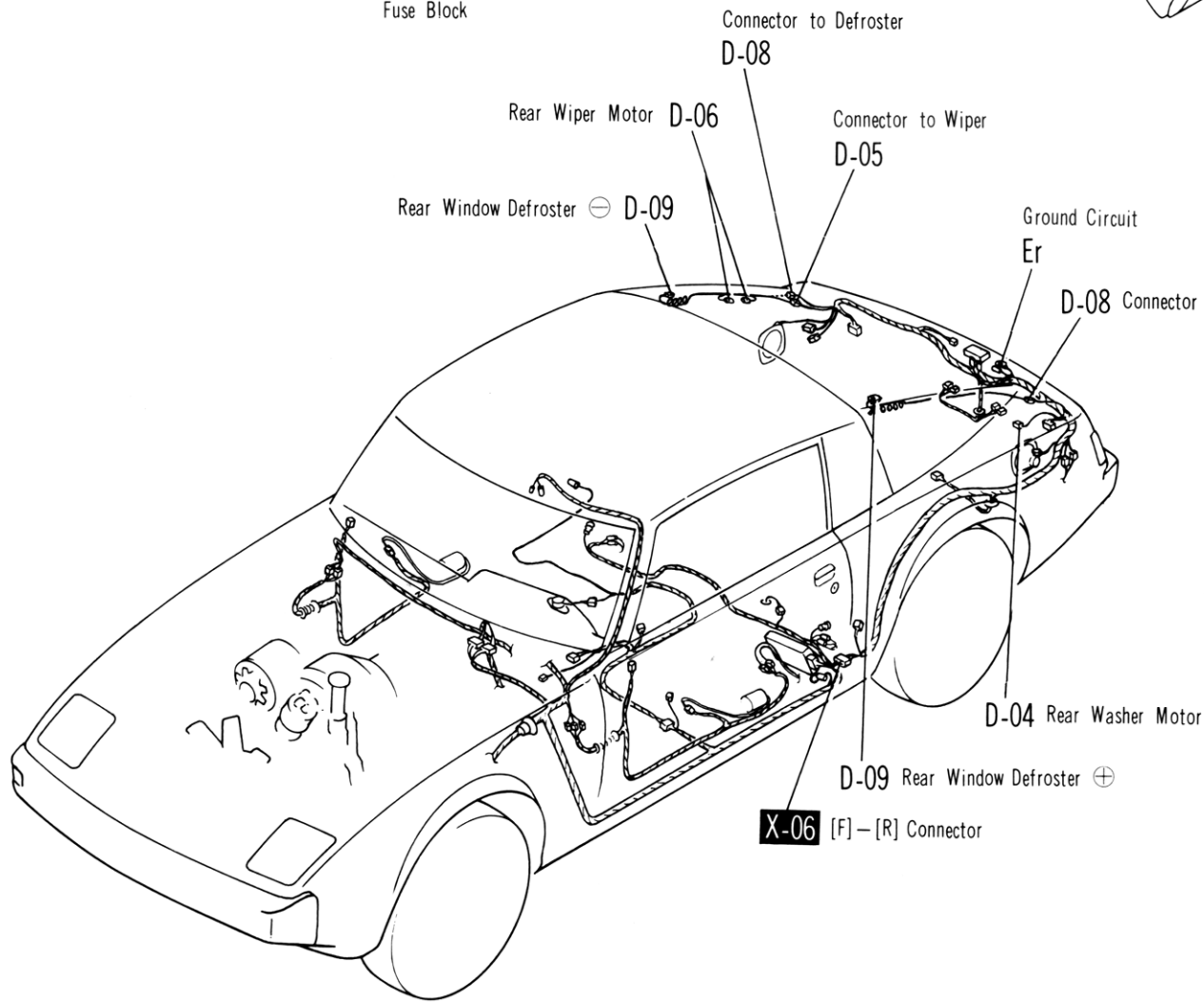
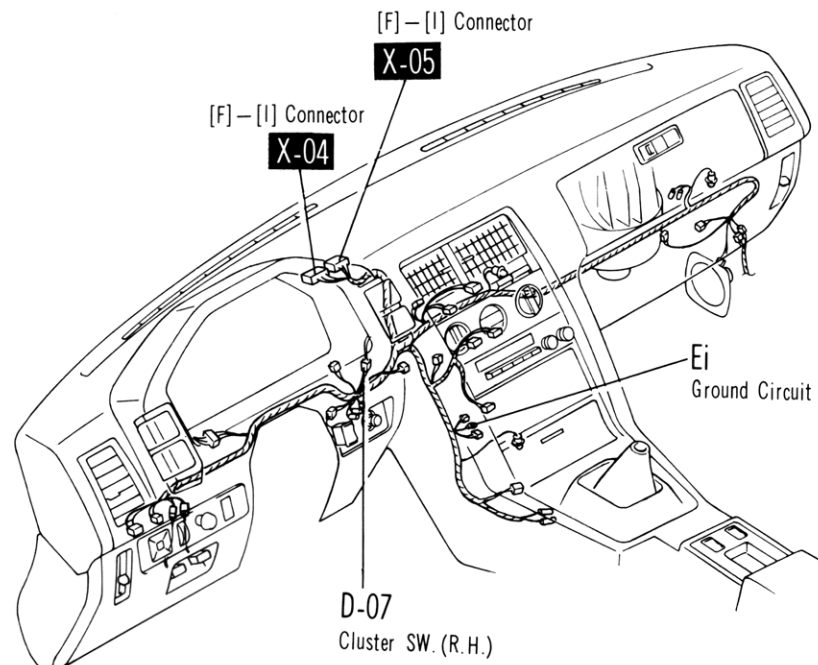
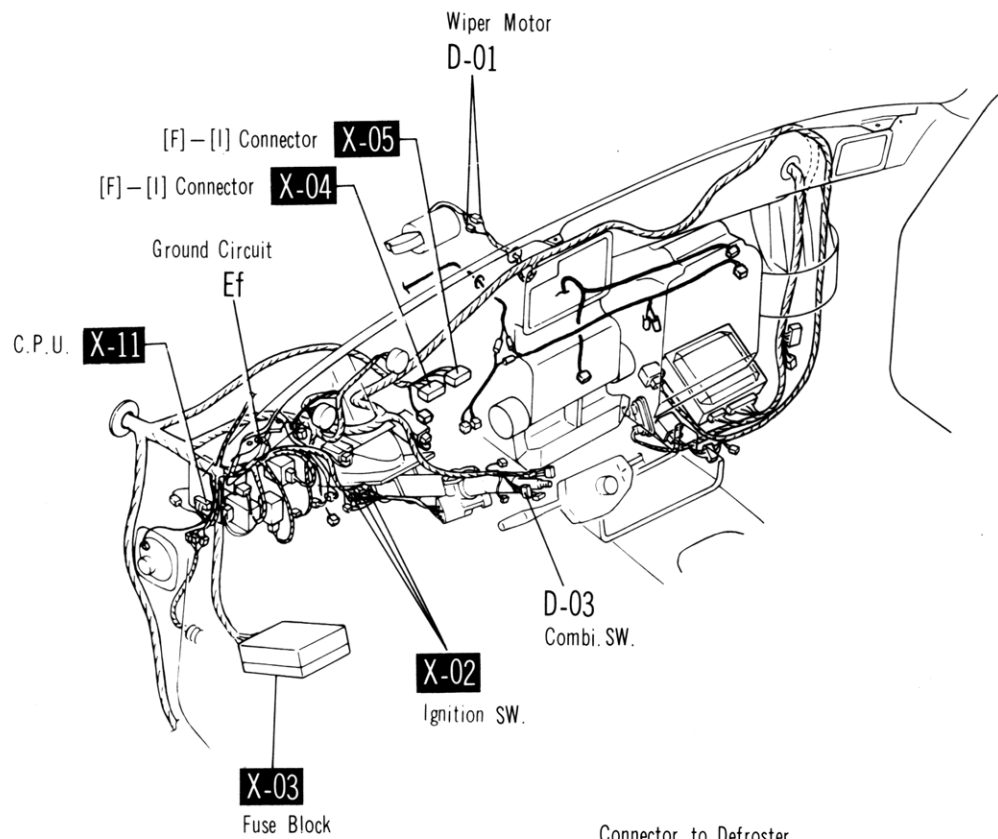
ector to Wiper



) Rear Window Defroster ⊕

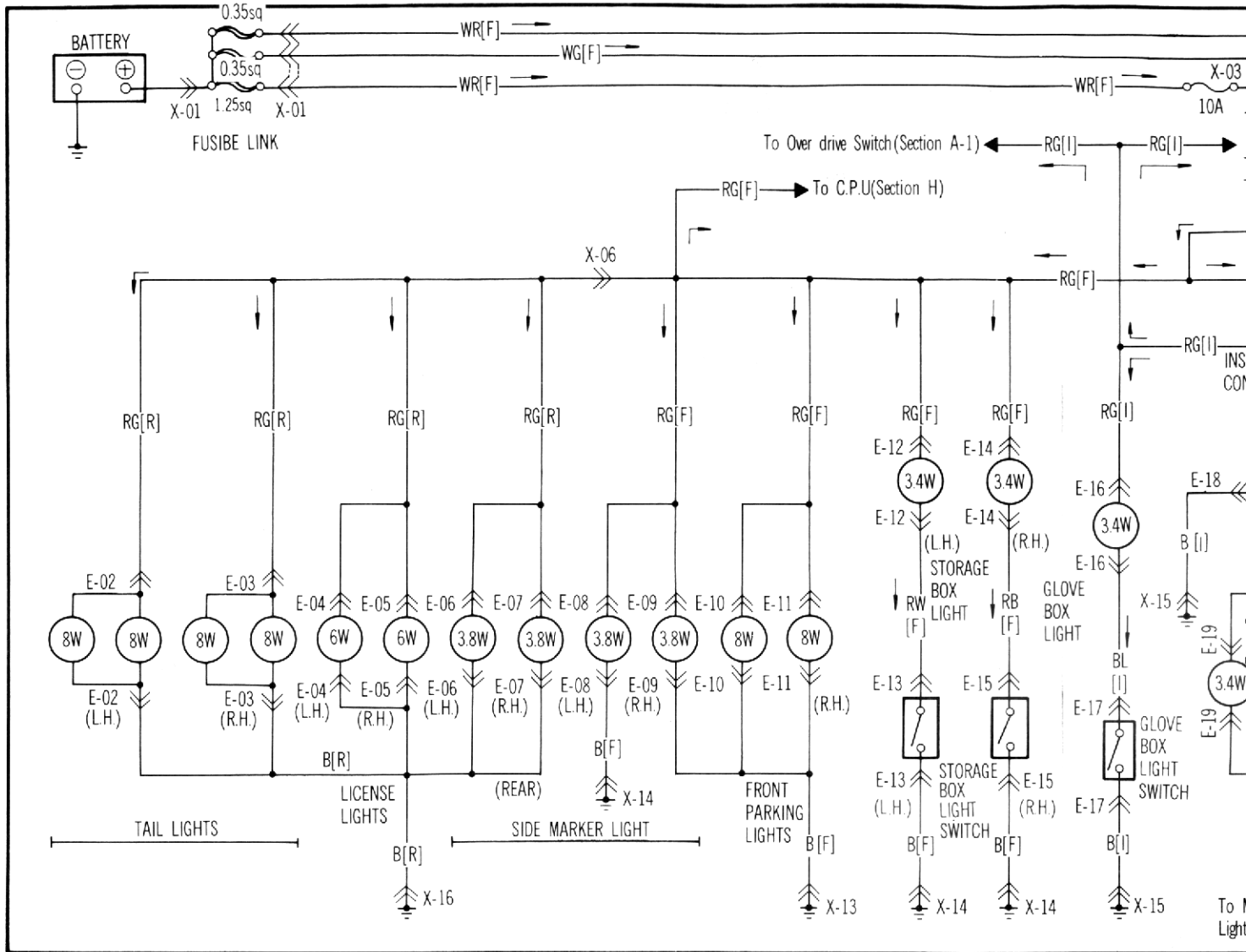
R] Connector





E

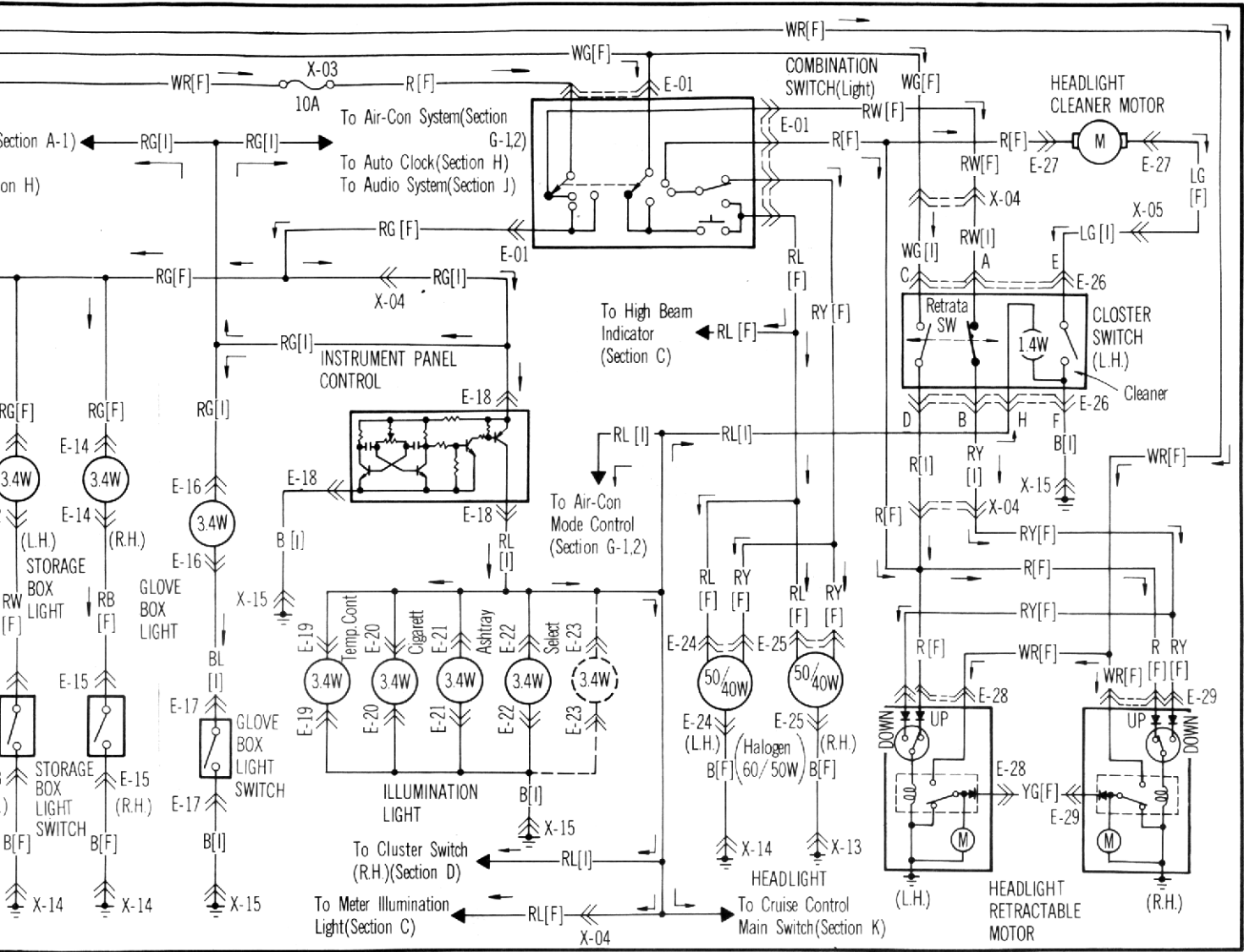
■ HEADLIGHTS ■ HEADLIGHT RETRACTABLE SYSTEM ■ HEADLIGHT CLEANER ■ FRONT PARKING LIGHTS ■ TAIL LIGHTS ■ FRONT & REAR SIDE MARKER LIGHTS



<p>E-01 Combination Switch[F]</p>	<p>E-02 Rear Combination Light(L.H.)(R)</p>	<p>E-03 Rear Combination Light(R.H.)(R)</p>	<p>E-04 License Light(L.H.)(R)</p>	<p>E-05 License Light(R.H.)(R)</p>
<p>E-09 Front side marker Light(R.H.)(F)</p>	<p>E-10 Front Combination Light(L.H.)(F)</p>	<p>E-11 Front Combination Light(R.H.)(F)</p>	<p>E-12 Storage Box Light(L.H.)(F)</p>	<p>E-13 Storage Box Light S</p>
<p>E-17 Glove Box Light Switch[I]</p>	<p>E-18 Instrument Panel Light Control[I]</p>	<p>E-19 Bower Fan Switch Illumination Light[I]</p>	<p>E-20 Temp Control Switch Illumination Light[I]</p>	<p>E-21 Cigarette Lighter III</p>
<p>E-25 HeadLight(R.H.)(F)</p>	<p>E-26 Cluster Switch(L.H.)(I)</p>	<p>E-27 HeadLight Cleaner Motor[F]</p>	<p>E-28 Retractable HeadLight</p>	

Note: ✕...Not Used

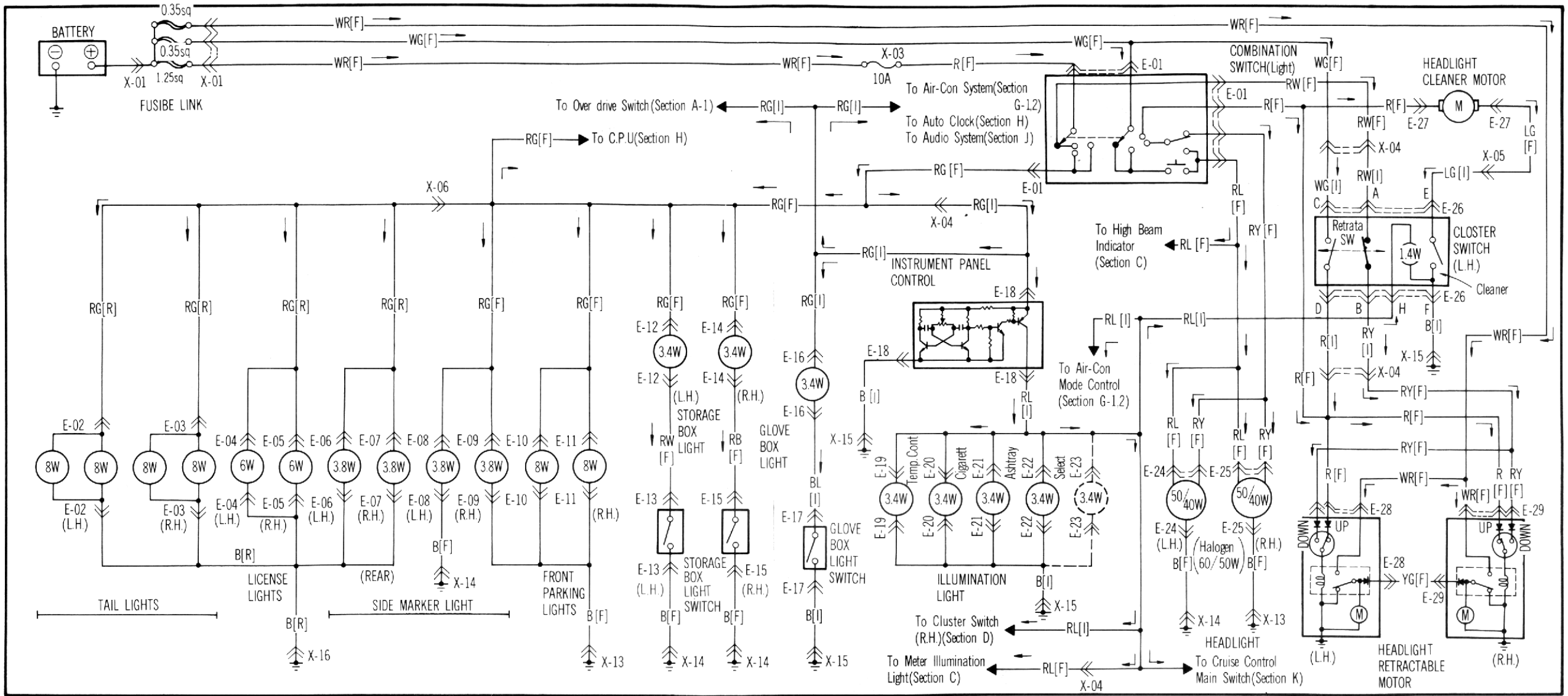
EM ■ HEADLIGHT CLEANER ■ ILLUMINATION LIGHTS ■ GLOVE BOX LIGHT
NT & REAR SIDE MARKER LIGHTS ■ STORAGE BOX LIGHTS ■ LICENSE LIGHTS



Light(L.H.)(R)	E-05 License Light(R.H.)(R)	E-06 Rear side marker Light(L.H.)(R)	E-07 Rear side marker Light(R.H.)(R)	E-08 Front side marker Light(L.H.)(F)
Box Light(L.H.)(F)	E-13 Storage Box Light Swight(L.H.)(F)	E-14 Storage Box Light(R.H.)(F)	E-15 Storage Box Light Switch(R.H.)(F)	E-16 Glove Box Light(I)
Control Switch Illumination Light(I)	E-21 Cigarette Lighter Illumination Light(I)	E-22 Ashtray Illumination Light(I)	E-23 Select Lever Illumination Light(I) (For A/T)	E-24 HeadLight(L.H.)(F)
ht Cleaner Motor(F)	E-28 Retractable HeadLight Motor(L.H.)(F)	E-29 Retractable Headlight Motor(R.H.)(F)		

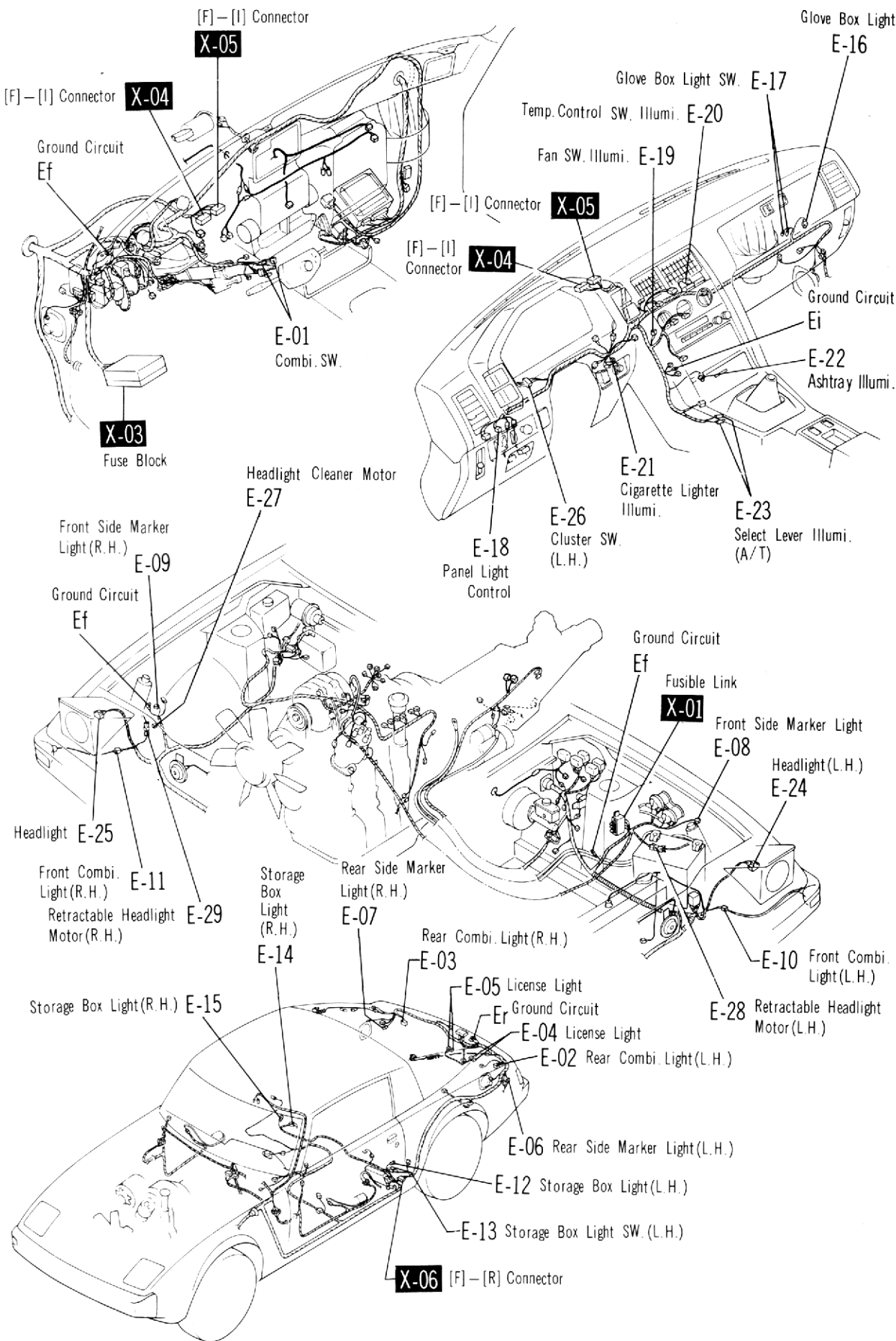
E

■ HEADLIGHTS ■ HEADLIGHT RETRACTABLE SYSTEM ■ HEADLIGHT CLEANER ■ ILLUMINATION LIGHTS ■ GLOVE BOX LIGHT
■ FRONT PARKING LIGHTS ■ TAIL LIGHTS ■ FRONT & REAR SIDE MARKER LIGHTS ■ STORAGE BOX LIGHTS ■ LICENSE LIGHTS

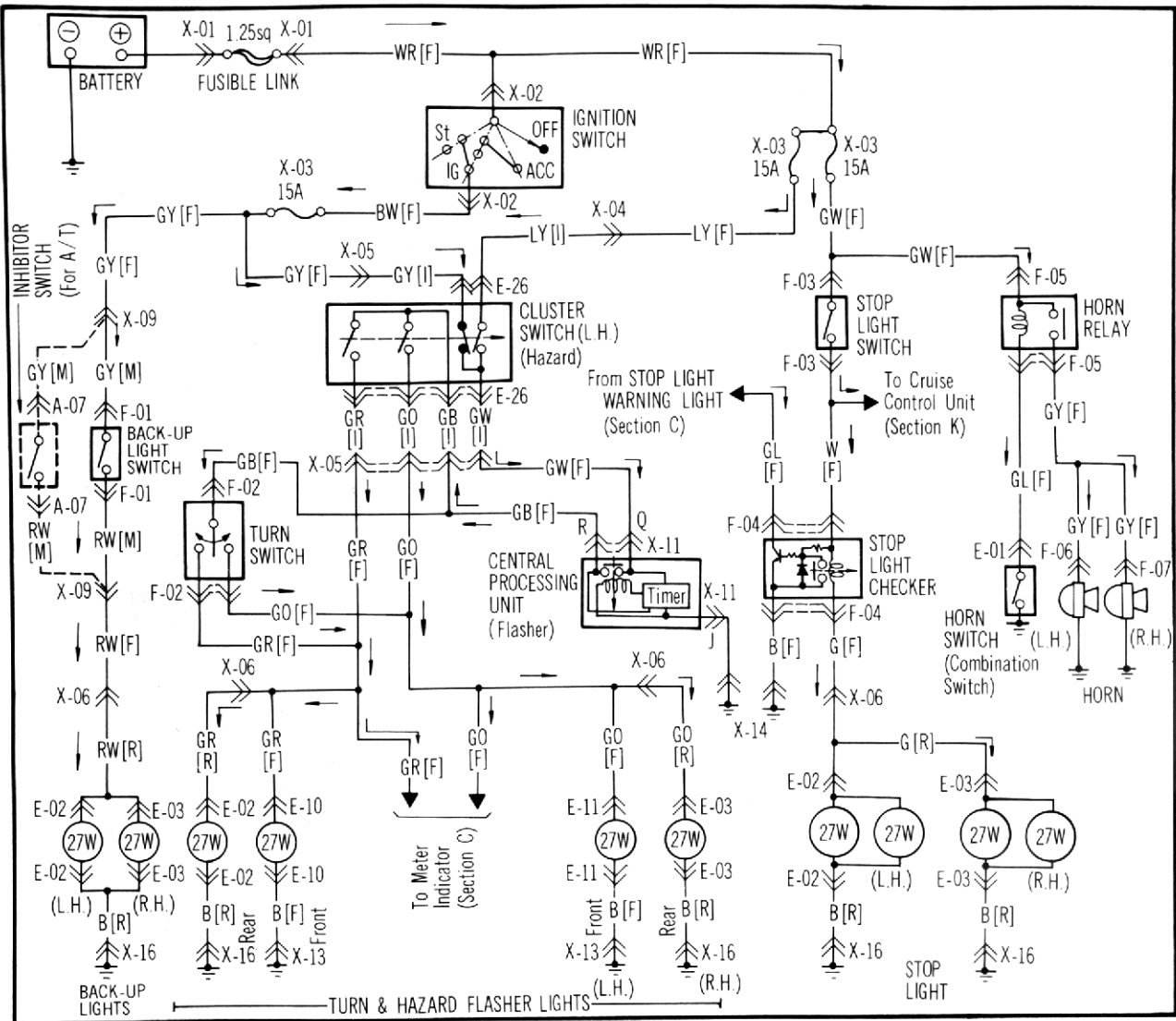


E-01 Combination Switch[F] 	E-02 Rear Combination Light(L.H.)(R) 	E-03 Rear Combination Light(R.H.)(R) 	E-04 License Light(L.H.)(R) 	E-05 License Light(R.H.)(R) 	E-06 Rear side marker Light(L.H.)(R) 	E-07 Rear side marker Light(R.H.)(R) 	E-08 Front side marker Light(L.H.)(F)
E-09 Front side marker Light(R.H.)(F) 	E-10 Front Combination Light(L.H.)(F) 	E-11 Front Combination Light(R.H.)(F) 	E-12 Storage Box Light(L.H.)(F) 	E-13 Storage Box Light Switch(L.H.)(F) 	E-14 Storage Box Light(R.H.)(F) 	E-15 Storage Box Light Switch(R.H.)(F) 	E-16 Glove Box Light[I]
E-17 Glove Box Light Switch[I] 	E-18 Instrument Panel Light Control[I] 	E-19 Bower Fan Switch Illumination Light[I] 	E-20 Temp Control Switch Illumination Light[I] 	E-21 Cigarette Lighter Illumination Light[I] 	E-22 Ashtray Illumination Light[I] 	E-23 Select Lever Illumination Light[I] (For A/T) 	E-24 HeadLight(L.H.)(F)
E-25 HeadLight(R.H.)(F) 	E-26 Cluster Switch(L.H.)(I) 	E-27 HeadLight Cleaner Motor[F] 	E-28 Retractable HeadLight Motor(L.H.)(F) 	E-29 Retractable Headlight Motor(R.H.)(F) 			

Note: ✕...Not Used

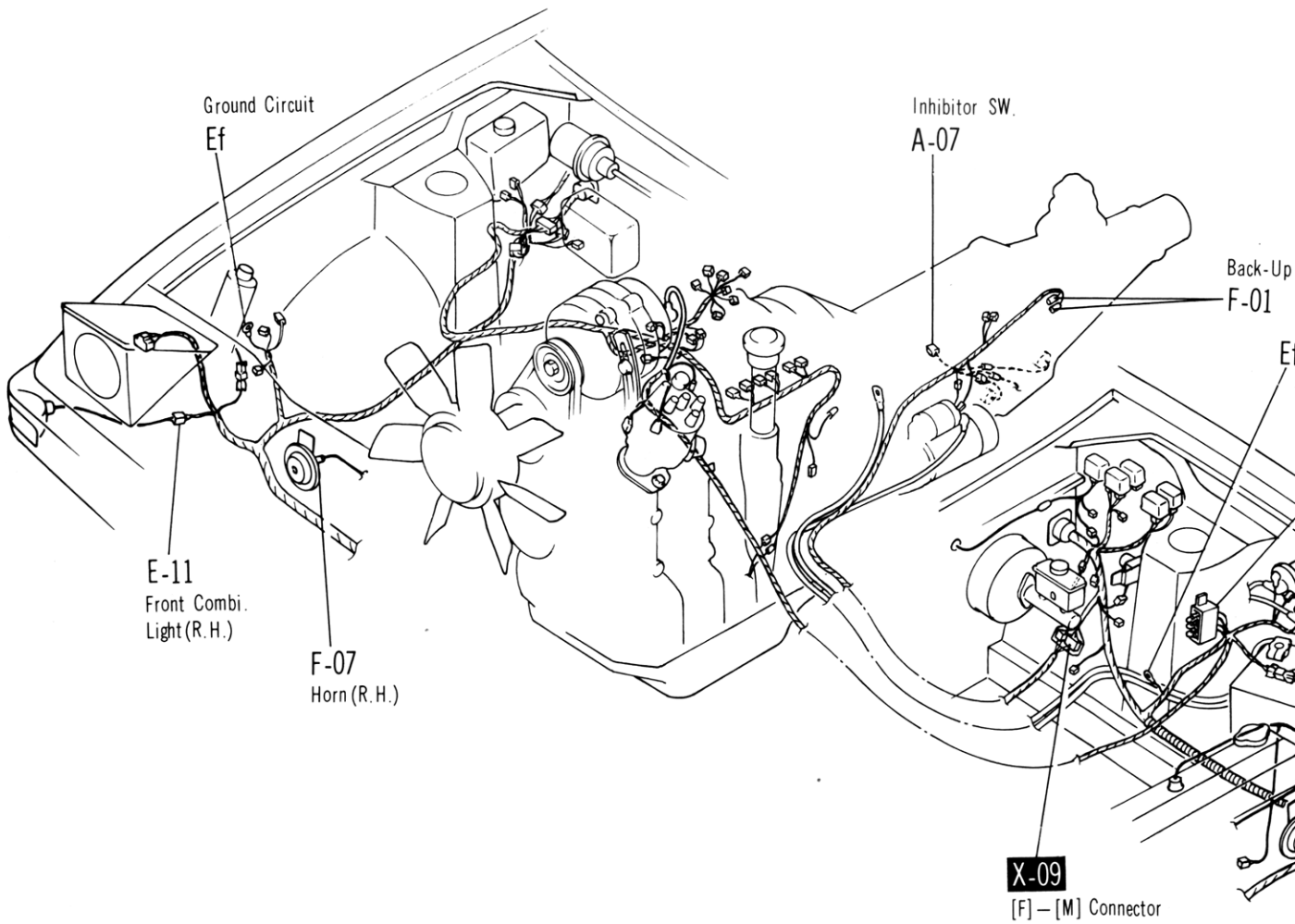
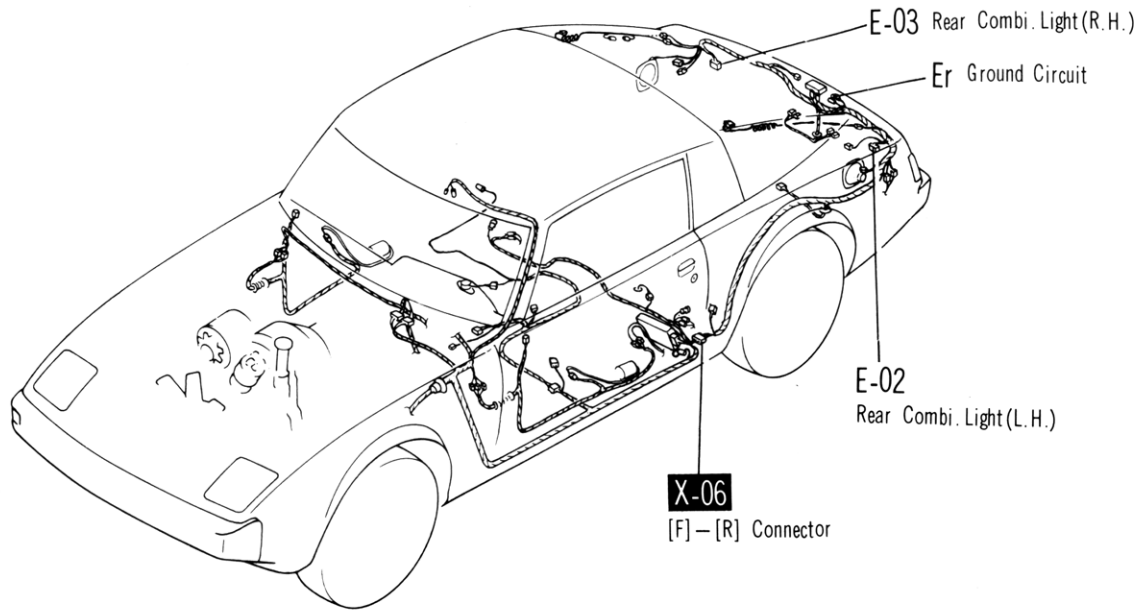


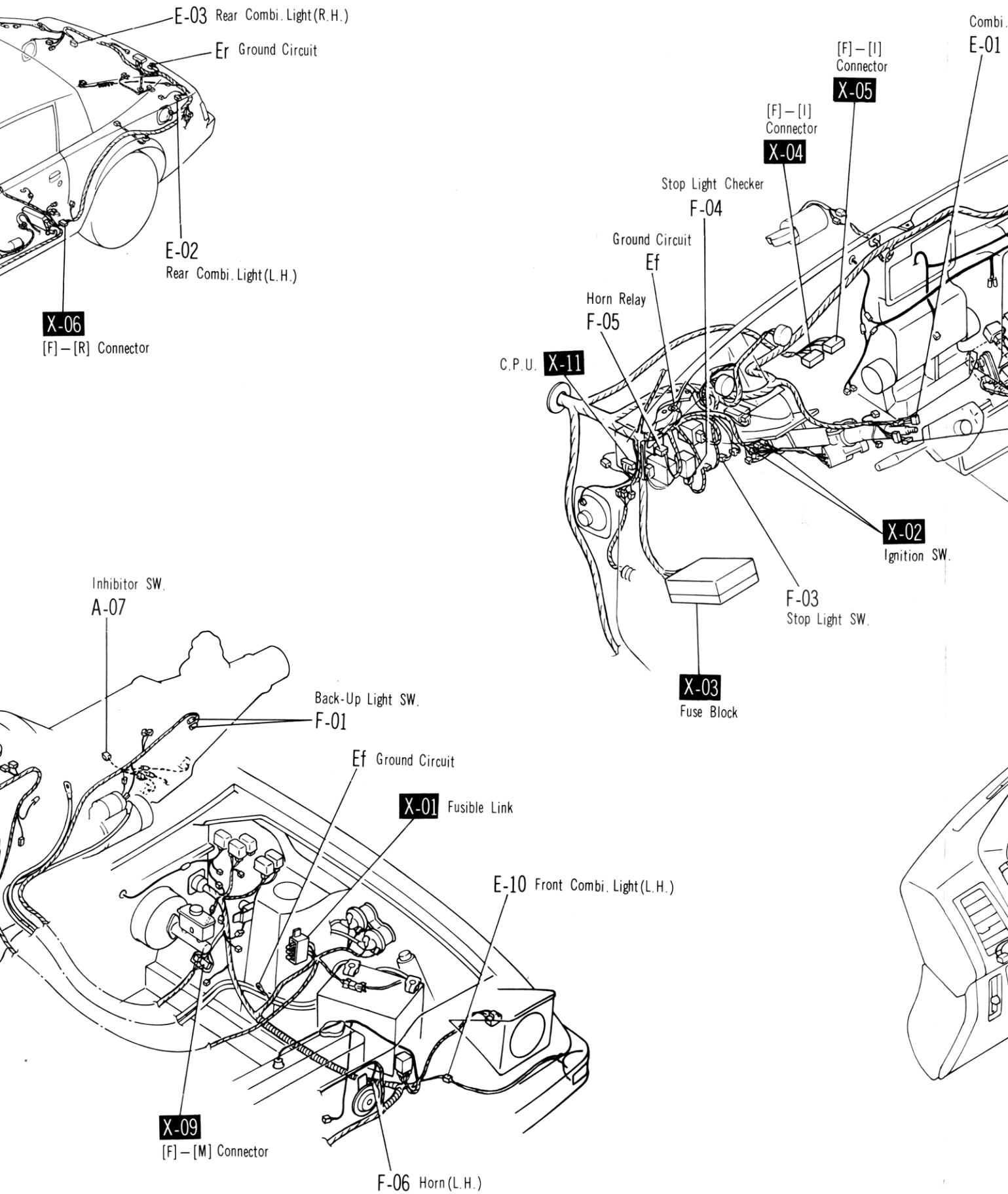
F ■ TURN & HAZARD FLASHER LIGHTS ■ HORN ■ BACK-UP LIGHTS ■ STOP LIGHTS



<p>F-01 Back-Up Light Switch [M]</p>	<p>F-02 Turn Switch [F]</p>	<p>F-03 Stop Light Switch [F]</p>	<p>F-04 Stop Light Checker [F]</p>
<p>F-05 Horn Relay [F]</p>	<p>F-06 Horn (L.H.) [F]</p>	<p>F-07 Horn (R.H.) [F]</p>	<p>A-07 Inhibitor Switch [M] (For A/T)</p>
<p>E-01 Combination Switch [F]</p>	<p>E-02 Rear Combination Light (L.H.) [R]</p>	<p>E-03 Rear Combination Light (R.H.) [R]</p>	<p>E-10 Front Combination Light (L.H.) [F]</p>
<p>E-11 Front Combination Light (R.H.) [F]</p>	<p>E-26 Cluster Switch (L.H.) [I]</p>		

Note ✕...Not Used





E-03 Rear Combi. Light (R.H.)

Er Ground Circuit

E-02 Rear Combi. Light (L.H.)

X-06
[F]-[R] Connector

[F]-[I] Connector
X-05

[F]-[I] Connector
X-04

Stop Light Checker
F-04

Ground Circuit
Ef

Horn Relay
F-05

C.P.U. **X-11**

X-02
Ignition SW.

F-03
Stop Light SW.

X-03
Fuse Block

Inhibitor SW.
A-07

Back-Up Light SW.
F-01

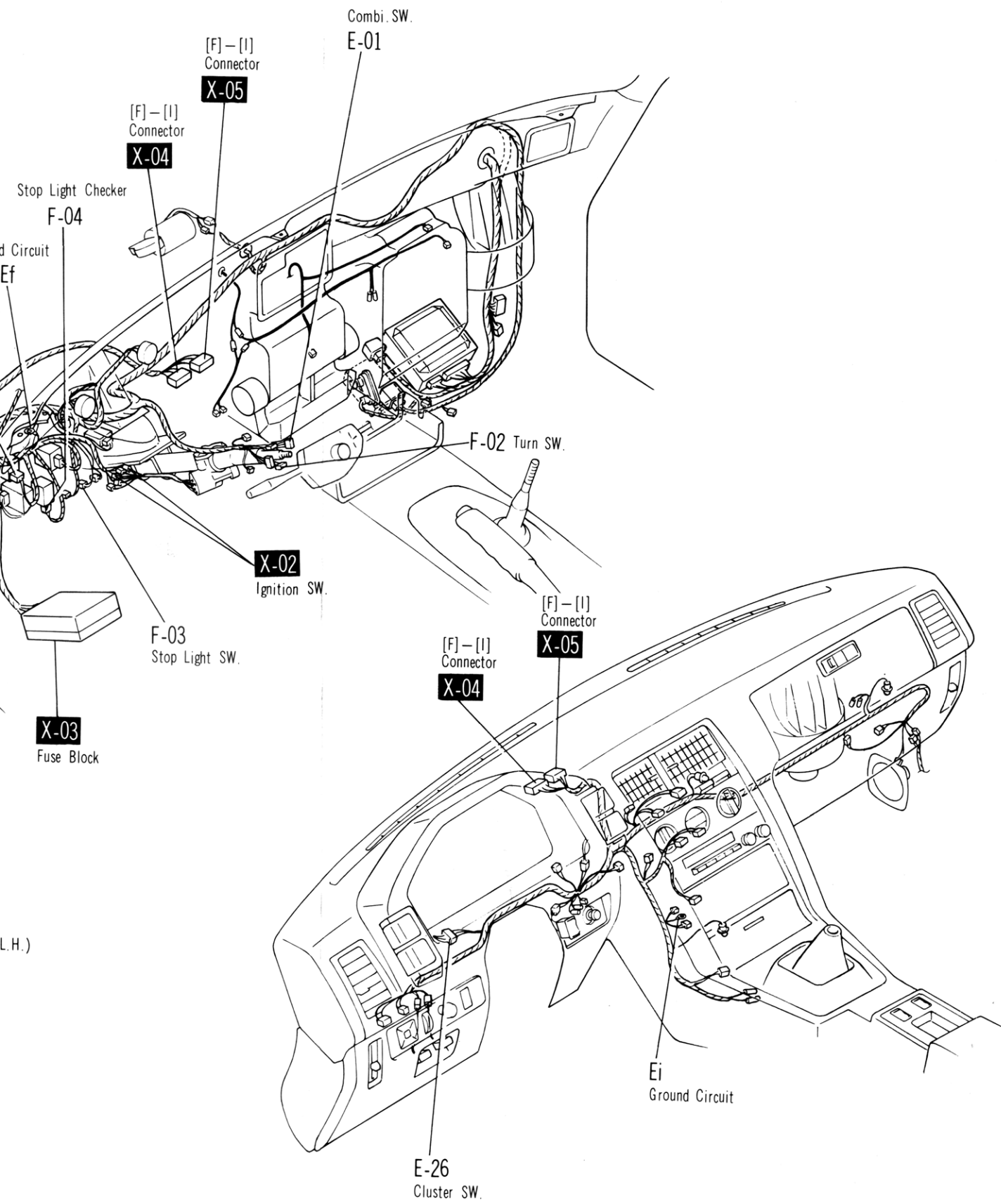
Ef Ground Circuit

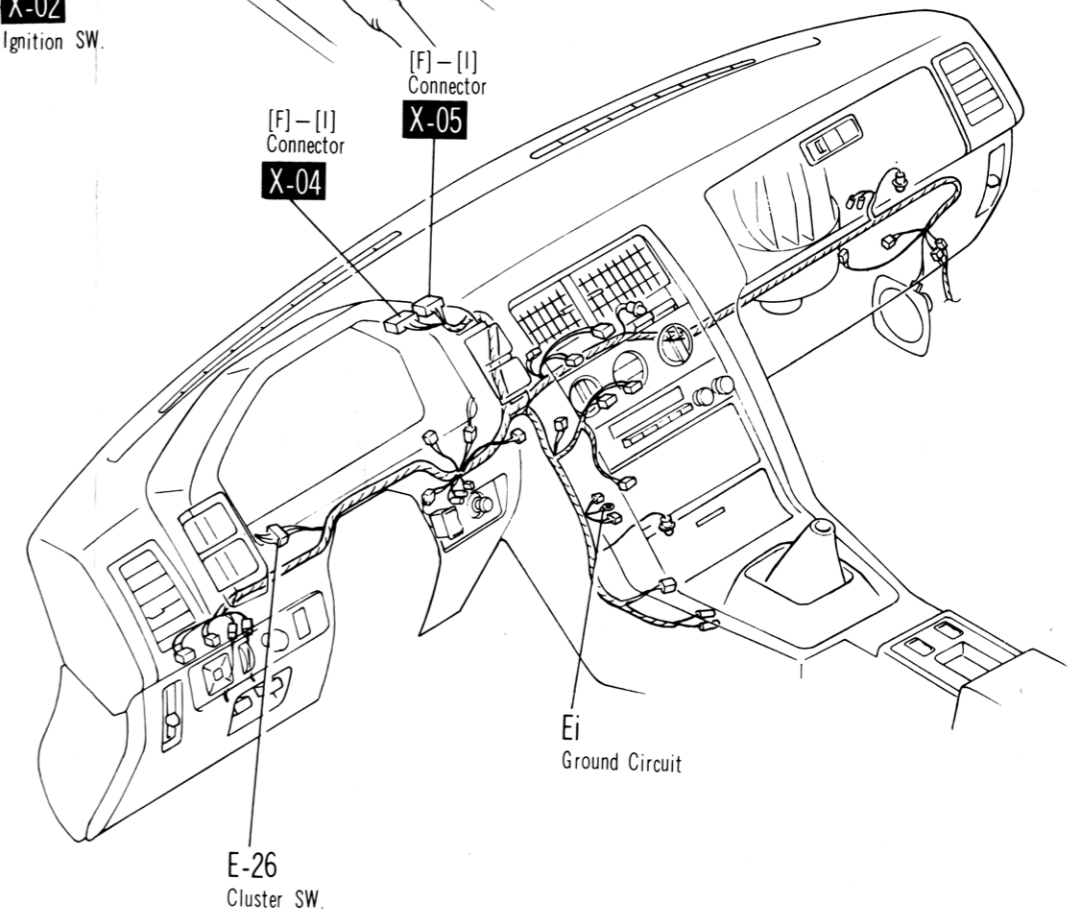
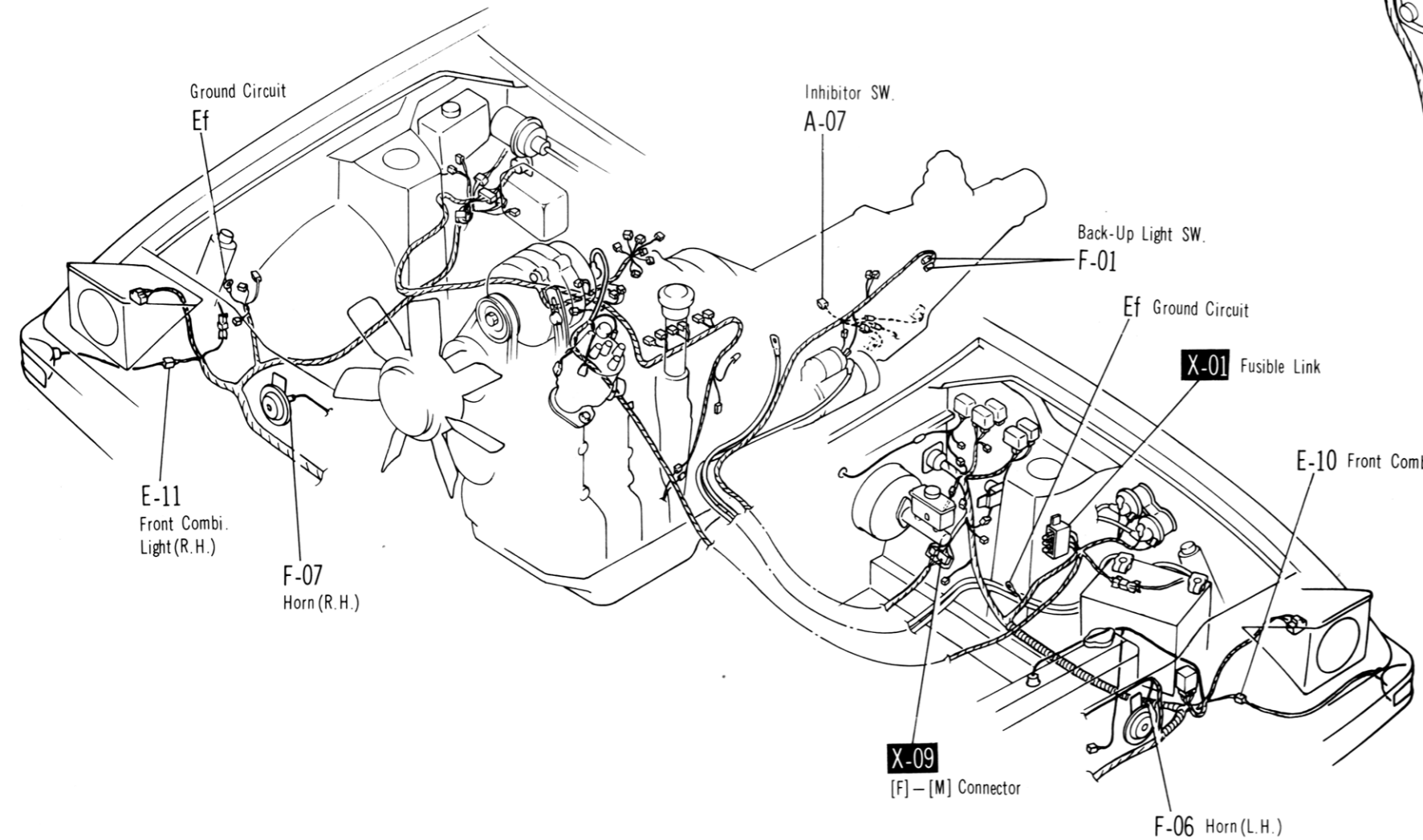
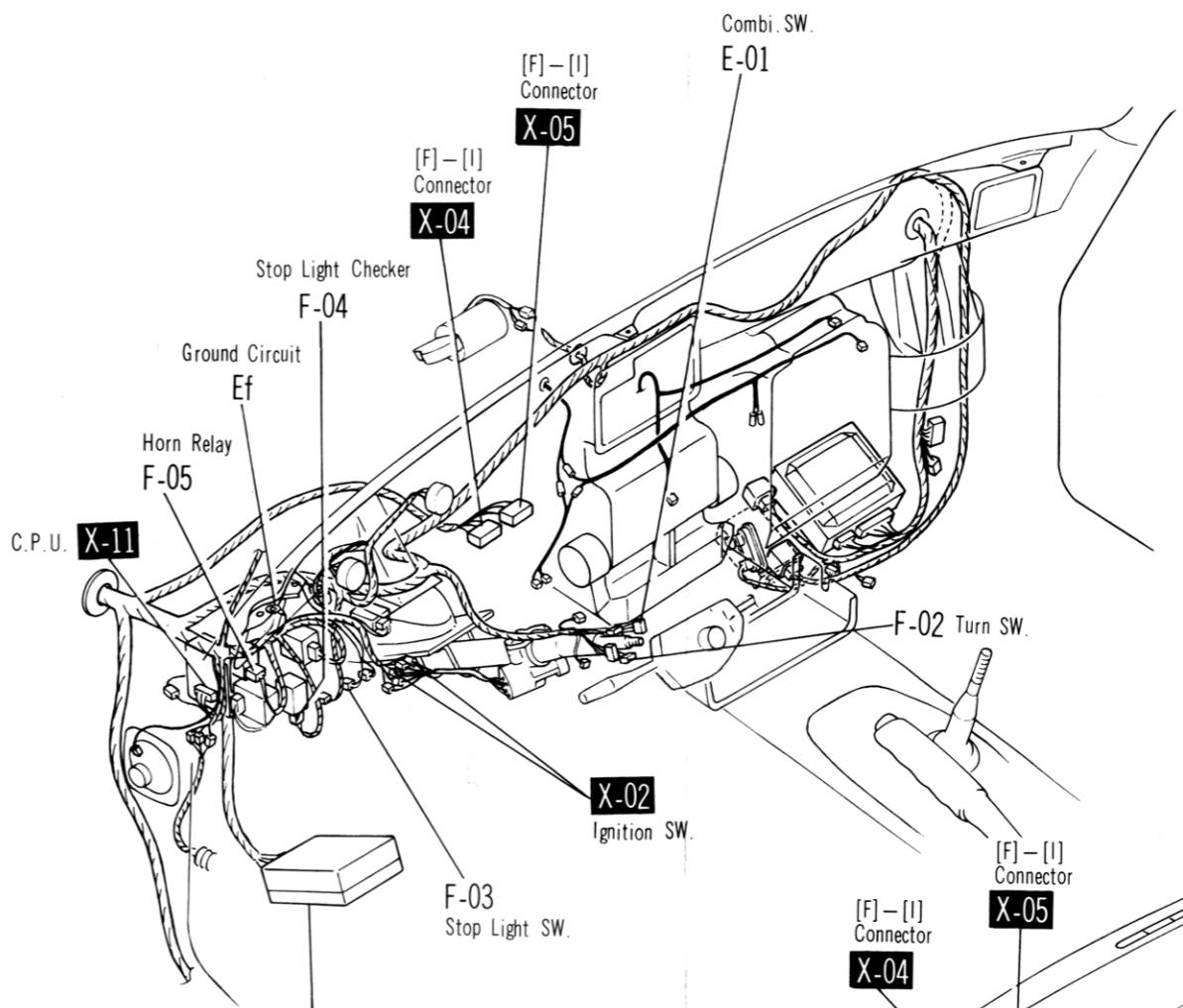
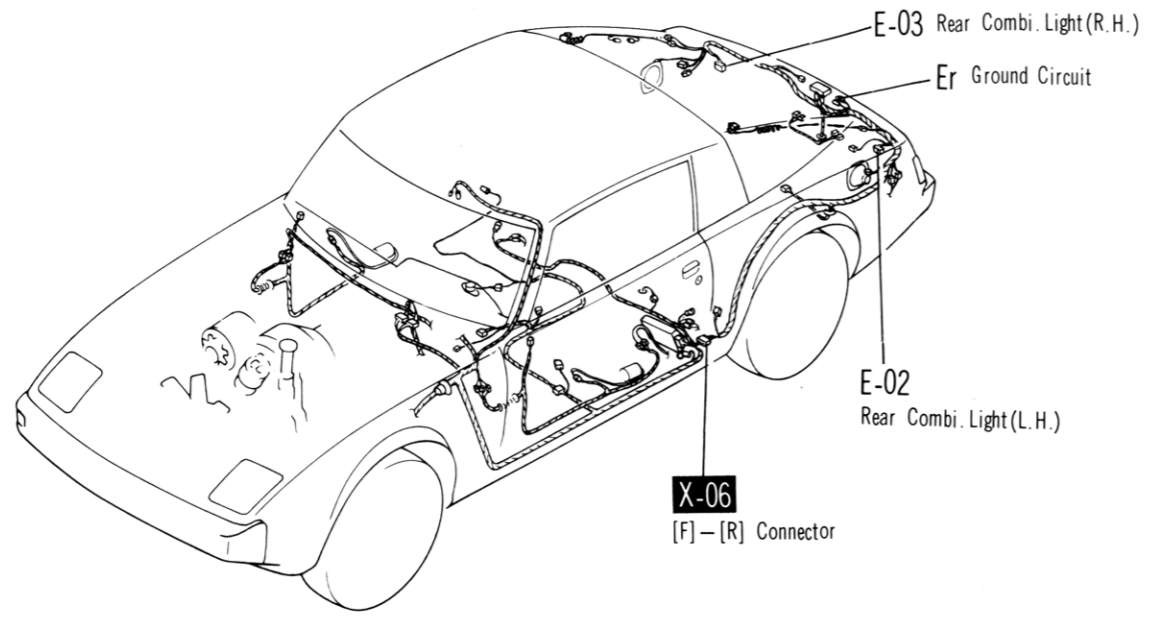
X-01 Fusible Link

E-10 Front Combi. Light (L.H.)

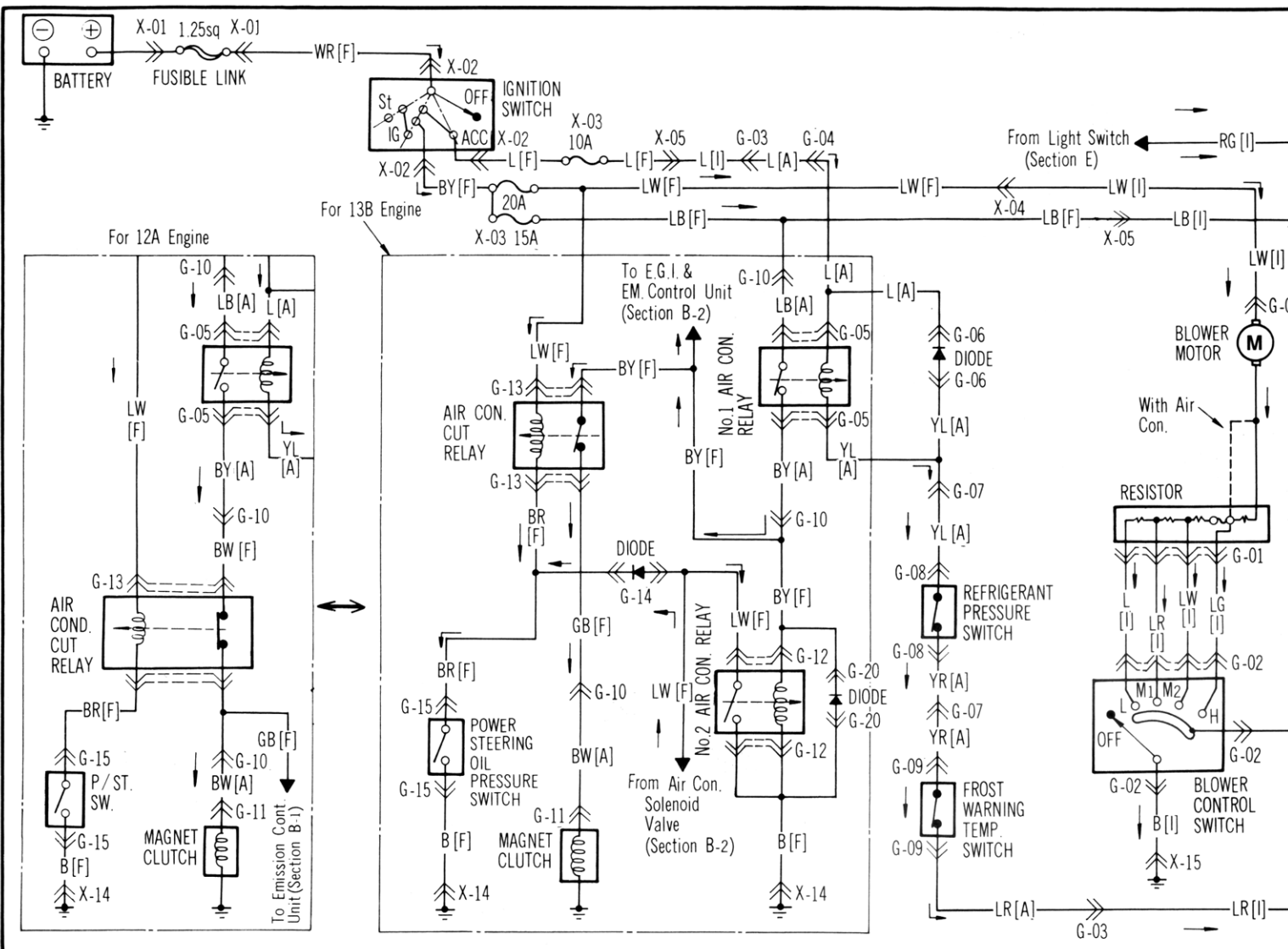
X-09
[F]-[M] Connector

F-06 Horn (L.H.)

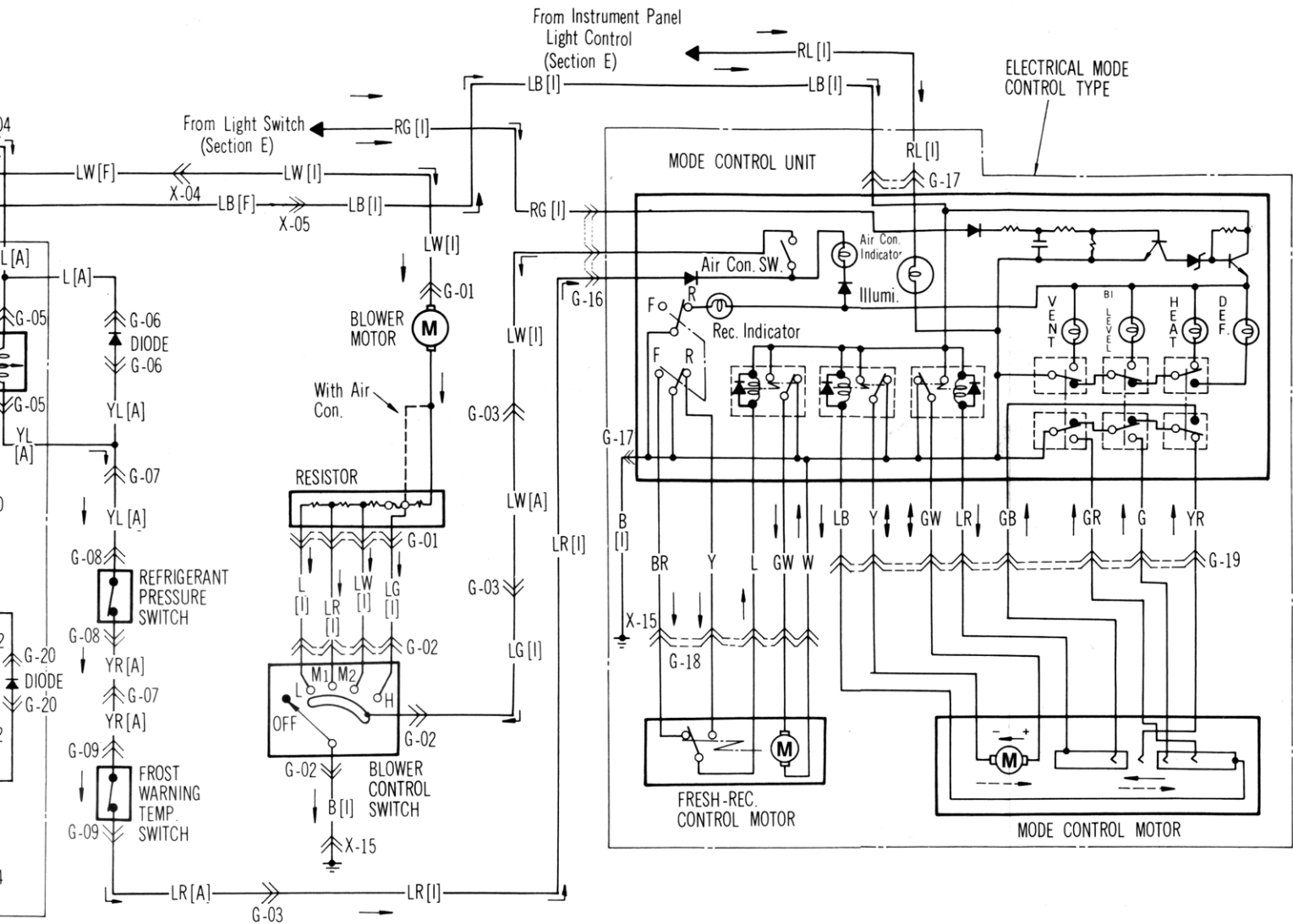




AIR CONDITIONER



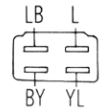
<p>G-01 Blower Motor Unit [I]</p>	<p>G-02 Blower Control Switch [I]</p>	<p>G-03 Connector Between Instrument Panel And Air Con. Harness</p>	<p>G-04 Connector of Air Con. Harness [A]</p>	<p>G-05 No.1 Air Con. Relay [A]</p>
<p>G-12 No.2 Air Con. Relay [F] (For 13B Engine)</p>	<p>G-13 Air Con. Cut Relay [F]</p>	<p>G-14 Diode [F] (For 13B Engine)</p>	<p>G-15 Power Steering Oil Pressure Switch [F]</p>	<p>G-16 Air Con. Switch [I]</p>
<p>Note: ✕ ... Not Used</p>				



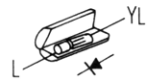
G-04 Connector of Air Con. Harness [A]



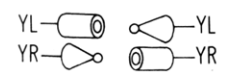
G-05 No.1 Air Con. Relay [A]



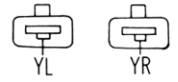
G-06 Diode [A]



G-07 Connector of Air Con. Harness [A]



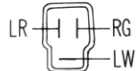
G-08 Refrigerant Pressure Switch [A]



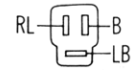
G-15 Power Steering Oil Pressure Switch [F]



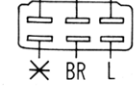
G-16 Air Con. Switch [I]



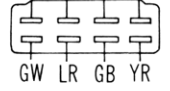
G-17 Mode Control Unit [I]

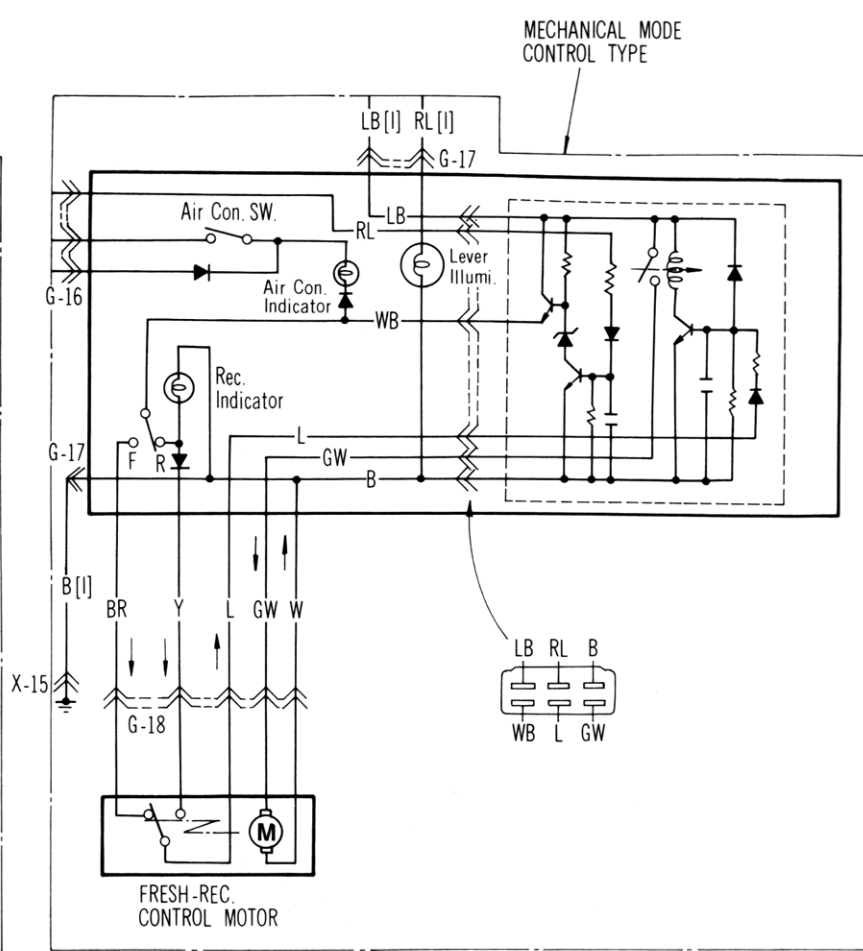
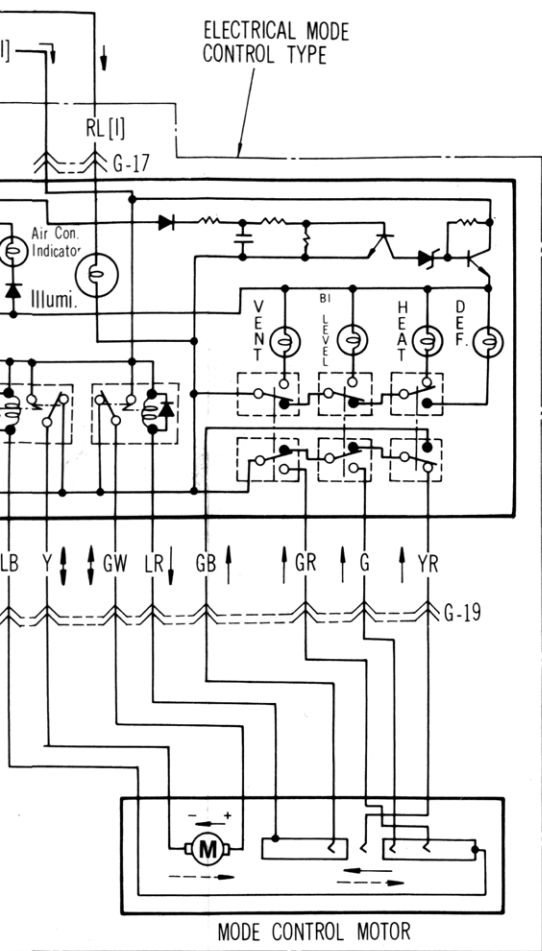


G-18 Fresh-Rec. Control Motor

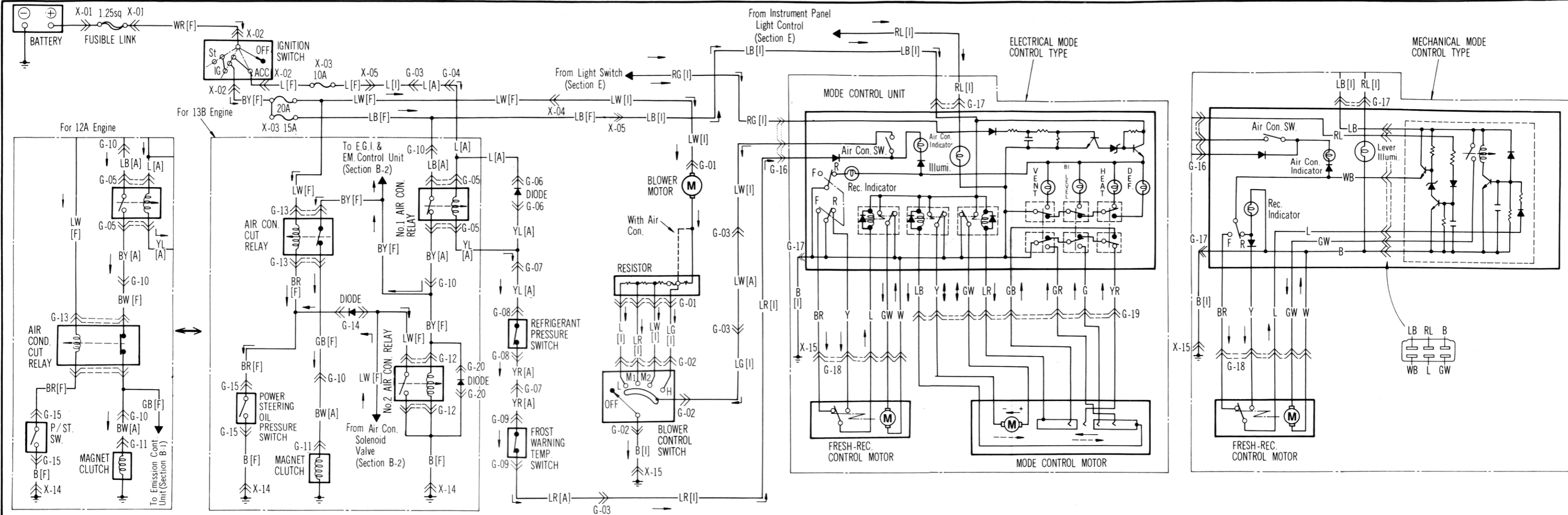


G-19 Mode Control Motor



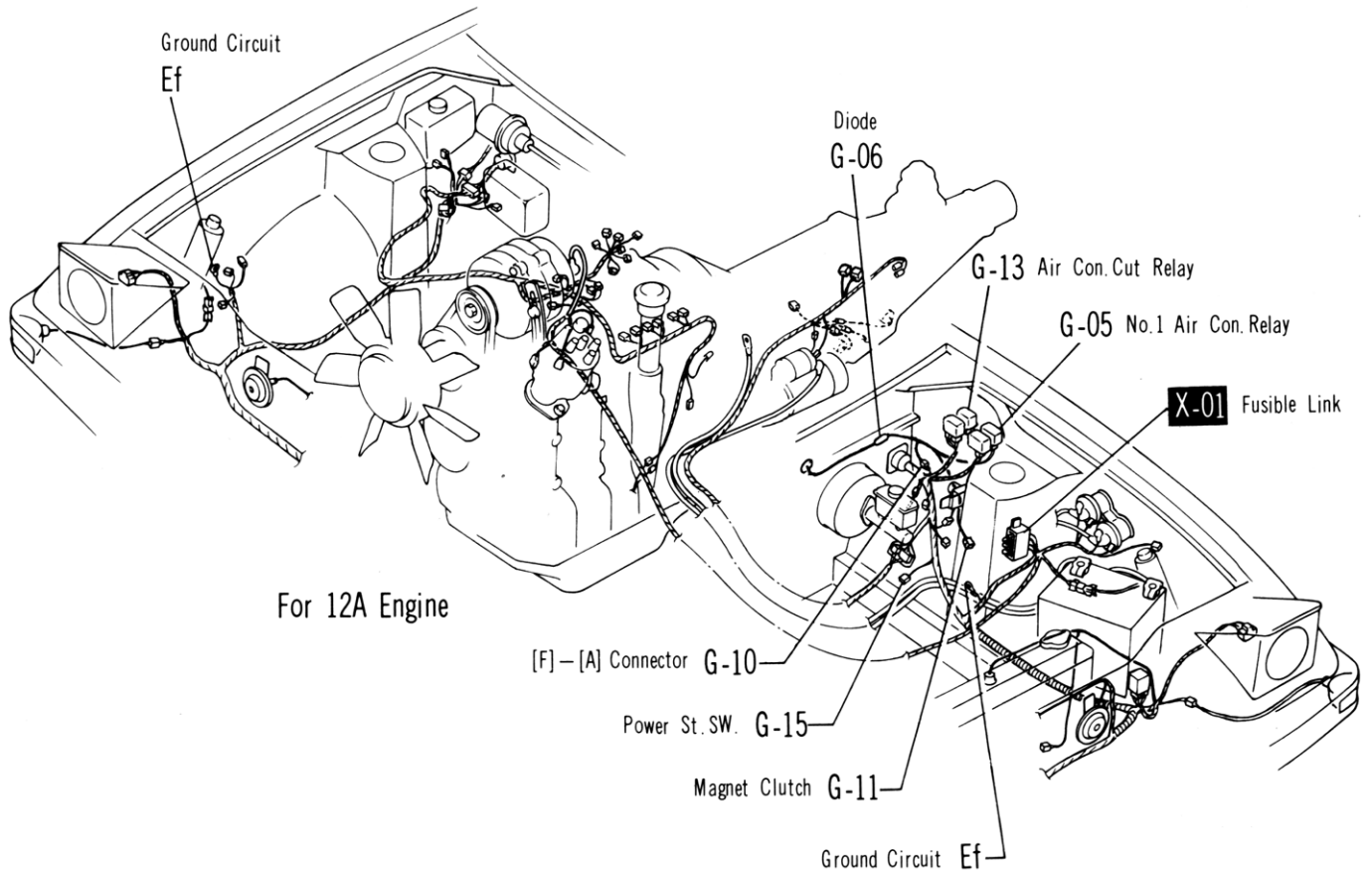
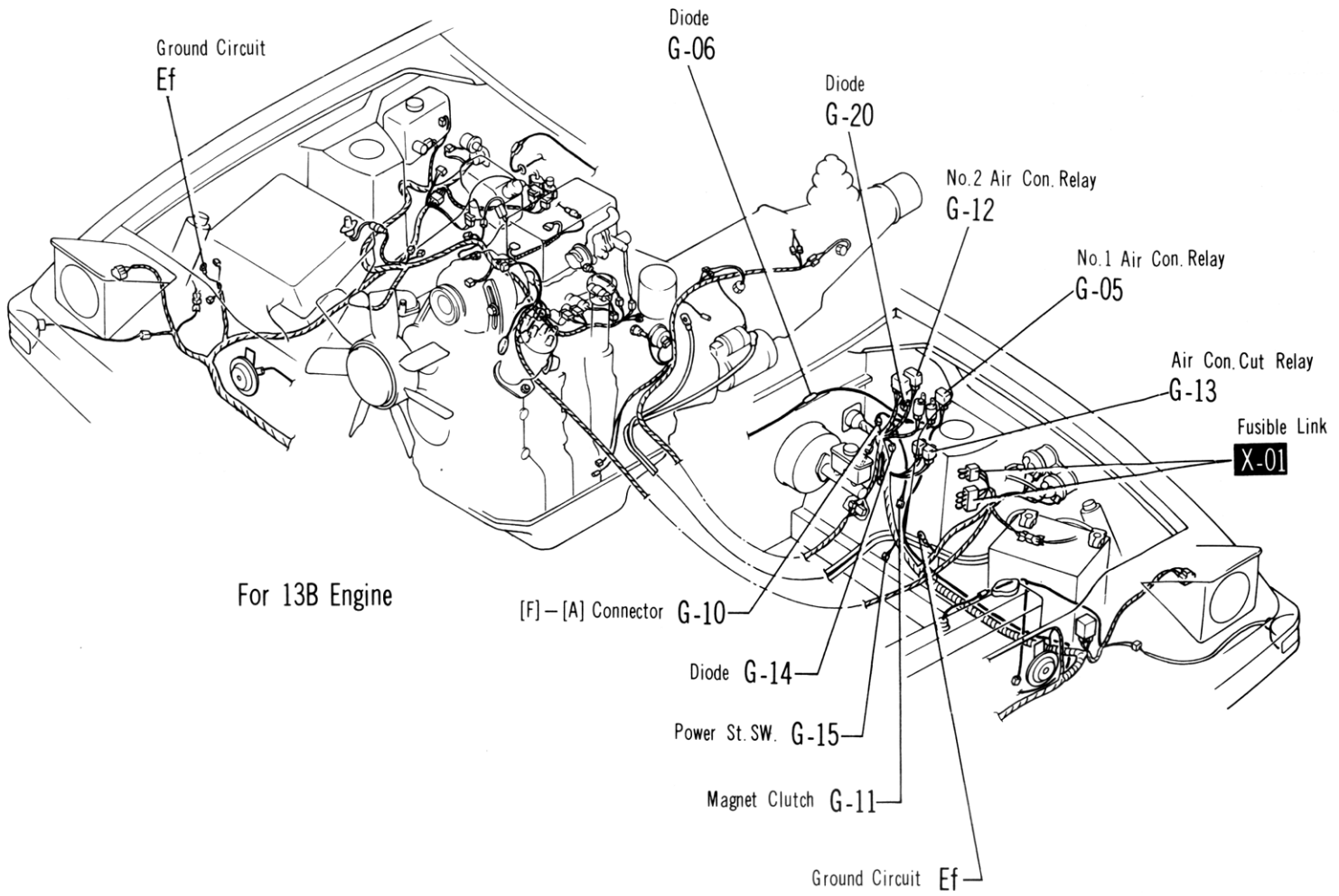


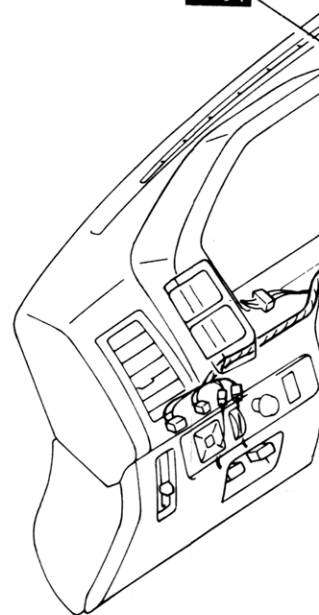
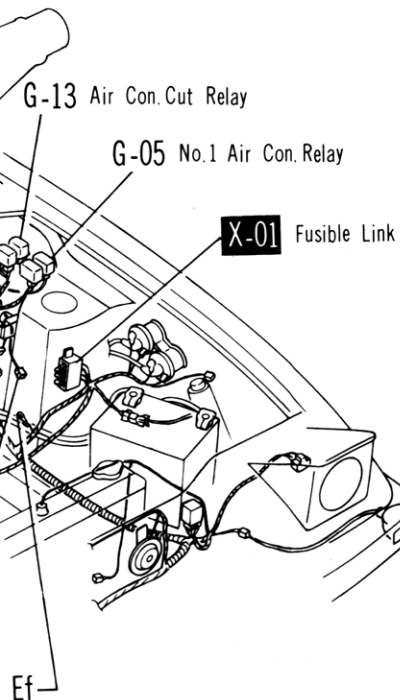
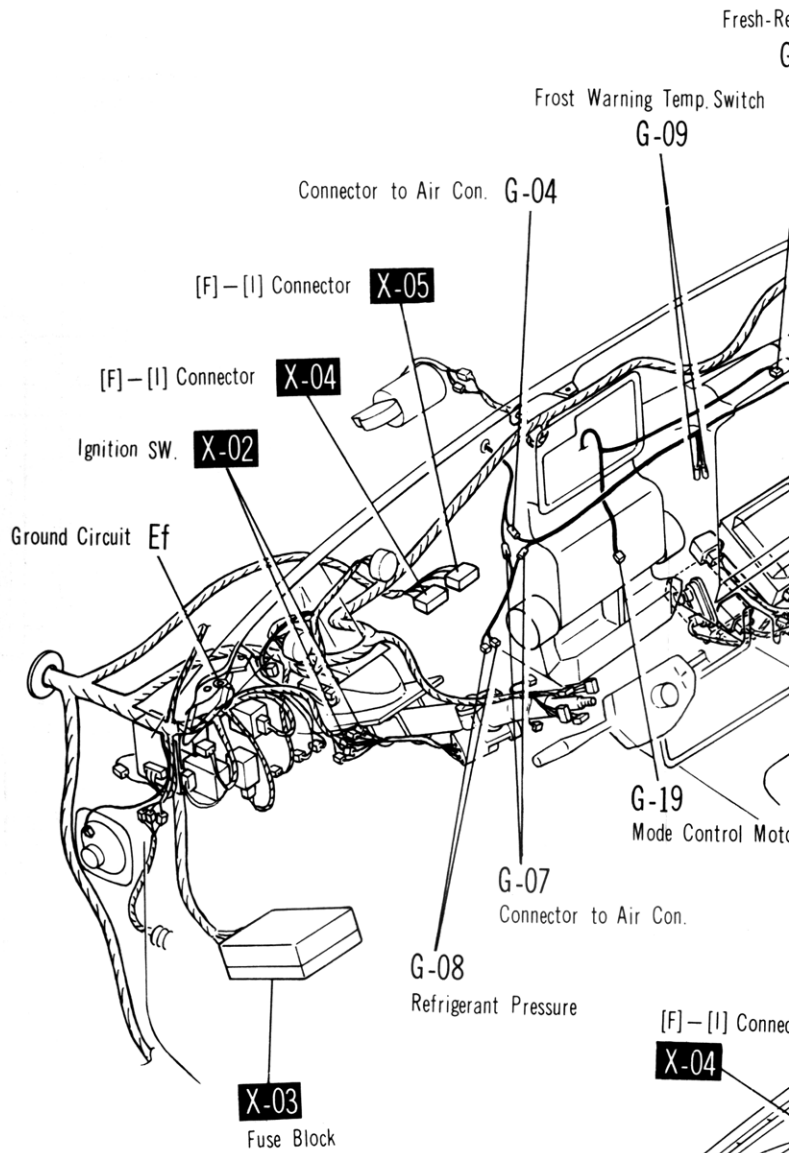
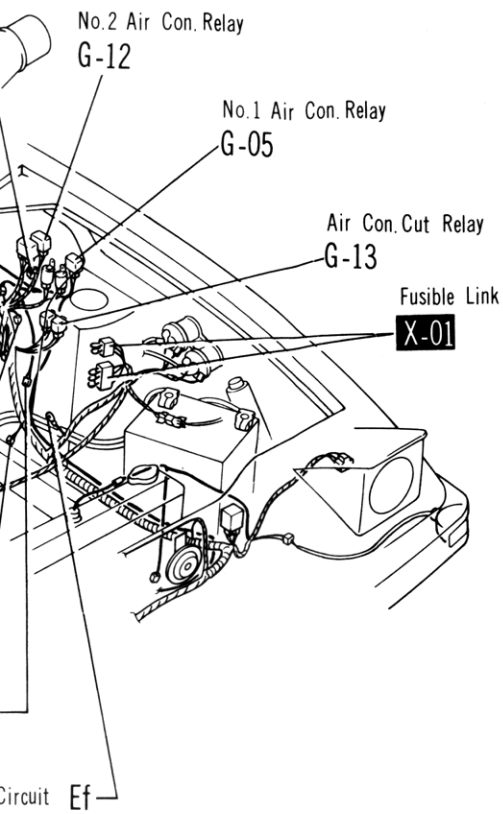
<p>Connector of Air Con. Harness [A]</p>	<p>G-08 Refrigerant Pressure Switch [A]</p>	<p>G-09 Frost Warning Temp. Switch [A]</p>	<p>G-10 Connector Between Front and Air Con. Harness [A]</p>	<p>G-11 Magnet Clutch [A]</p>
<p>Fresh-Rec. Control Motor</p>	<p>G-19 Mode Control Motor</p>	<p>G-20 Diode [F] (For 13B Engine)</p>		

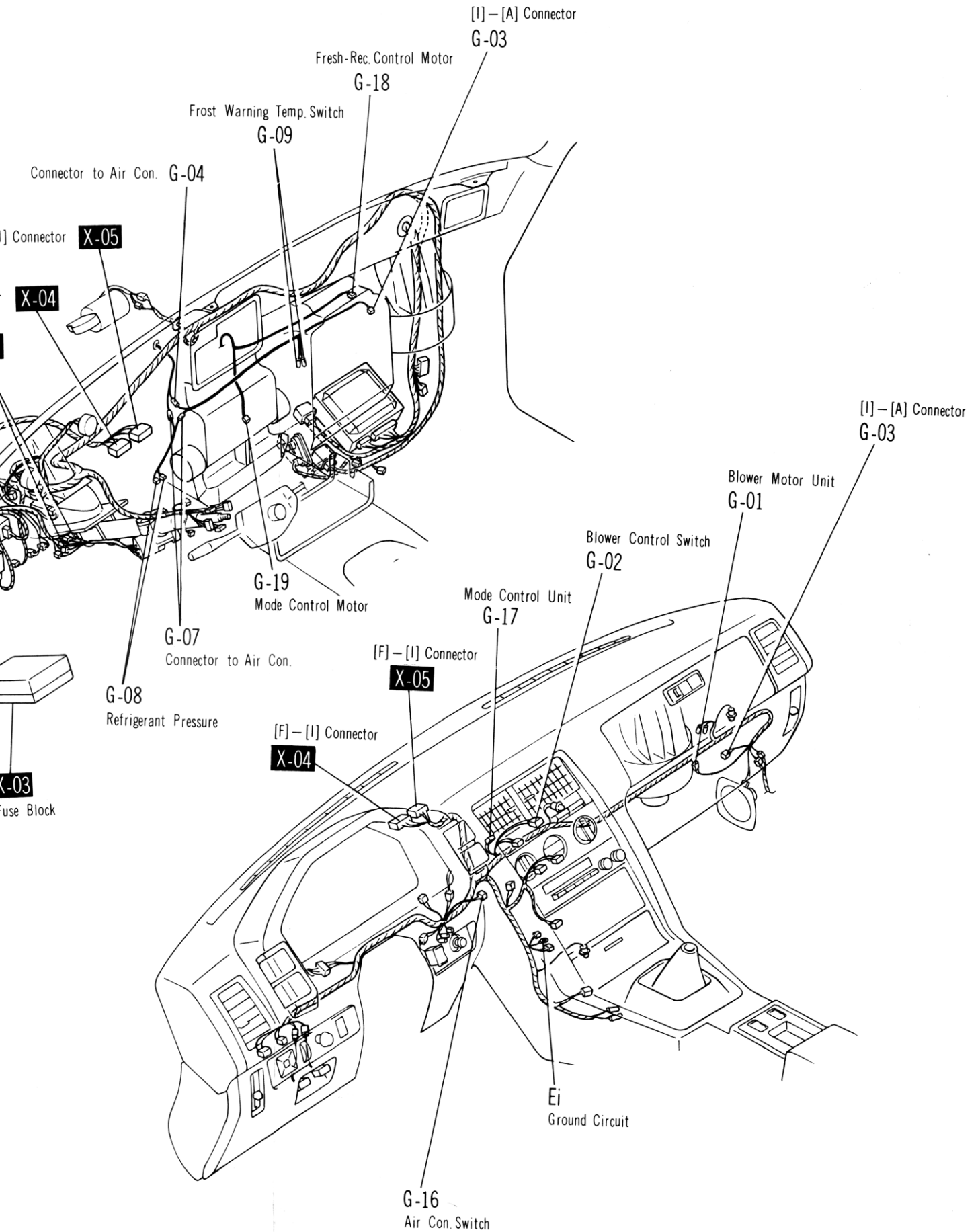


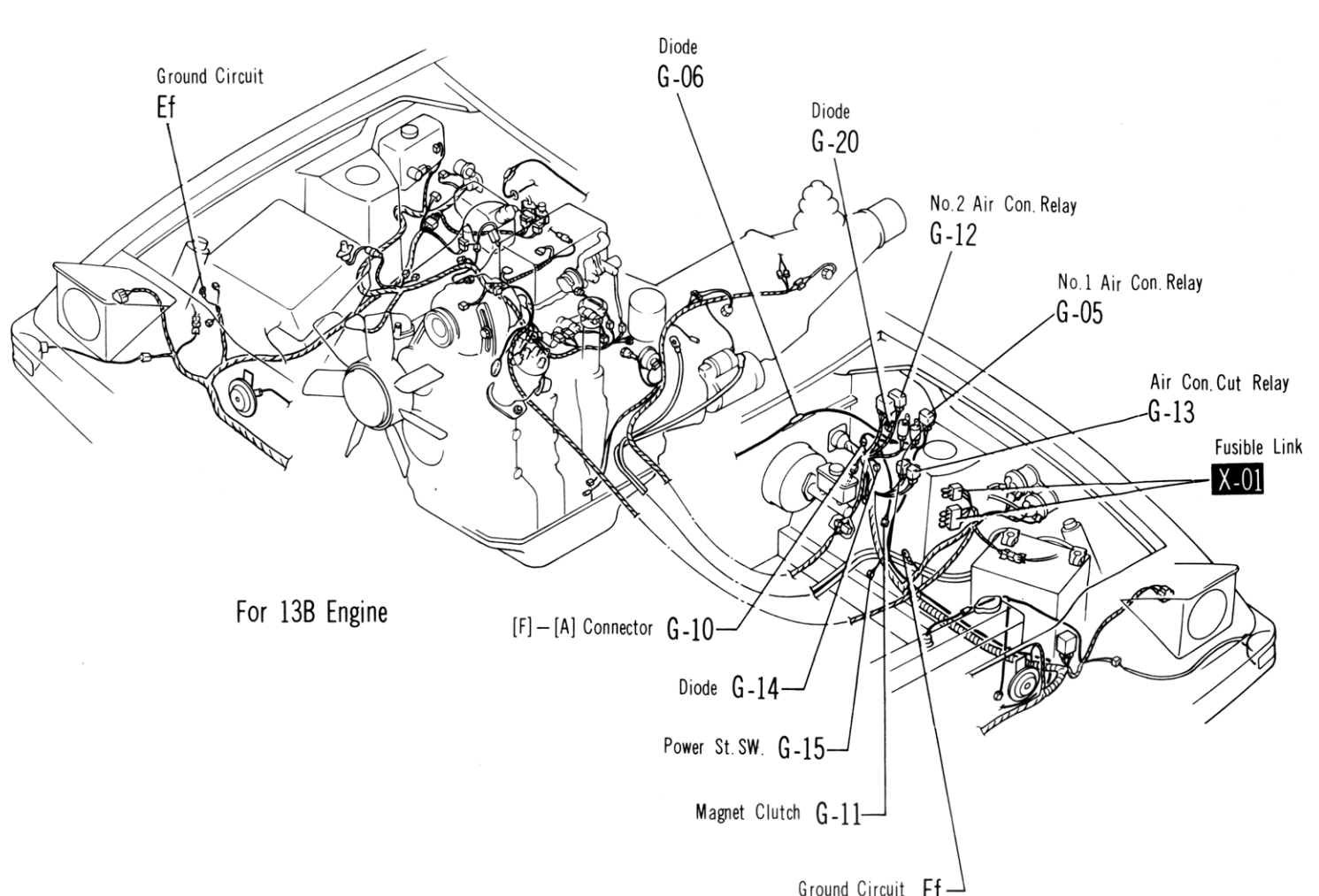
<p>G-01 Blower Motor Unit [I]</p>	<p>G-02 Blower Control Switch [I]</p>	<p>G-03 Connector Between Instrument Panel And Air Con. Harness</p>	<p>G-04 Connector of Air Con. Harness [A]</p>	<p>G-05 No.1 Air Con. Relay [A]</p>	<p>G-06 Diode [A]</p>	<p>G-07 Connector of Air Con. Harness [A]</p>	<p>G-08 Refrigerant Pressure Switch [A]</p>	<p>G-09 Frost Warning Temp. Switch [A]</p>	<p>G-10 Connector Between Front And Air Con. Harness [A]</p>	<p>G-11 Magnet Clutch [A]</p>
<p>G-12 No.2 Air Con. Relay [F] (For 13B Engine)</p>	<p>G-13 Air Con. Cut Relay [F]</p>	<p>G-14 Diode [F] (For 13B Engine)</p>	<p>G-15 Power Steering Oil Pressure Switch [F]</p>	<p>G-16 Air Con. Switch [I]</p>	<p>G-17 Mode Control Unit [I]</p>	<p>G-18 Fresh-Rec. Control Motor</p>	<p>G-19 Mode Control Motor</p>	<p>G-20 Diode [F] (For 13B Engine)</p>		

Note: ✕ ... Not Used

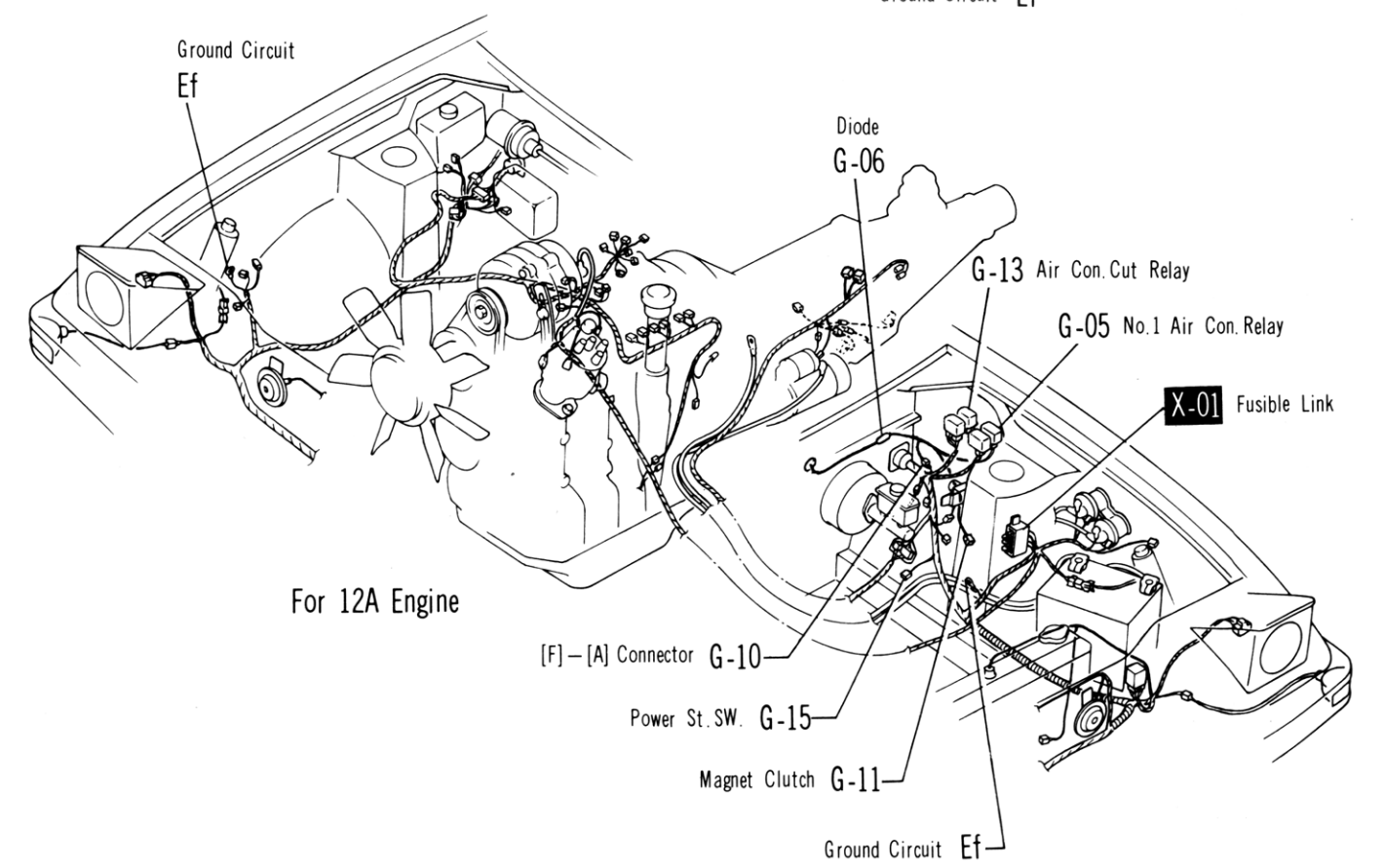




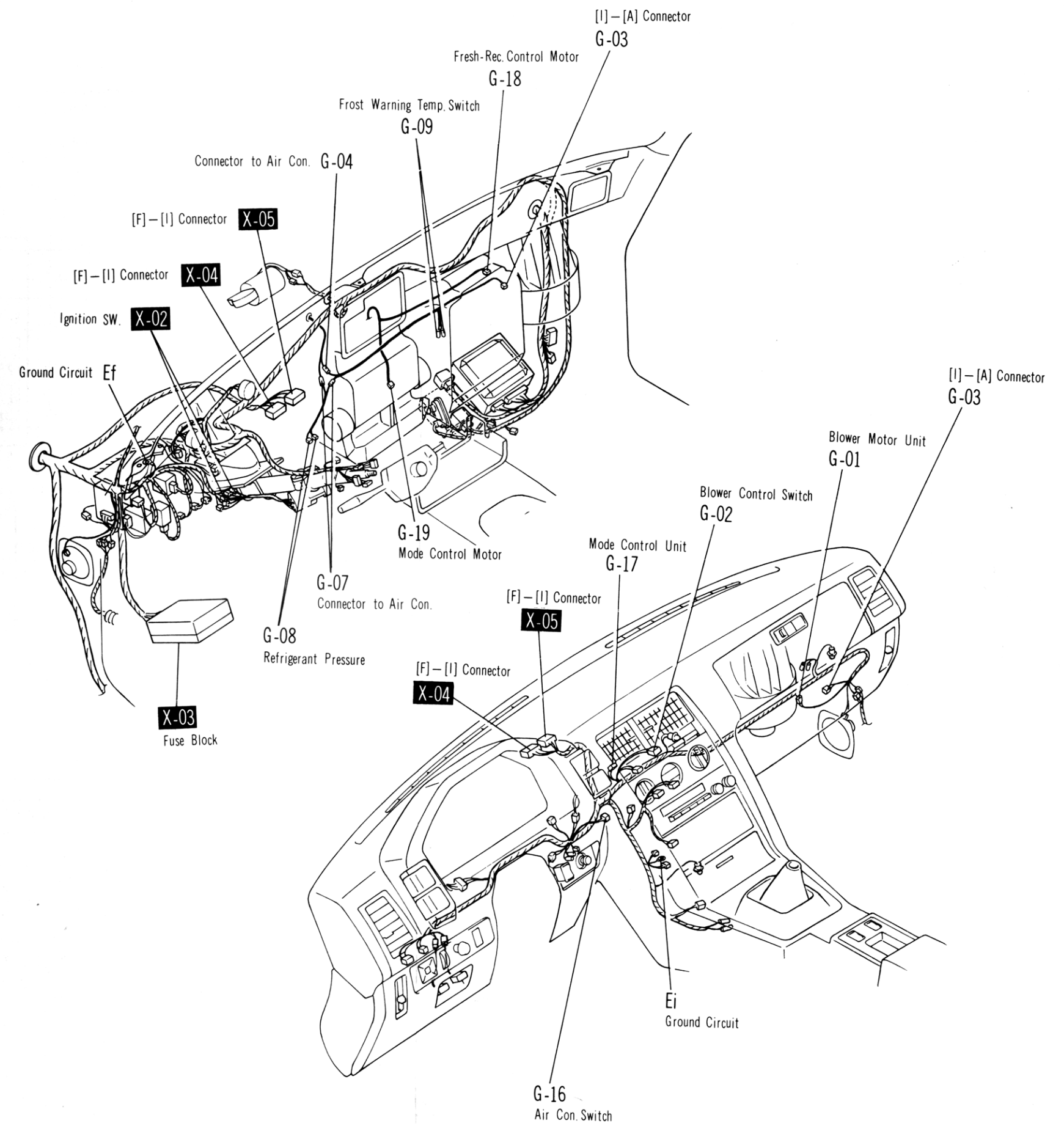


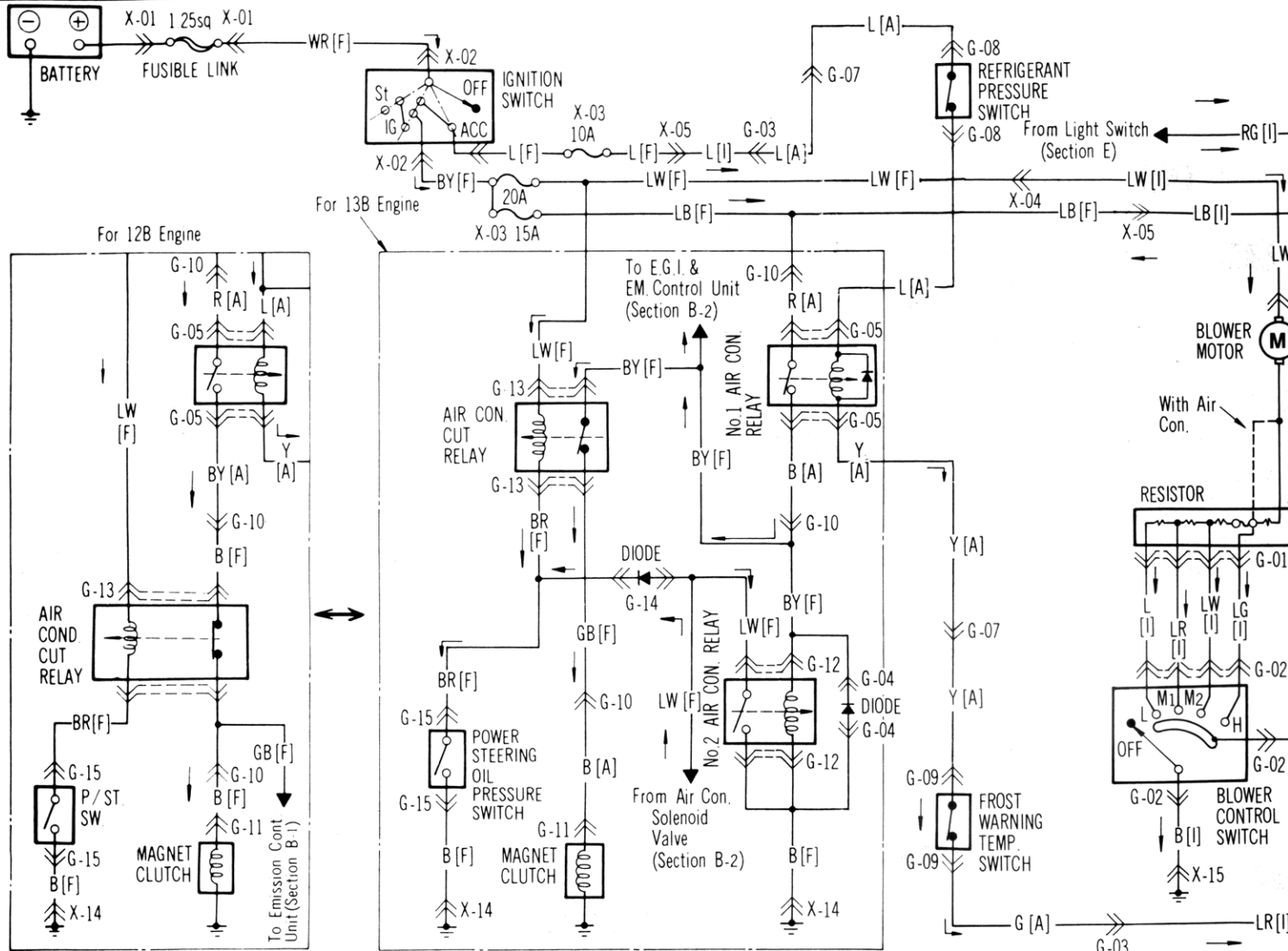


For 13B Engine



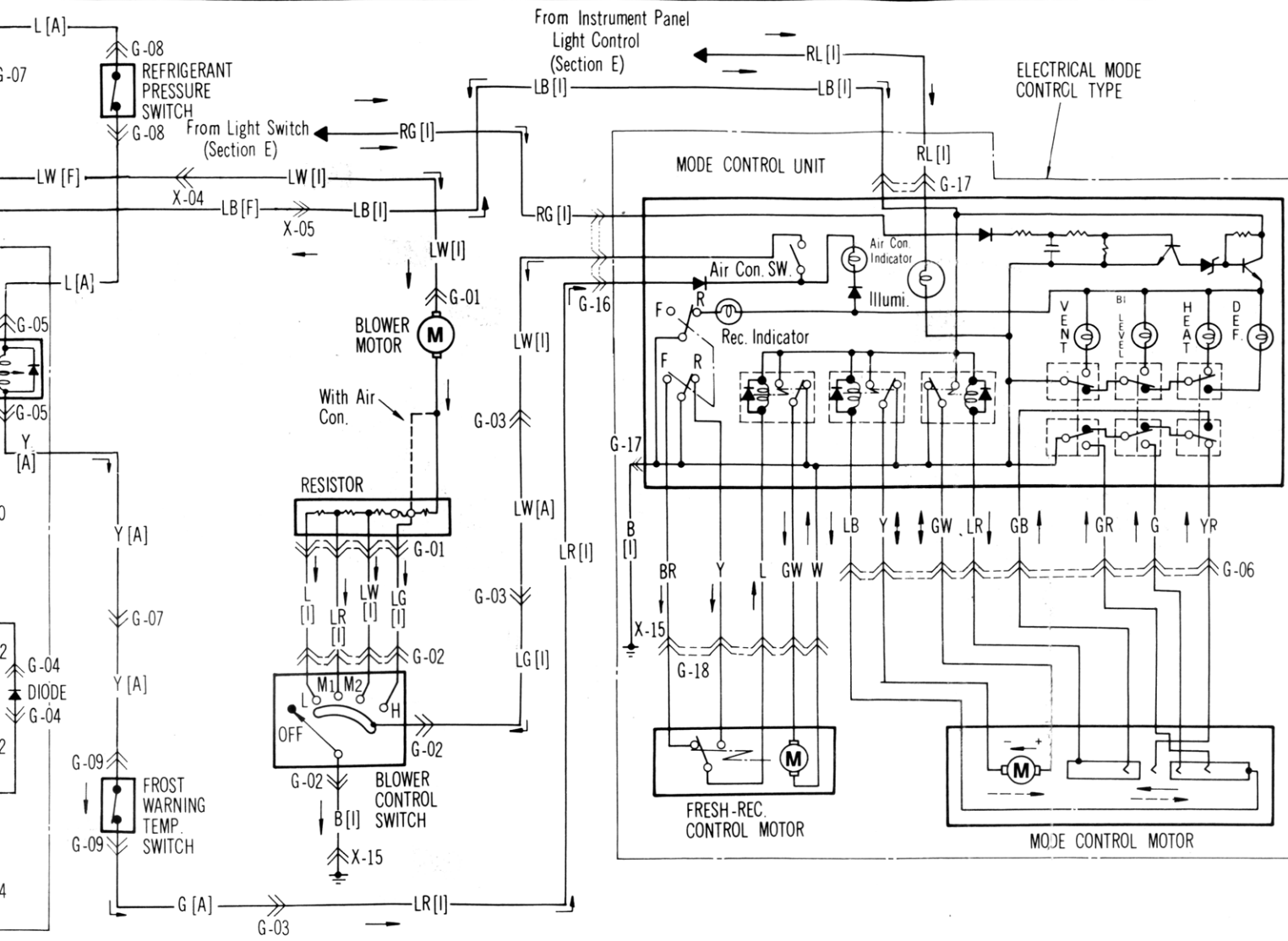
For 12A Engine


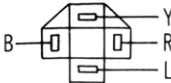
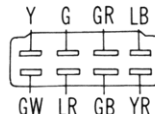
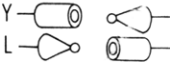
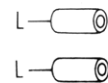
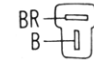
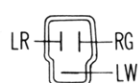
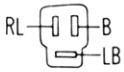
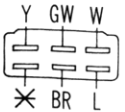


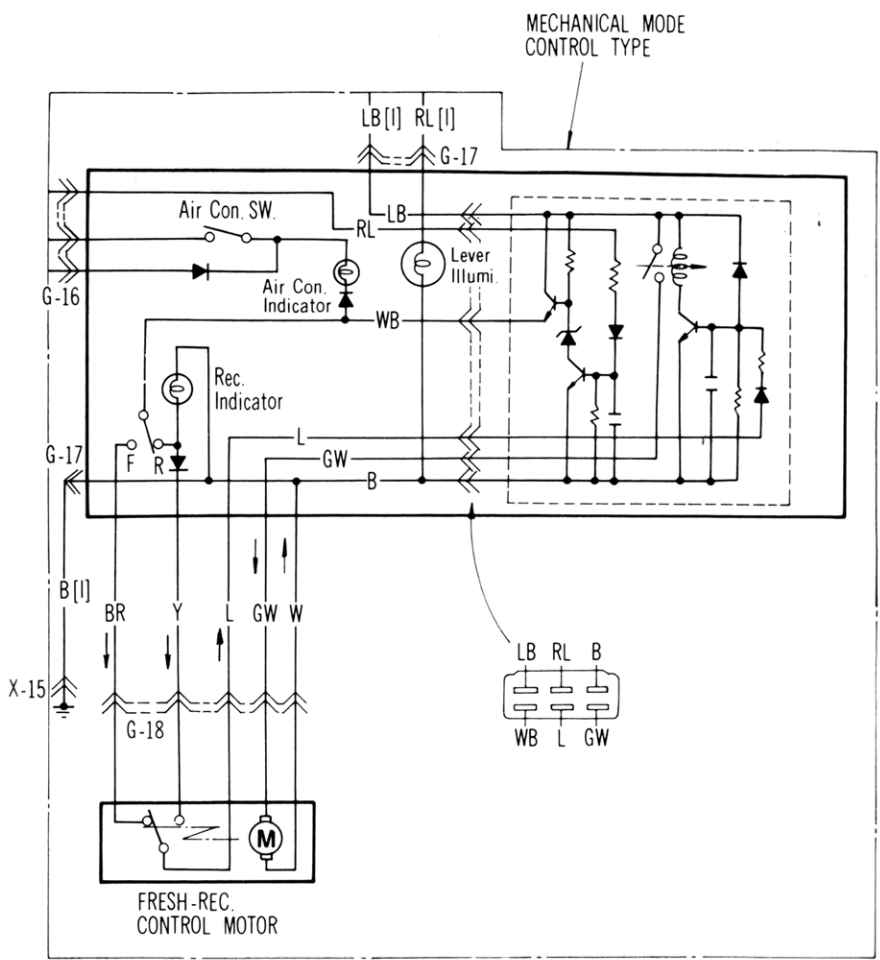
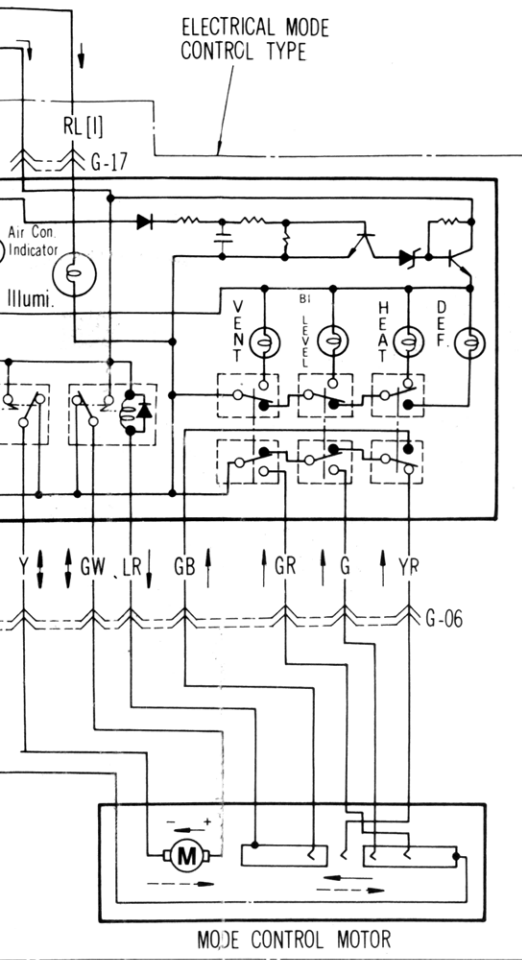


<p>G-01 Blower Motor Unit [I]</p>	<p>G-02 Blower Control Switch [I]</p>	<p>G-03 Connector Between Instrument Panel And Air Con. Harness</p>	<p>G-04 Diode [F] (For 13B Engine)</p>	<p>G-05 No. 1 Air Con. Relay [A]</p>
<p>G-12 No. 2 Air Con. Relay [F] (For 13B Engine)</p>	<p>G-13 Air Con. Cut Relay [F]</p>	<p>G-14 Diode [F] (For 13B Engine)</p>	<p>G-15 Power Steering Oil Pressure Switch [F]</p>	<p>G-16 Air Con. Switch [I]</p>

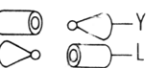
Note: ✕ ... Not Used



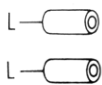
<p>G-04 Diode [F] (For 13B Engine)</p> 	<p>G-05 No.1 Air Con. Relay [A]</p> 	<p>G-06 Mode Control Motor</p> 	<p>G-07 Connector of Air Con. Harness [A]</p> 	<p>G-08 Refrigerant Pressure Switch</p> 
<p>G-09 Frost Warning Temp. Switch [F]</p> 	<p>G-16 Air Con. Switch [I]</p> 	<p>G-17 Mode Control Unit [I]</p> 	<p>G-18 Fresh-Rec. Control Motor</p> 	



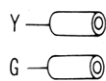
Connector of Air Con. Harness [A]



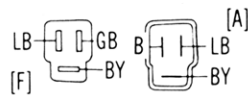
G-08 Refrigerant Pressure Switch [A]



G-09 Frost Warning Temp. Switch [A]



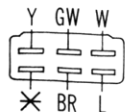
G-10 Connector Between Front And Air Con. Harness

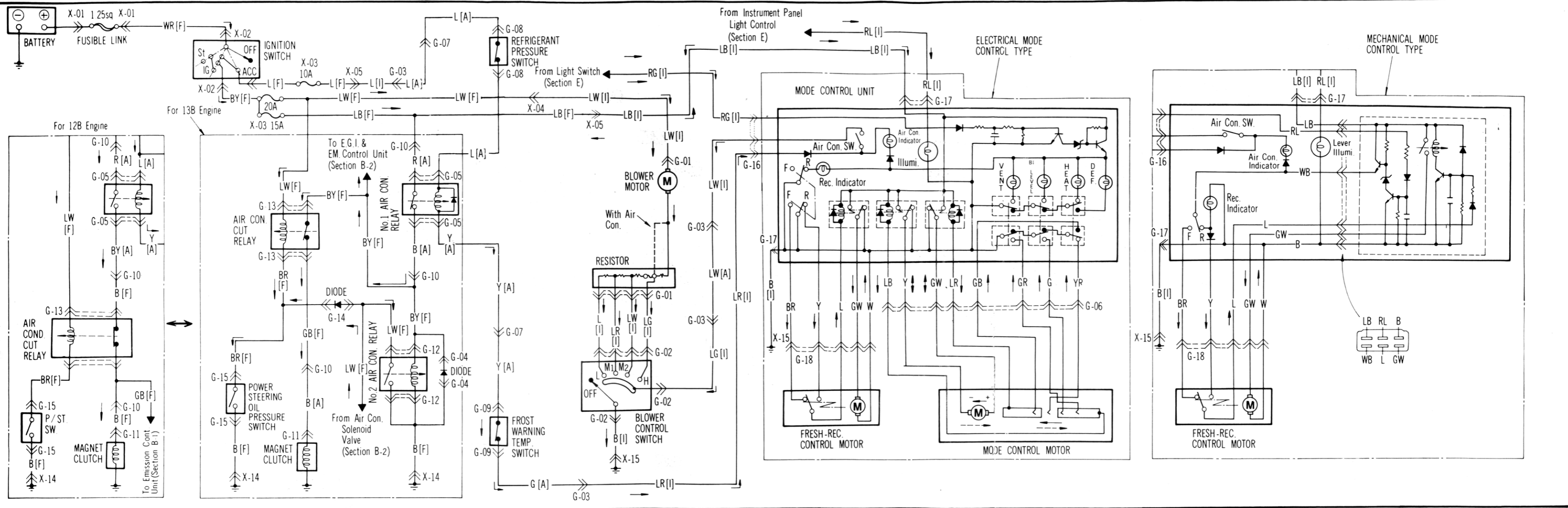


G-11 Magnet Clutch [A]



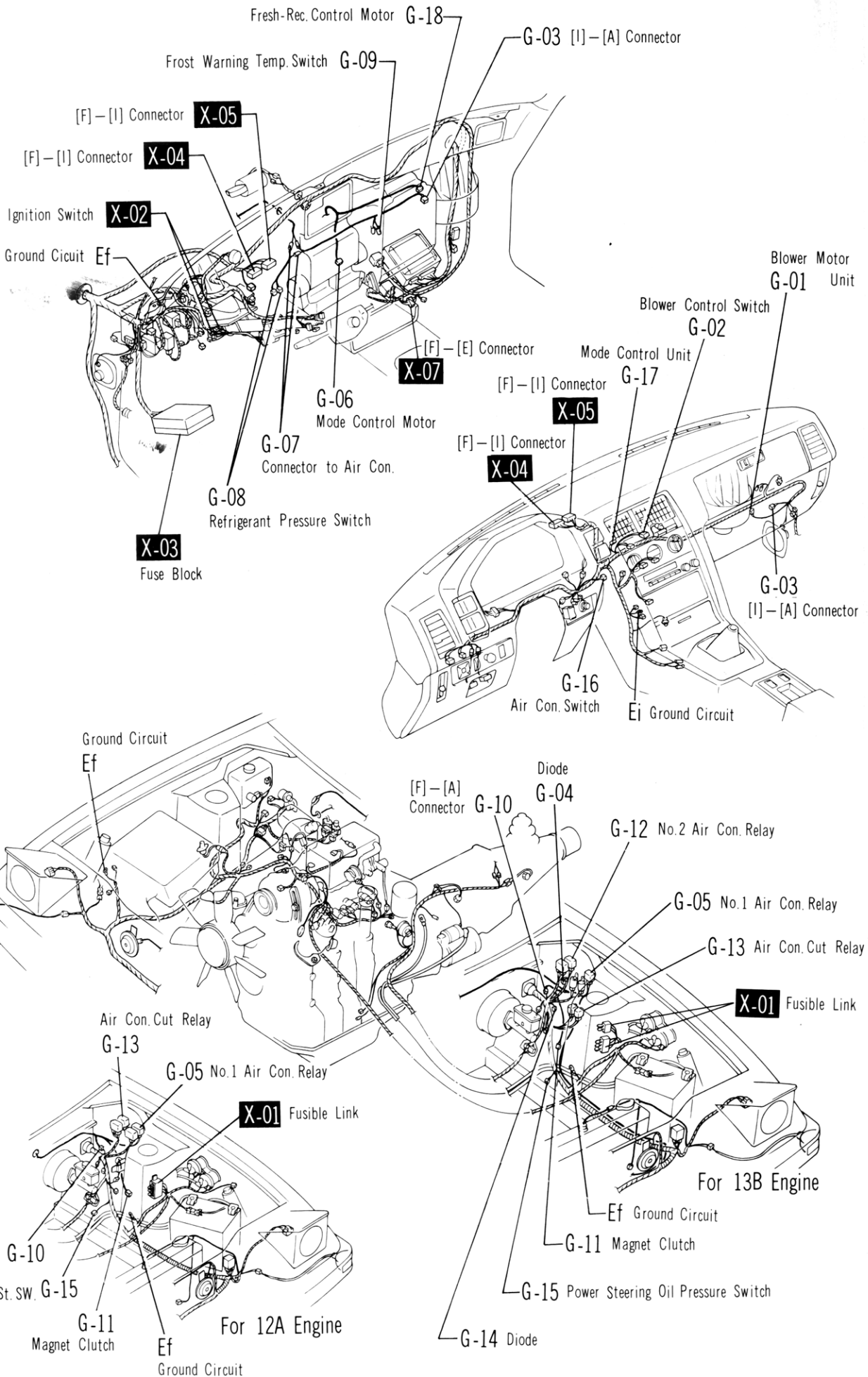
Fresh-Rec. Control Motor



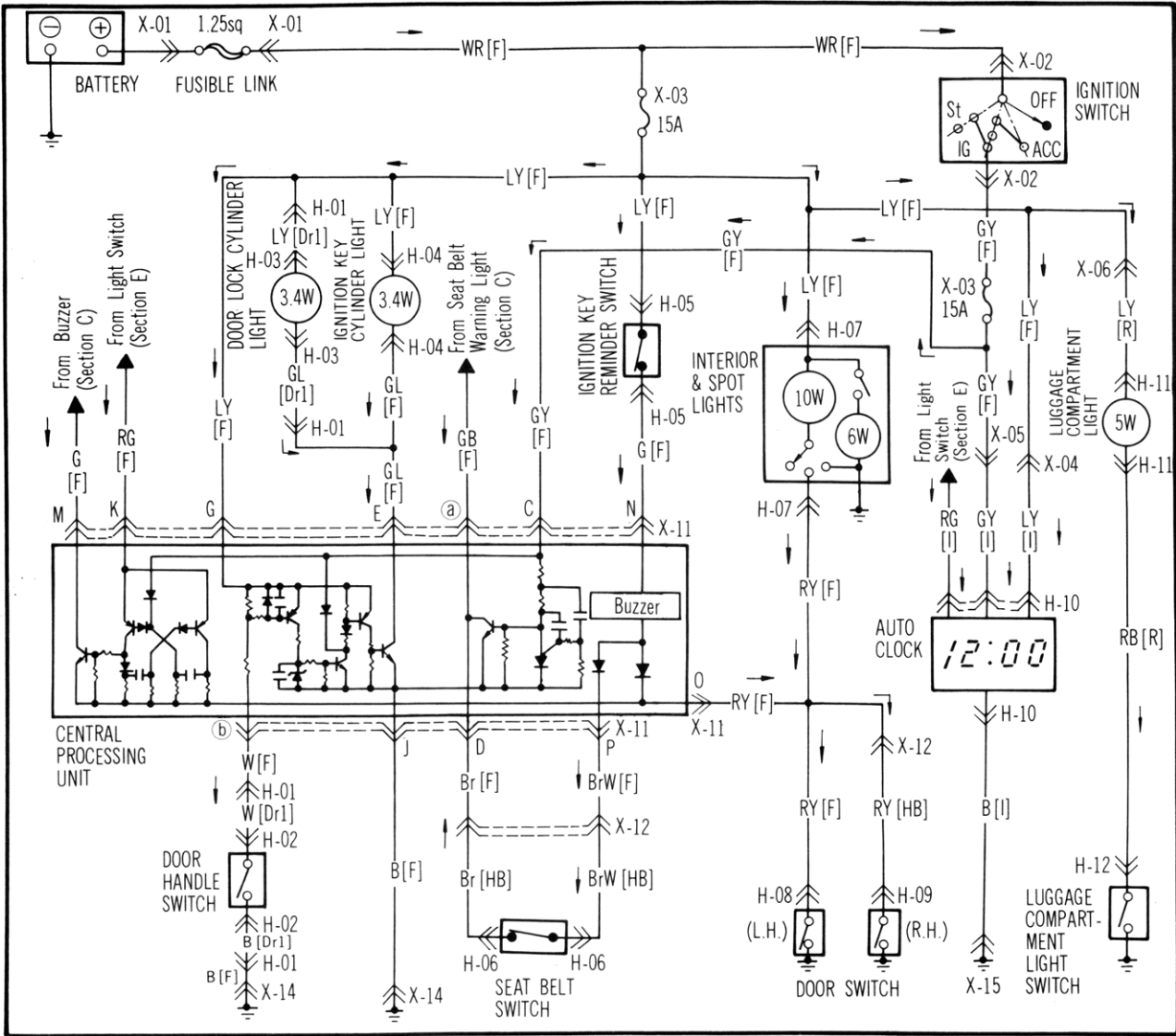


<p>G-01 Blower Motor Unit [I]</p>	<p>G-02 Blower Control Switch [I]</p>	<p>G-03 Connector Between Instrument Panel And Air Con. Harness</p>	<p>G-04 Diode [F] (For 13B Engine)</p>	<p>G-05 No.1 Air Con. Relay [A]</p>	<p>G-06 Mode Control Motor</p>	<p>G-07 Connector of Air Con. Harness [A]</p>	<p>G-08 Refrigerant Pressure Switch [A]</p>	<p>G-09 Frost Warning Temp. Switch [A]</p>	<p>G-10 Connector Between Front And Air Con. Harness</p>	<p>G-11 Magnet Clutch [A]</p>
<p>G-12 No 2 Air Con Relay [F] (For 13B Engine)</p>	<p>G-13 Air Con. Cut Relay [F]</p>	<p>G-14 Diode [F] (For 13B Engine)</p>	<p>G-15 Power Steering Oil Pressure Switch [F]</p>	<p>G-16 Air Con. Switch [I]</p>	<p>G-17 Mode Control Unit [I]</p>	<p>G-18 Fresh-Rec. Control Motor</p>				

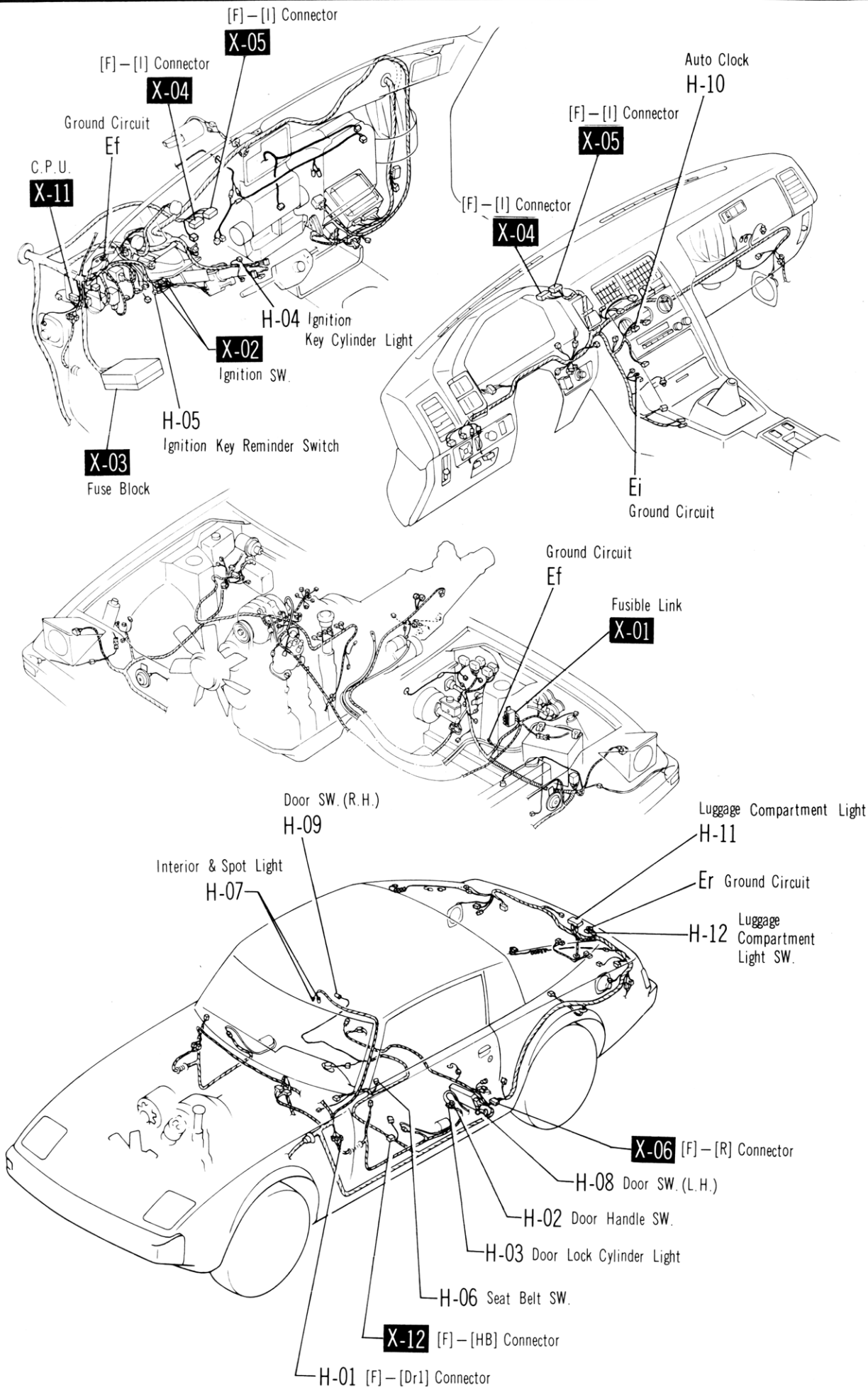
Note ✕...Not Used



- LIGHTS OFF REMINDER BUZZER ■ DOOR LOCK CYLINDER & IGNITION KEY CYLINDER LIGHTS
- IGNITION KEY REMINDER BUZZER ■ INTERIOR & SPOT LIGHTS
- AUTO CLOCK ■ LUGGAGE COMPARTMENT LIGHT ■ SEAT BELT WARNING BUZZER



<p>H-01 Connector Between Front And No.1 Door Harness</p>	<p>H-02 Door Handle Switch [Dr1]</p>	<p>H-03 Door Lock Cylinder Light [Dr1]</p>	<p>H-04 Ignition Key Cylinder Light [F]</p>
<p>H-05 Ignition Key Reminder Switch [F]</p>	<p>H-06 Seat Belt Switch [HB]</p>	<p>H-07 Interior & Spot Light [F]</p>	<p>H-08 Door Switch (L.H.) [F]</p>
<p>H-09 Door Switch (R.H.) [HB]</p>	<p>H-10 Auto Clock [I]</p>	<p>H-11 Luggage Compartment Light [R]</p>	<p>H-12 Luggage Compartment Light Switch [R]</p>
<p>Note: ✕ ... Not Used</p>			



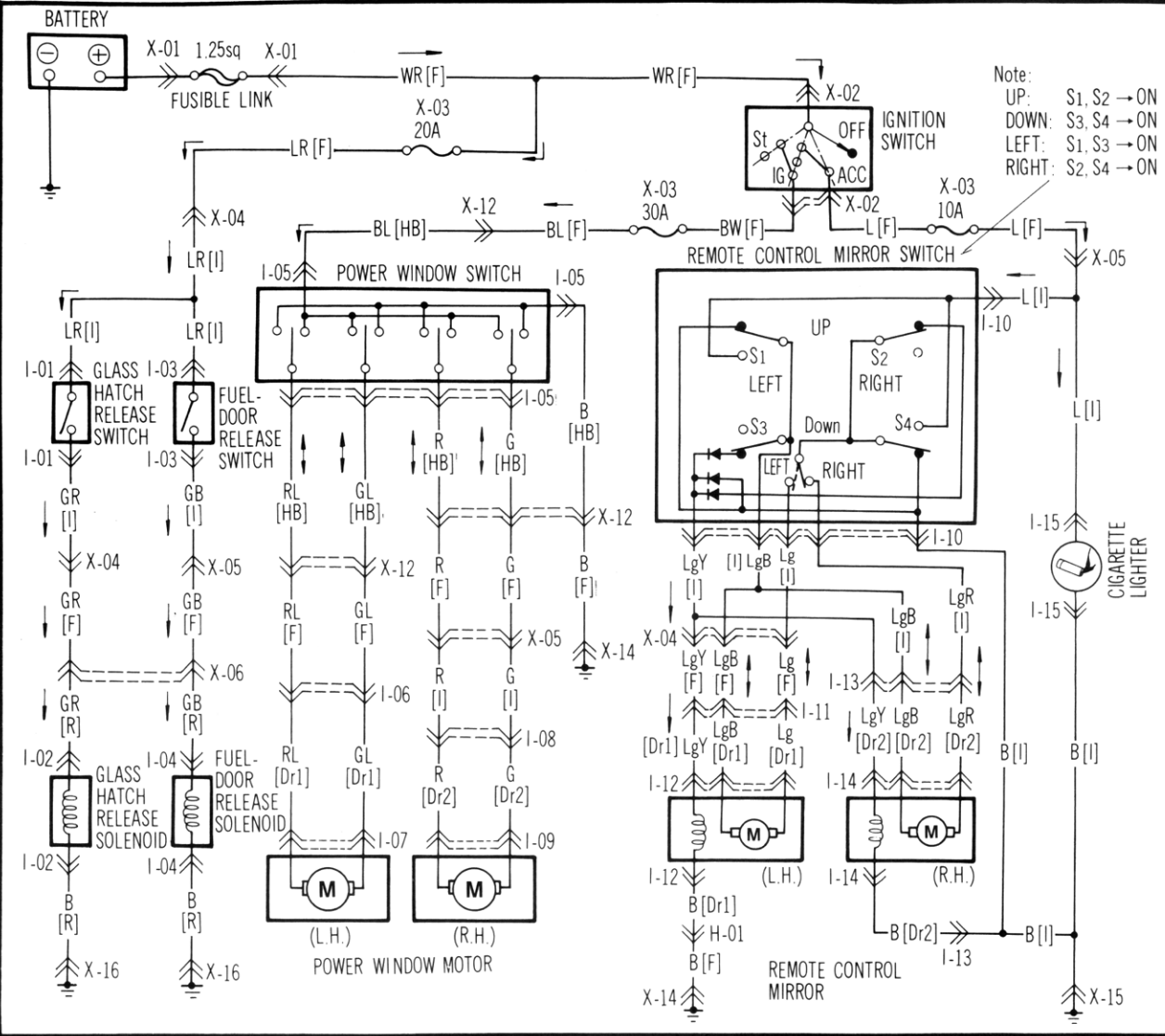
GLASS HATCH RELEASE SOLENOID

FUEL-DOOR RELEASE SOLENOID

POWER WINDOW

REMOTE CONTROL MIRROR

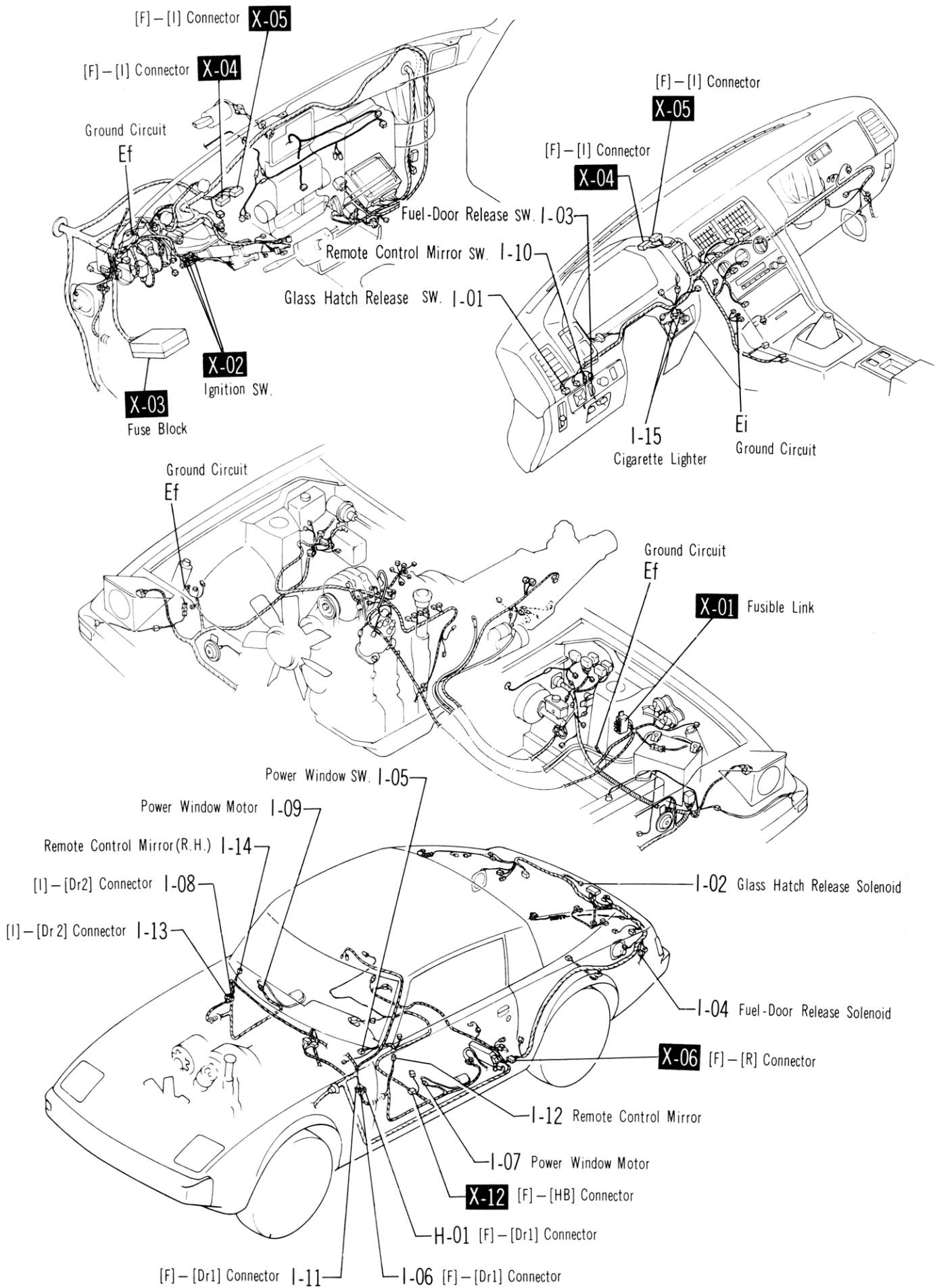
CIGARETTE LIGHTER

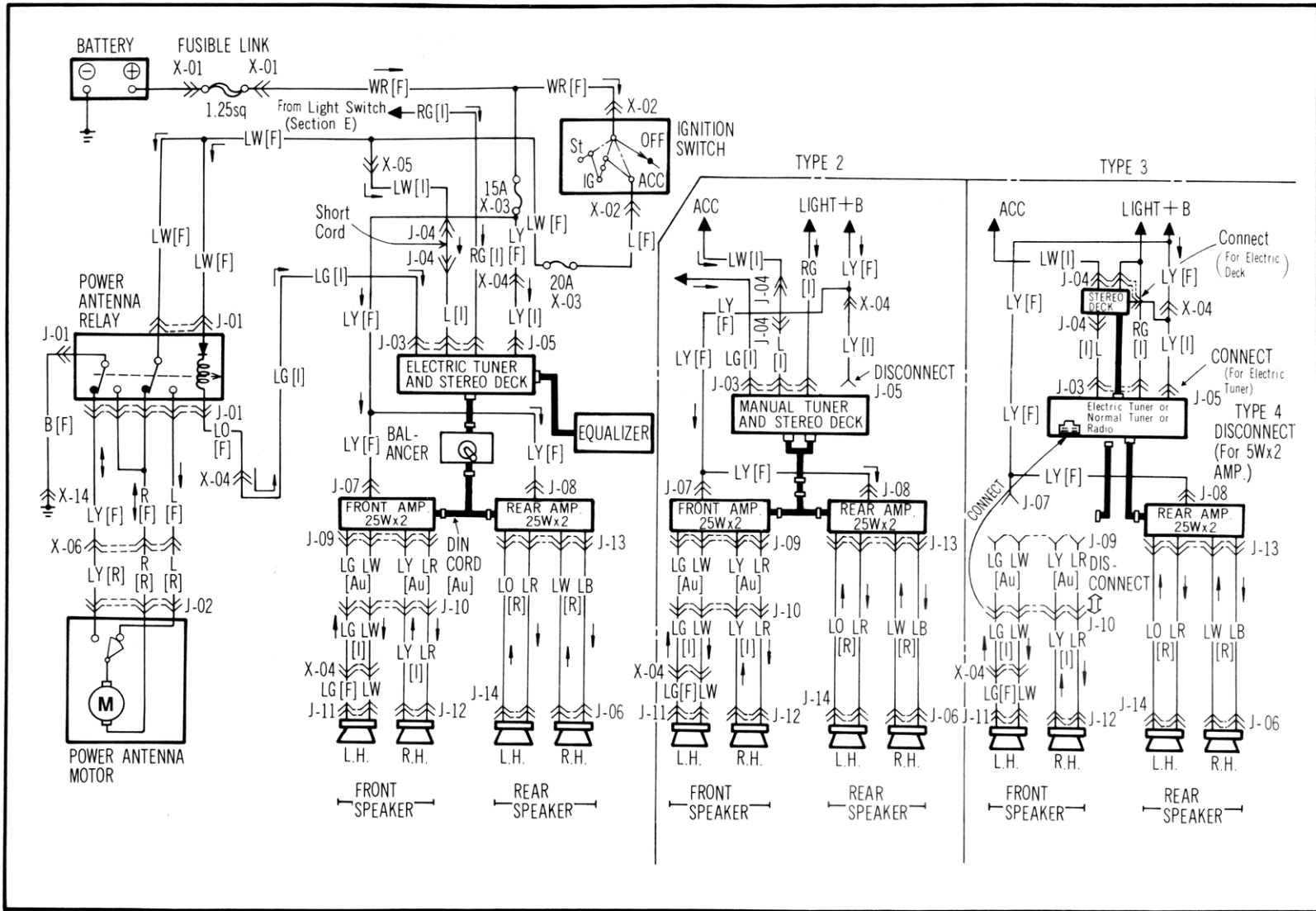


Note:
 UP: S1, S2 → ON
 DOWN: S3, S4 → ON
 LEFT: S1, S3 → ON
 RIGHT: S2, S4 → ON

<p>I-01 Glass Hatch Release Switch [I]</p>	<p>I-02 Glass Hatch Release Solenoid [R]</p>	<p>I-03 Fuel-Door Release Switch [I]</p>	<p>I-04 Fuel-Door Release Solenoid [R]</p>
<p>I-05 Power Window Switch [HB]</p>	<p>I-06 Connector Between Front And No.1 Door Harness</p>	<p>I-07 Power Window Motor (L.H.) [Dr1]</p>	<p>I-08 Connector Between Instrument Panel And No.2 Door Harness [Dr2]</p>
<p>I-09 Power Window Motor (R.H.) [Dr2]</p>	<p>I-10 Remote Control Mirror Switch [I]</p>	<p>I-11 Connector Between Front And No.1 Door Harness [Dr1]</p>	<p>I-12 Remote Control Mirror (L.H.) [Dr1]</p>
<p>I-13 Connector Between Instrument Panel And No.2 Door Harness [Dr2]</p>	<p>I-14 Remote Control Mirror (R.H.) [Dr2]</p>	<p>I-15 Cigarette Lighter [I]</p>	

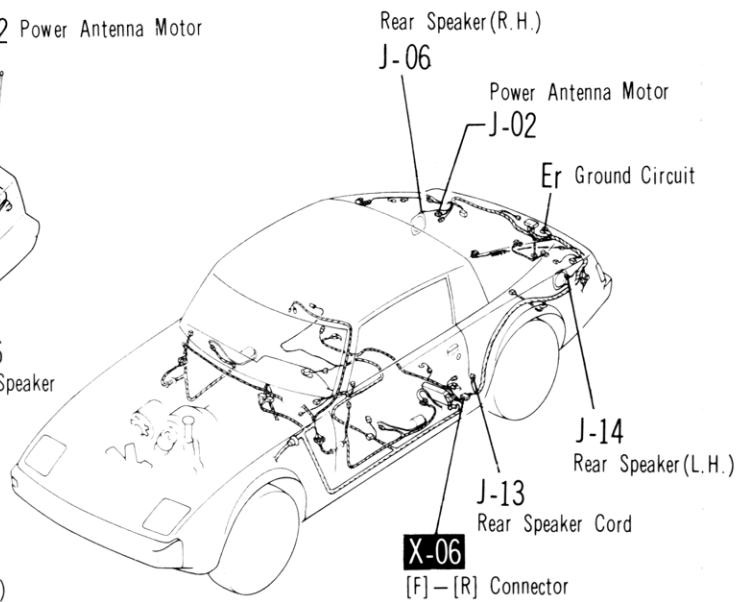
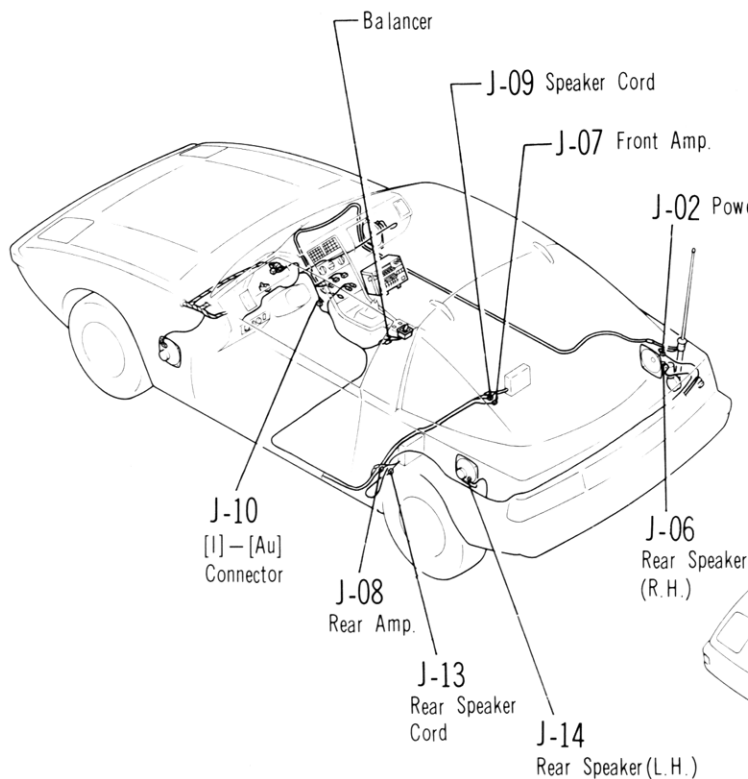
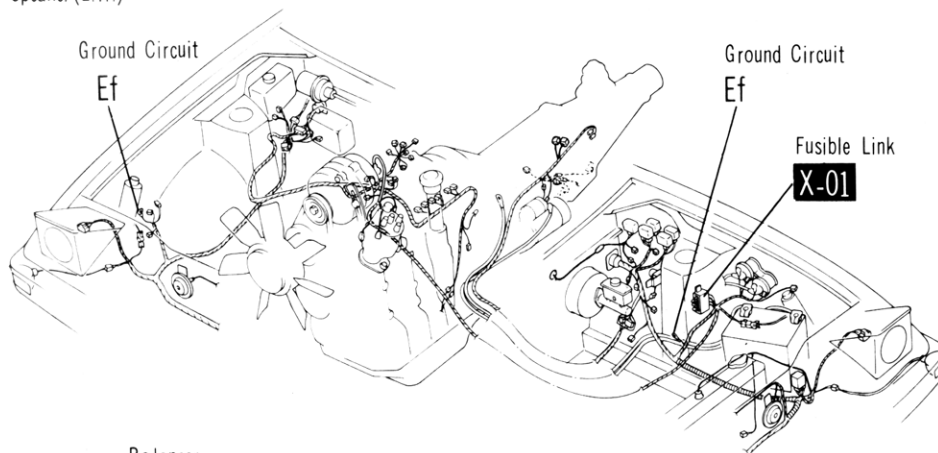
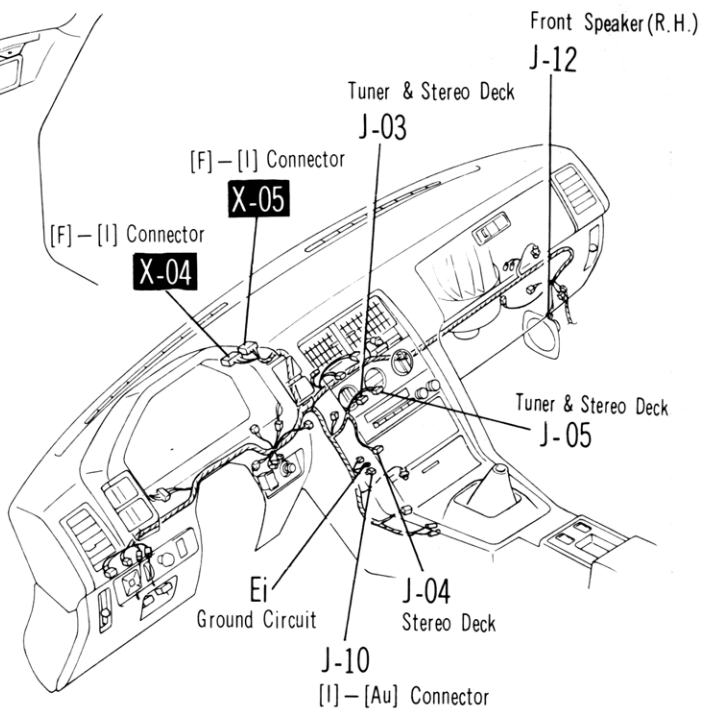
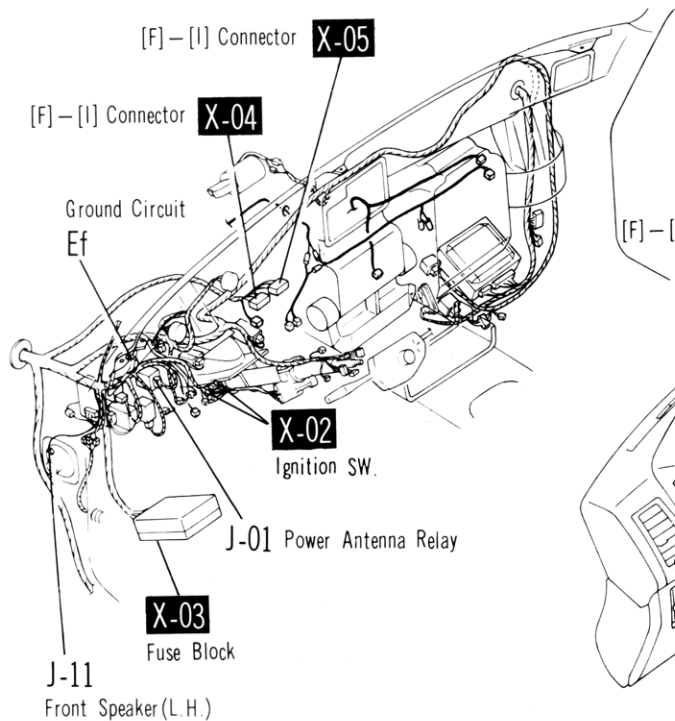
Note: ✕...Not Used

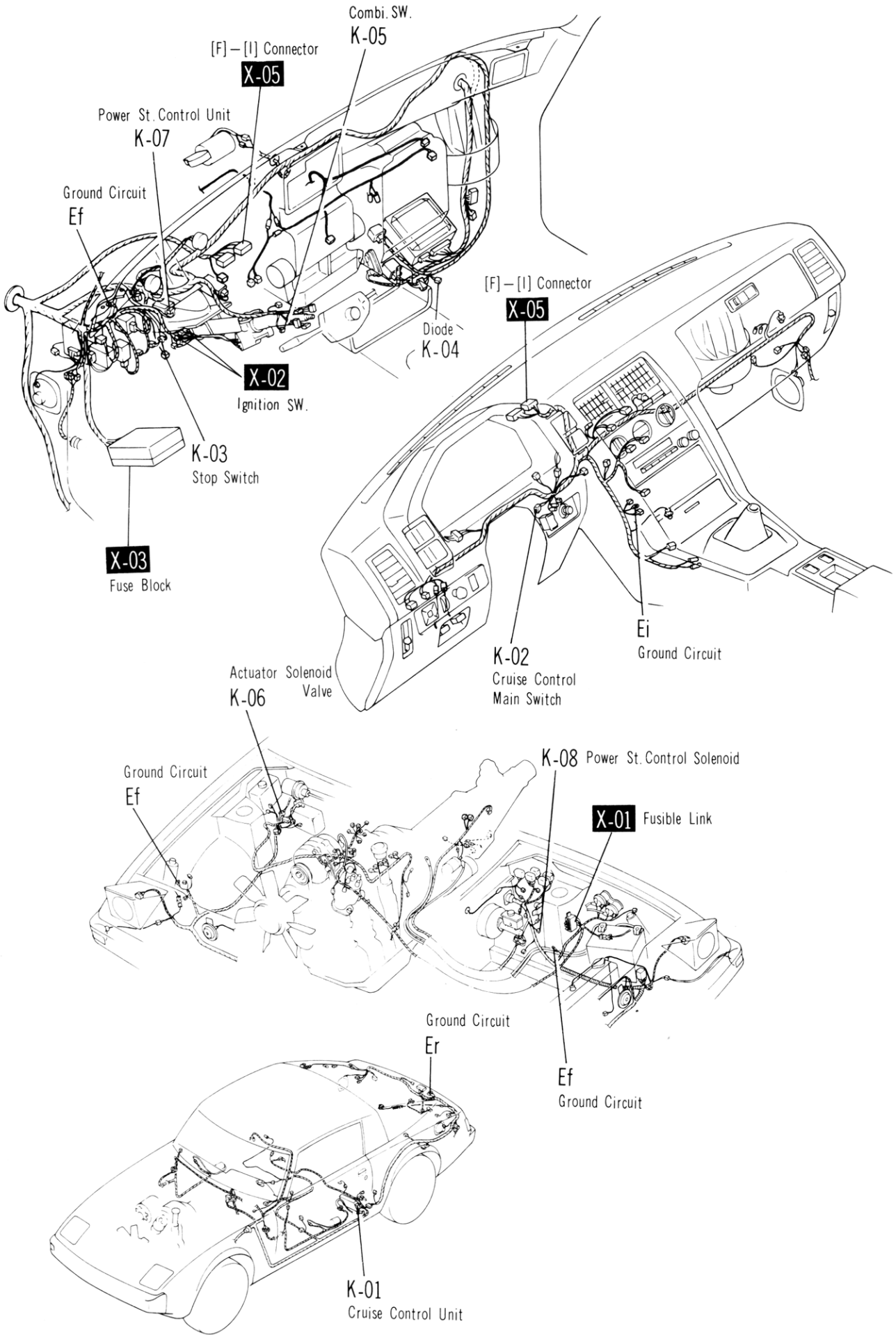




J-01 Power Antenna Relay [F] 	J-02 Power Antenna Motor [R] 	J-03 Tuner & Stereo Deck [I] 	J-04 Stereo Deck [I] (For Type 3, 4) 	J-05 Tuner & Stereo Deck [I]
J-06 Rear Speaker Cord [R] 	J-07 Front Amp. [F] 	J-08 Rear Amp. [F] 	J-09 Speaker Cord [Au] 	J-10 Connector Between Instrument Panel [I] And Audio Harness [Au]
J-11 Front Speaker (L.H.) [F] 	J-12 Front Speaker (R.H.) [I] 	J-13 Rear Speaker Cord [R] 	J-14 Rear Speaker (L.H.) [R] 	

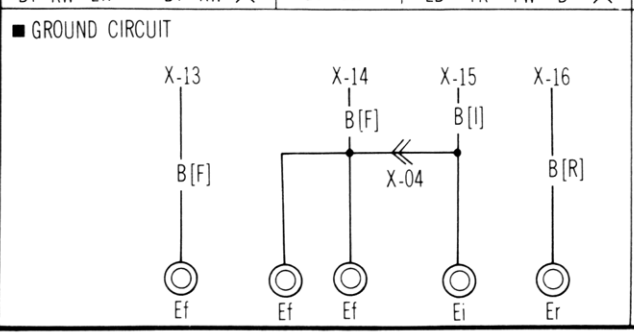
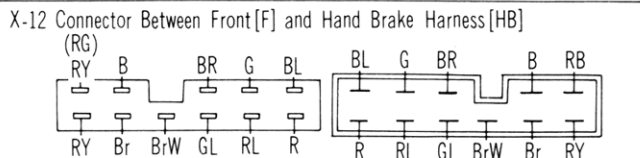
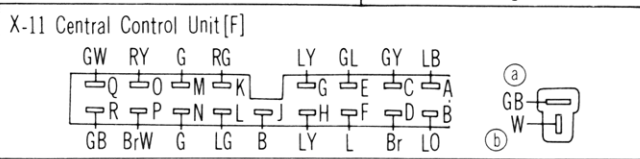
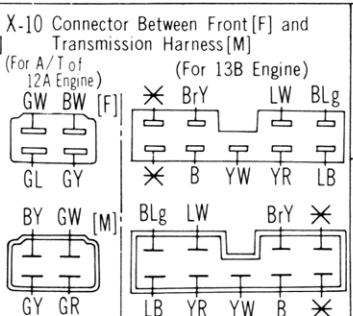
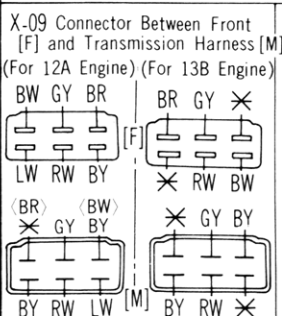
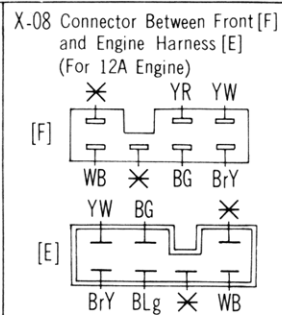
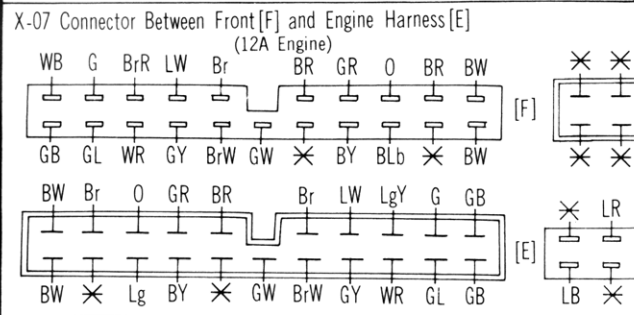
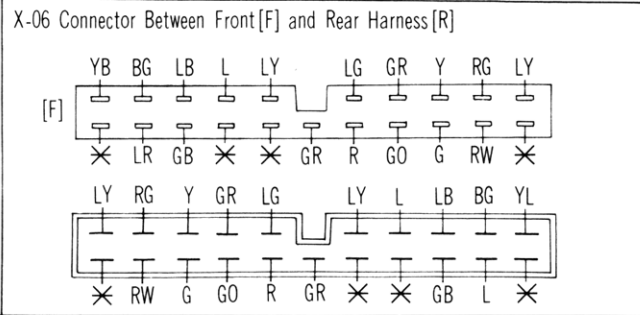
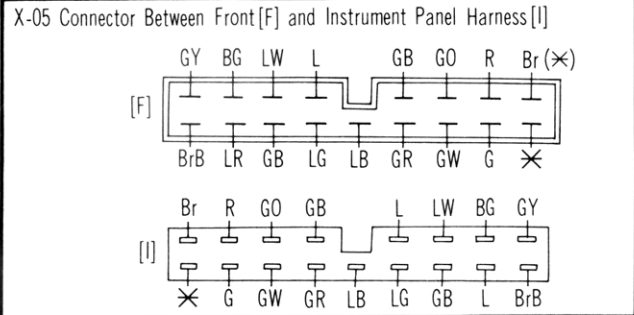
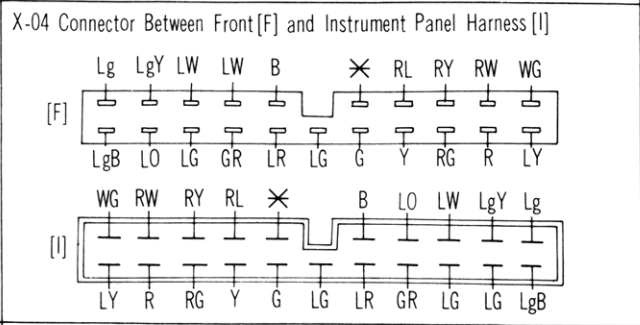
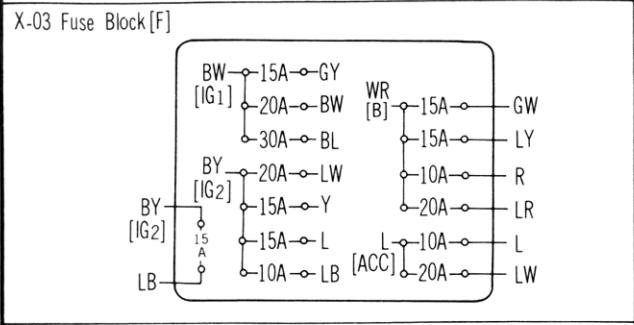
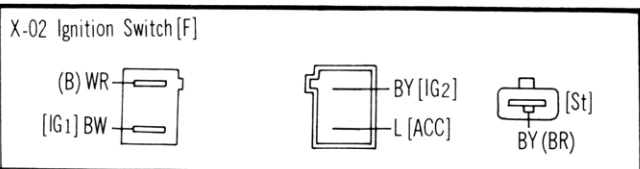
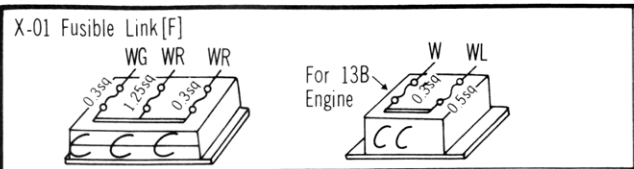
Note: ✕ ... Not Used





COMMON CONNECTOR LIST

Note: Wiring Color
 () ...For 13B Engine
 { } ...For A/T
 ✕Not Used



Note: ✕Not Used

Mazda
RX-7

1984 Wiring Diagram

MAZDA